

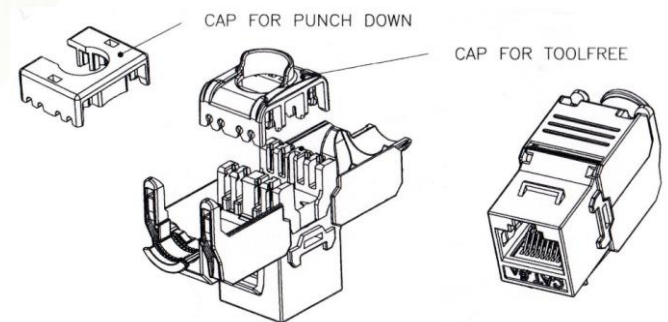
Maxxam Cat 6A Shielded Keystone Jack



- ➔ Independently verified performance
- ➔ Component compliant
- ➔ Easy termination
- ➔ Low profile
- ➔ Use in patch panels and outlets

Features:

- ➔ Independently verified component compliance
- ➔ Die cast metal body
- ➔ Low Profile – 38mm overall depth
- ➔ 360° screen connection
- ➔ Multiple termination options
 - 110, 4pr Termination Tool or Toolless
- ➔ Compatible with all Keystone mounting options
- ➔ 3rd Party verified standards compliance



Product Overview:

The Maxxam Cat 6A Shielded Keystone Jack offers independently verified Cat 6A component compliant performance and supports high speed protocols such as 10G Ethernet. The Jack is backwards compatible to all preceding cabling categories, ensuring support of all IP applications.

The Jack is compatible with a wide range of patch panels and work area fascias, including flat and angled options, and the low profile design enables enhanced cable management in back boxes.

The Jack body is constructed using robust die-cast Zinc offering excellent durability and superior shielding performance.

There are multiple termination options, including Punch down with a 110 tools 4pr termination using the Maxxam Keystone Termination Tool or toolless using the special termination cap and clamshell can design.

Technical Data:

Standards Compliant	ANSI/TIA-568-C.2, ISO/IEC 11801, BS EN 50173
Dimensions	38mm x 16mm x 20mm
Housing	Nickel Plated Die-cast Zinc
RJ45 Contacts	Phosphor Bronze with 50µ Gold over 100µ Nickel Plating
IDC Contacts	Phosphor Bronze with Tin Plating
IDC Wire Gauge	22-26 AWG
RJ45 Life	Minimum 750 mating cycles
Operating Temperature Range	-10 to +60°C
Dielectric Strength	1,000V RMS at 60Hz for 1 minute
Insulation Resistance	500mΩ minimum
Contact Resistance	2mΩ per contact
Relative humidity (Operational)	93% Maximum Non-condensing

Supported Applications:

- ➔ 10Base-T Ethernet
- ➔ 100BASE-TX Fast Ethernet
- ➔ 1000BASE-T Gigabit Ethernet
- ➔ 10GBASE-T 10 Gigabit Ethernet
- ➔ Digital and Analogue Voice
- ➔ ISDN

Ordering Information:

Part No.	Description
XX6A0010	Maxxam Cat 6A Shielded Keystone Jack
XX6A0025	Maxxam Cat 6A Shielded Keystone Jack (25 Pack) with Comfort Tool

Warranty:

The Maxxam 25 year Warranty guarantees Permanent Link and Channel performance to the relevant cabling standard when Maxxam cabling products are installed by a Maxxam Installer Partner. Performance to the relevant cabling standards ensures support of all applications designed to run over the cabling system.

