

Ordering Guide

for FIST-GCO2 product range



Ordering Guide of the Generic Closure Organizer (FIST-GCO2)



This document provides assistance with the selection of FIST Generic Closure Organizers (FIST-GCO2) for use in FIST applications. It includes the following sections:

1 Product description	2
2 Ordering information	3
2.1 Order Quantity / Lead times	3
2.2 How to order this product	3
2.3 Closure name string	4
2.4 Accessories	4
2.5 Installation tools	6
3 Product guide	7
3.1 Closure description	7
3.2 Closure dimensions	Error! Bookmark not defined.
3.3 Closure capacity	10
3.4 Accessories	13

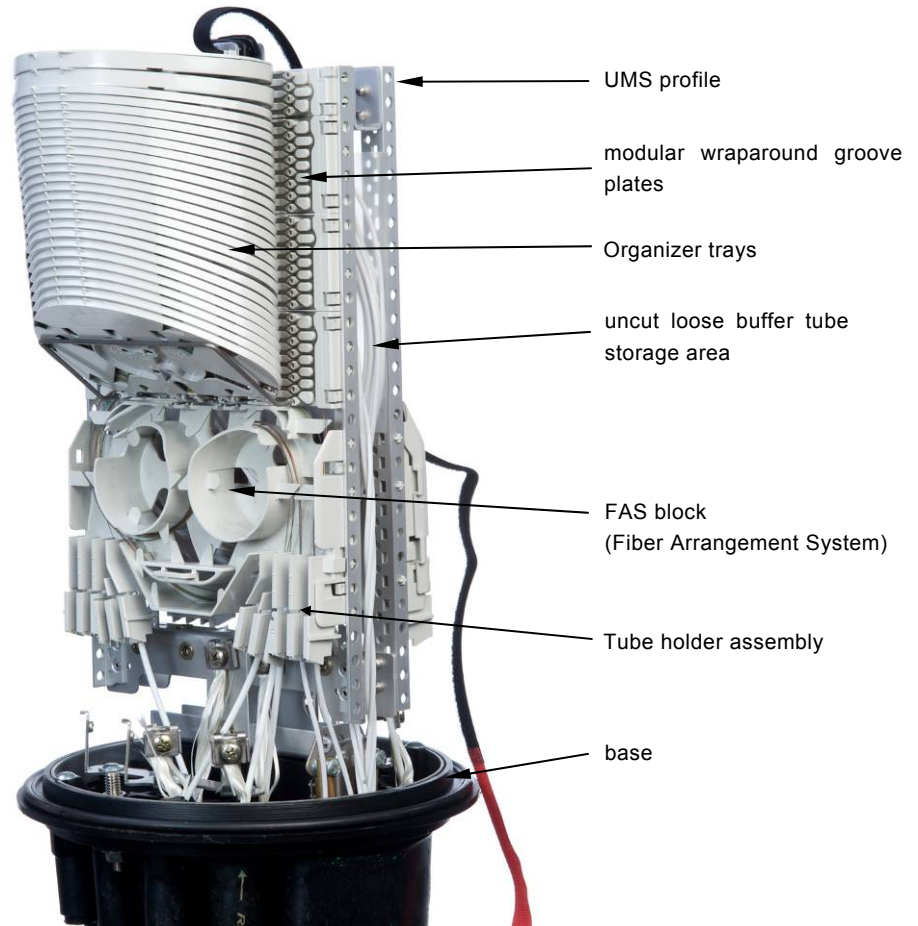


1 Product description

The generic closure FIST-GCO2 is the environmentally sealed enclosure for the fiber management system that provides the functions of splicing and passive component integration in the external network.

The product can be tailored to almost any required configuration by adding splicing and/or passive device sub-assemblies.

The FIST-GCO2 has provision for all cable termination and sealing requirements.



The closure is a single-ended design made of a thermoplastic material. The base and dome are sealed with a clamp (or latches) and an O-ring system. One oval entry port for looped (uncut) cable and 6 or 16 round ports for single cable entry/exit are provided in the base. (8 round or 6 + 1 oval port for GCO2-FX version)

The cable seals are manufactured from heat-shrinkable or gel material. The UMS (Universal Mounting System) profiles provide the foundation for mounting combinations of SOSA2 (Splicing Only Sub-Assembly) and/or SASA2 (Splitter Array Sub-Assembly) modules, which consist of a modular groove plate and trays.

Uncut loose buffer tube storage space is available between (or behind) the (two) UMS profile(s); for central core applications, storage baskets are available (for GCO2-BX only)

2 Ordering information

2.1 Order Quantity / Lead times

Products and accessories are grouped in three classes.

<u>Class A</u>	standard products, small MOQ
<u>Class B</u>	standard products, standard MOQ
<u>Class C</u>	special products, higher MOQ, longer lead times, due to the lead time of the specific components in those products

The class of a component or accessory provides additional information on:

<u>MOQ</u>	Minimum Order Quantity
<u>SPQ</u>	Standard Packaging Quantity

Table 1 Component classification overview

		A		B		C	
		MOQ	SPQ	MOQ	SPQ	MOQ	SPQ
Closures	BC//FC/FD	1	1	12	1	12	1
	BD/BE	1	1	9	1	9	1
Accessories		1	1	See accessories list			

MOQ and SPQ are used to calculate the correct order quantity of the desired component and/or accessory:

$$\text{Order quantity} = \text{MOQ} + n \times \text{SPQ} \quad (n \geq 0)$$

2.2 How to order this product

2.2.1 Order closure and accessories separately

For maximum flexibility, the closure (paragraph 2.3) and the accessories (paragraph 2.4) can be ordered as separate items.

Note that only following closures can be ordered by single piece (Closure Class A):

- | | | |
|--------------------|--------------------|---------------------|
| ▪ FIST-GCO2-BC6-NN | ▪ FIST-GCO2-FC6-GV | ▪ FIST-GCO2-BC16-NN |
| ▪ FIST-GCO2-BC6-GV | ▪ FIST-GCO2-FC8-NN | ▪ FIST-GCO2-BC16-GV |
| ▪ FIST-GCO2-BD6-NN | ▪ FIST-GCO2-FC8-GV | ▪ FIST-GCO2-BD16-NN |
| ▪ FIST-GCO2-BD6-GV | ▪ FIST-GCO2-FD6-NN | ▪ FIST-GCO2-BD16-GV |
| ▪ FIST-GCO2-BE6-NN | ▪ FIST-GCO2-FD6-GV | ▪ FIST-GCO2-BE16-NN |
| ▪ FIST-GCO2-BE6-GV | ▪ FIST-GCO2-FD8-NN | ▪ FIST-GCO2-BE16-GV |
| ▪ FIST-GCO2-FC6-NN | ▪ FIST-GCO2-FD8-GV | |

2.2.2 Order a customized kit

Customer specific kits can be created using the closure name string (paragraph 2.3) and the accessories list (paragraph 2.4).

Note that a customized closure kit is always class B or C:

- The classification of the kit is B if all subcomponents are class A or B.
- The classification of the kit is C if one or more subcomponents are class C

2.3 Closure name string

FIST-GCO2 - XX X - XX

Closure size

		Class
BC	488 mm long 2 x 28 units UMS	A
BD	566 mm long 2 x 42 units UMS	A
BE	700 mm long 2 x 58 units UMS	A
FC	384 mm long 1 x 16 units UMS	A
FD	432 mm long 1 x 24 units UMS	A

round ports

		Class
6	6 ports (max. cable ø 30 mm)	A
16	8 ports (max. cable ø 13.5 mm)	A
	8 ports (max. cable ø 20 mm) for BX only	
8	8 ports (max. cable ø 30 mm) for FX and FD only	A

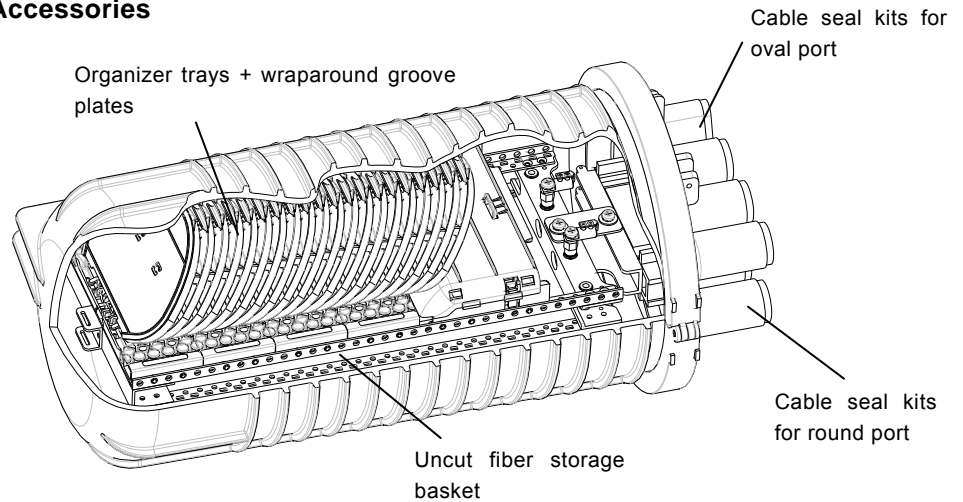
Flash test for grounding

	Class
NN No ground feed-through No flash test valve	A
GV Pre-mounted ground feed-through Pre-mounted flash test point in dome	A
NV No ground feed-through Pre-mounted flash test point in dome	B
GN Pre-mounted ground feed-through No flash test valve	B

Base kit content (): for FC and FD size

- Base
- 2 (1) UMS profiles; height depending on closure size
- Dome
- Clamp (latches)
- O-ring
- 2x (1x) FAS block (including 2 tube holders each, cap and wedge) - pre-installed
- 2x (1x) hook-loop-fastener
- 2x (1x) tray lid (including fiber guiding pin)
- Silica gel
- Allen key
- Installation Instructions

2.4 Accessories



2.4.1 Cable seal kits for the oval port

Name	Description	BX	FX	Class	MOQ	SPQ
Heat shrink seals						
FIST-GCO2-OSK-LTS	Oval port seal kit for single fiber loose tube cable	X	X	A	1	1
FOSC-CSEAL-2NW	Wraparound cable seal for any oval port (repair or re-entry).	X	X	B	1	1
FIST-GCO2-OSK-CC	Oval port seal kit for central core cable (both single fiber and ribbon)	X	X	B	1	1
FIST-GCO2-OSK-LTR	Oval port seal kit for loose tube ribbon cable	X	X	C	20	1
Gel seals ¹						
FIST-OSKG	Oval port gel seal kit for single fiber loose tube cable Ø 6 - 18 mm, with strength member and jacket fixation	X	X	A	1	1

2.4.2 Cable seal kits for the round ports (6 or 8 round-port-base: port Ø 30mm)

Name	Description	BX	FX	Class	MOQ	SPQ
Gel seals ²						
FIST-RSKG-1	single cable gel seal kit 1xØ (11 – 14) mm, with strength member and jacket fixation	X	X	A	1	1
FIST-RSKG-2	multi cable gel seal kit 2 x Ø (8 to 10) mm, with strength member and jacket fixation	X	X	A	1	1
FIST-RSKG-4	multi cable gel seal kit 4 x Ø (4 to 7) mm, with strength member and jacket fixation	X	X	A	1	1
FIST-RSKG-8	multi cable gel seal kit 8 x Ø (3 to 5) mm, with jacket fixation	X	X	A	1	1
FIST-RSKG-16	multi cable gel seal kit 16 x Ø max 3mm, with aramid yarns Term. Unit	X	X	A	1	1
FIST-RSKG-4F	multi cable gel seal kit 4 x (flat 11 x 6.5)mm, with strength member and jacket fixation	X	X	C	1	1
Heat shrink seals						
FIST-GCO2-RSK-LTS	Round port seal kit for single fiber loose tube cable	X	X	A	1	1
FOSC-CSEAL-1NW	Wraparound cable seal sleeve for use on any round port (repair or re-entry).	X	X	B	1	1
FIST-GCO2-RSK-CC	Round port seal kit for central core cable (both single fiber and ribbon)	X	-	B	18	1
FIST-GCO2-RSK-LTR	Round port seal kit for loose tube ribbon cable	X	X	C	18	1
FIST-GCO2-MULTI2/9	Multi drop cable kit for 1 cable (max. 14 mm) and 2 tubes (max. Ø 9.5 mm) (only for single fiber – loose tube)	X	X	C	10	10
FIST-GCO2-MULTI2/11	Multi drop cable kit for 1 cable (max. 14 mm) and 2 tubes (max. Ø11.5 mm) (only for single fiber – loose tube)	X	X	C	10	10
FIST-GCO2-MULTI2/12	Multi drop cable kit for 1 cable (max. 12 mm) and 2 tubes (max. Ø 12 mm) (only for single fiber – loose tube)	X	X	C	10	10
FIST-GCO2-MULTI3/9	Multi drop cable kit with 3 tubes (max. Ø9.5mm) (only for single fiber – loose tube)	X	X	C	10	10
FIST-GCO2-MULTI3/11	Multi drop cable kit with 3 tubes (max. Ø11.5mm) (only for single fiber - loose tube)	X	X	C	10	10
FIST-GCO2-MULTI-SEAL	Cable seal to seal the cable onto the tube (only for single fiber - loose tube)	X	X	C	1	1
FIST-GCO2-MULTI-UCT	Multi termination plate with 3 strength member fixations for use with the MULTI3 kits (only for single fiber - loose tube)	X	X	C	10	10

¹ Seals only to 2m water head and 20kPa (according RUD 5391 for cold mini gel seals)

² Seals only to 2m water head and 20kPa (according RUD 5391 for cold mini gel seals)

2.4.3 Cable seal kits for the round port (16-round-port-base: port Ø 13.5 or 20mm)

Name	Description	BX	FX	Class	MOQ	SPQ
FIST-GCO2-RSK-16-LTS	Round port seal kit for loose tube cable (single fiber or ribbon)	X	-	A	1	1
FOSC-CSEAL-1NW	Wraparound cable seal sleeve for use on any round port (repair or re-entry).	X	-	B	1	1
FIST-GCO2-RSK-16-CC	Round port seal kit for central core cable (single fiber or ribbon)	X	-	C	18	1

2.4.4 Cable termination accessories

Name	Description	BX	FX	Class	MOQ	SPQ
FACC-UCT-10	Strength member fixation kit (10pc / pack)	X	X	A	1	1
FIST-CU-TERM8	8 Cu pair termination disconnect module	X	-	C	10	10
FIST-GCO2-BX6-EXT/CF	External cable fixation bracket for GCO2-BX	X	-	C	1	1
FIST-GCO2-FX6-EXT/CF	External cable fixation bracket for GCO2-FX	-	X	C	1	1

2.4.5 Mounting kits & work stands.

See the MOBRA ordering guide.

2.4.6 Organizer trays

See the FIST-SOSA2 ordering guide.

2.4.7 Storage baskets

Name	Description	BX	FX	Class	MOQ	SPQ
FIST-BASKET-A	Storage basket for uncut fibers of a loose tube ribbon or central core cable (size BC)	X	-	B	1	1
FIST-BASKET-B	Storage basket for uncut fibers of a loose tube ribbon or central core cable (size BD & BE)	X	-	B	1	1

2.4.8 Installation kit components

Name	Description	BX	FX	Class	MOQ	SPQ
FISTV-E7185-3010-S5027	Cutting wire to open the GCO ports (50m)	X	X	B	1	1
E7100-0075(B10)	Silica gel for inside the closure, to be replaced after each re-entry	X	X	B	10	10

2.4.9 Extension kits

Name	Description	BX	FX	Class	MOQ	SPQ
FIST-GCO2-BC2BD-V-EP-01	Extension kit from a BC to BD closure, containing an extra UMS profile, clamp and BD dome.	X	-	B	1	1
FIST-GCO2-BC2BE-V-EP-01	Extension kit from a BC to BE closure, containing an extra UMS profile, clamp and BE dome.	X	-	B	1	1
FIST-GCO2-BD2BE-V-EP-01	Extension kit from a BD to BE closure, containing an extra UMS profile, clamp and BE dome.	X	-	B	1	1

2.5 Installation tools

See the TOOLS ordering guide.

3 Product guide

3.1 Closure description

Dome

The dome is made from a polymer, ribbed for extra strength.



GC20G010.JPG 7P2P1752.JPG

Base

The base provides the foundation for the UMS profiles and is available in 4 versions:

GCO2-BX type

- 6 round ports and one oval port for cable entry/exit
- 16 round ports and one oval port for cable entry/exit



GCOCAT09.JPG



7N3K0142.JPG

GCO2-FX type

- 8 round ports, without oval port for cable entry/exit
- 6 round ports and one oval port for cable entry/exit



7P2P4591.JPG



7P2P4591.JPG



GC20G009.JPG

Dome to base seal

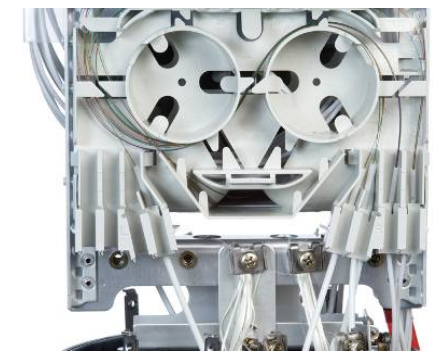
This seal consists of a mechanical clamp and a rubber O-ring.



GC20G002.JPG

UMS (Universal Mounting System) profiles

On the 2 (1) UMS profiles, the wraparound groove plates can be clicked. The capacity of the UMS profile is defined by the closure size. Groove plates are available for single fiber, R4/8 and R12 and in different sizes. See SOSA2 ordering guide for more details.



FAS block

The window between the two FAS blocks is used to route fibers from one side of the FAS block to the other (for -BX size only). Tube holders mounted on each side of the FAS block hold the loose tubes or spiral tubes in position.



FAS block cap

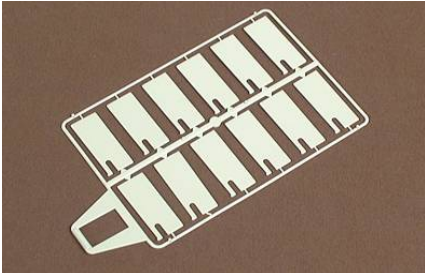
A FAS cap protects mechanically the fibers on the FAS block. Provision has been made to store the tray wedge.

GC020G29.JPG



Tube holder

On every side of the FAS block, tube holders are provided to keep tubes coming from the cables in place. Twelve cavities provide a neat organization of the tubes. The total capacity depends on the tube diameter (see paragraph 3.3.1).



GC020G28.JPG

Retainers for tube holders

The retainers have to be slid into the tube holders. They are delivered in a set of 12. Spare retainers can be stored on the tray lid.

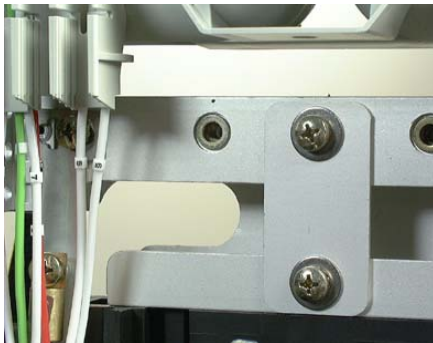


GC20G005.JPG

Expressed fiber storage area

The area between the UMS profiles is used to store uncut loose buffer tubes (for -BX size only). The looped cable is fed through the oval port.

For central core cable, storage baskets provide the necessary protection of the fibers (for -BX size only).



GC20G006.JPG

Loose tube drop cable strength member fixation point

The central strength member of each individual cable can be attached at this point.



GCOCAT09.JPG

Ground feed-through (optional)

A sealed grounding feed-through bolt can be pre-mounted in the base to connect metallic components to an external ground.



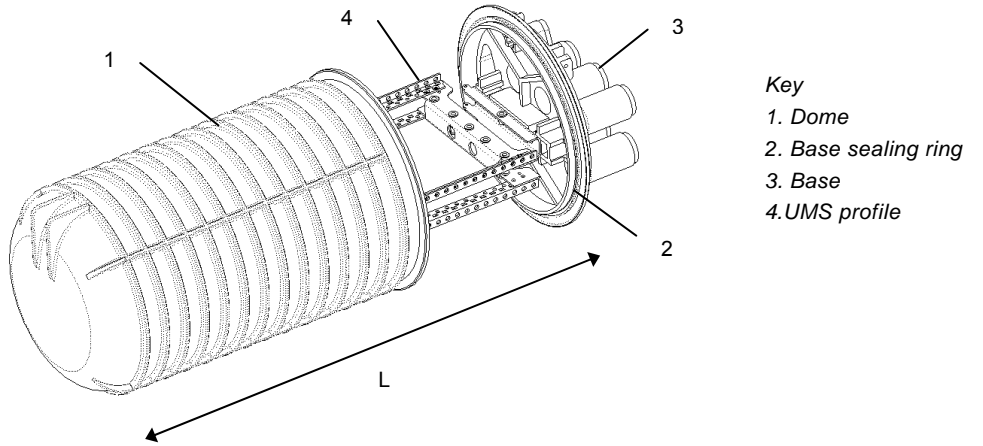
GCOCAT10.JPG

Flash test valve (optional)

This is pre-mounted in the dome if pressure access is required.

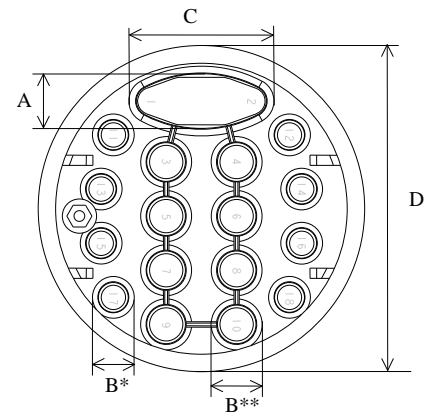
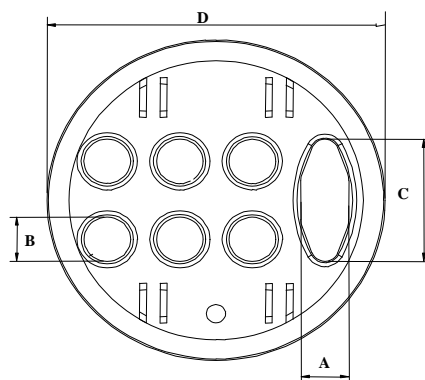
3.2 Closure dimensions

3.2.1 GCO2-BX version



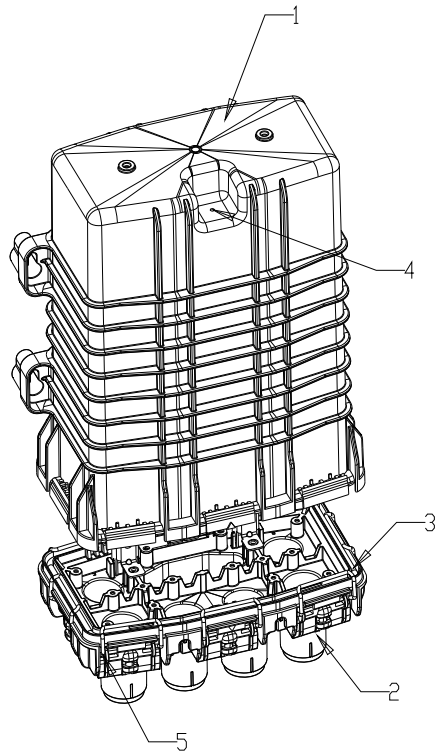
Key

- 1. Dome
- 2. Base sealing ring
- 3. Base
- 4. UMS profile



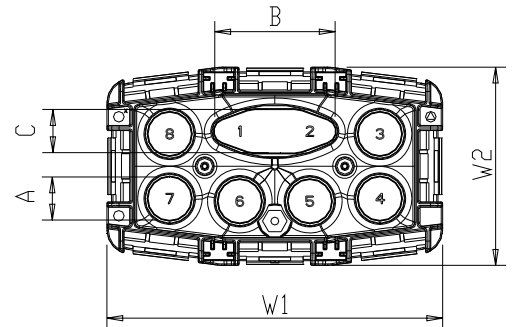
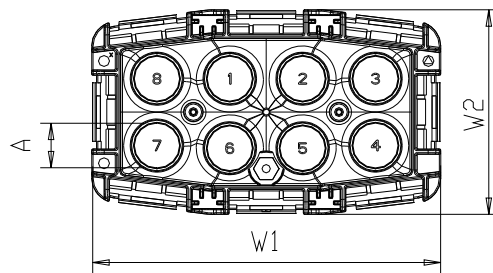
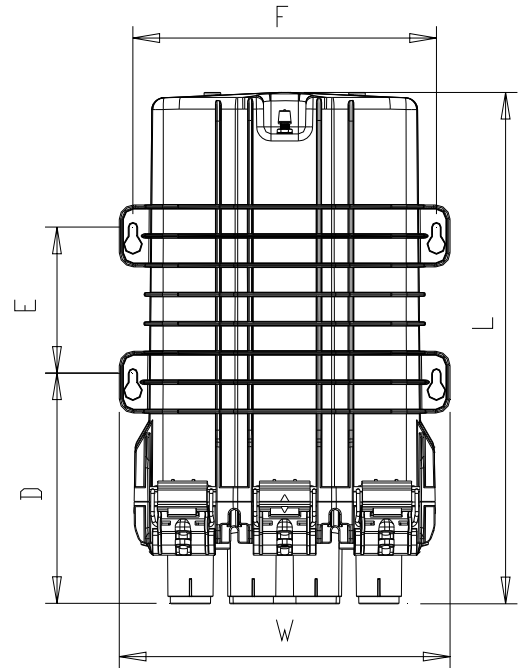
Dimensions in mm	Closure type		
	BC	BD	BE
L	488	566	700
A	30	30	30
B (B**/B*)	30 (20/13.5)	30 (20/13.5)	30 (20/13.5)
C	82	82	82
D	247	247	247
D with clamp	285	285	285

3.2.2 GCO2-FX version



Key

- 1. Dome
- 2. Base
- 3. Dome/Base sealing ring
- 4. Optional valve
- 5. Latches



Dimensions in mm	Closure type	
	FC	FD
L	384	432
W	279	279
W1	254	254
W2	150	150
A	30	30
B	82	82
C	30	30
D	195	195
E	123	123
F	256	256

3.3 Closure capacity

3.3.1 General

	GCO2-BX type		
	BC	BD	BE
UMS profile data			
UMS profile length (units) ¹	2 x 28	2 x 42	2 x 58
FAS Block data			
Number of tube holders	4	4	4
Cavities per tube holder	12	12	12
Capacity per tube holder			
- FOPT-SF (1.8 mm)	54	54	54
- tubes of 2.2 mm	54	54	54
- tubes of 2.9 mm	48	48	48
- tubes of 3.1 mm	32	32	32
- tubes of 5.0 mm	16	16	16
- Spiral tube of 6.8 mm	8	8	8
- Spiral tube of 8.8 mm	4	4	4
Maximum number of fibers through the window in between the 2 FAS plates ²			
- Single fiber	1000	1000	1000
- R4	120	120	120
- R8	64	64	64
- R12	48	48	48
Cable looping capacity			
Single fiber loose tube (3.1 mm Ø)	7 tubes (3.6 m)	10 tubes (3.8 m)	11 tubes (4 m)
Stored in basket			
- R4 (ribbons)	25 + (5.3m)	25 + (5.9m)	25 + (6.1m)
- R8 (ribbons)	15 + (5.3m)	24 + (5.9m)	24 + (6.1m)
- R12 (ribbons)	12 + (5.3m)	12 + (5.9m)	12 + (6.1m)
Cable port capacity ³			
- one oval port for 2 cables	Max. 2x25 mm Min. 2x12 mm	Max. 2x25 mm Min. 2x12 mm	Max. 2x25 mm Min. 2x12 mm
- 6 round port base:			
of which 6 ports (1 cable / port)	Max. 30 mm ⁴ Min. 5 mm	Max. 30 mm ⁴ Min. 5 mm	Max. 30 mm ⁴ Min. 5 mm
- 16 round port base:			
of which 8 ports (1 cable / port)	Max. 13.5 mm Min. 5 mm	Max. 13.5 mm Min. 5 mm	Max. 13.5 mm Min. 5 mm
of which 8 ports (1 cable / port)	Max. 20 mm Min. 5 mm	Max. 20 mm Min. 5 mm	Max. 20 mm Min. 5 mm
GCO2-FX type			
	FC	FD	
UMS profile data			
UMS profile length (units) ⁵	16	24	
FAS Block data			
Number of tube holders	2	2	
Cavities per tube holder	12	12	
Capacity per tube holder			
- FOPT-SF (1.8 mm)	54	54	
- tubes of 2.2 mm	54	54	
- tubes of 2.9 mm	48	48	
- tubes of 3.1 mm	32	32	
- tubes of 5.0 mm	16	16	
- Spiral tube of 6.8 mm	8	8	
- Spiral tube of 8.8 mm	4	4	
Cable looping capacity			
Single fiber loose tube (2.5 mm Ø)	6 tubes (2.5 m)	6 tubes (2.5 m)	
Cable port capacity ⁶			
- 6 round port base:			
of which 6 round (1 cable / port)	Max. 30 mm Min. 5 mm	Max. 30 mm Min. 5 mm	
of which 1 oval	Max. 2x25 mm Min. 2x12 mm	Max. 2x25 mm Min. 2x12 mm	
- 8 round port base:			
of which 8 round (1 cable / port)	Max. 30 mm Min. 5 mm	Max. 30 mm Min. 5 mm	

¹ The number indicated is the space that can be occupied by trays. A Single circuit tray occupies 1 unit; a Single Element or R4/8 tray occupies 2 units; a R12 tray needs 3 units. One UMS profile length unit equals 6 mm.

² Fibers must be evenly spread (entering both from left and right).

³ Both oval and round ports can accommodate multiple cables per port subject to cable types and dimensions

⁴ Limited to 25 mm when a cable fixation bracket is used (included in the FIST-GCO2-RSK-CC).

⁵ The number indicated is the space that can be occupied by trays. A Single circuit tray occupies 1 unit; a Single Element or R4/8 tray occupies 2 units; a R12 tray needs 3 units. One UMS profile length unit equals 6 mm.

⁶ Both oval and round ports can accommodate multiple cables per port subject to cable types and dimensions

3.3.2 Splicing cable to cable - primary coated fibers ¹

	Closure type		BD		BE		FC		FD	
	BC Fibers	Trays	Fibers	Trays	Fibers	Trays	Fibers	Trays	Fibers	Trays
Single circuit splicing capacity										
- 2 primary coated fibers - SC	112	56	160	80	224	112	32	16	48	24
Single element splicing capacity										
- 8 primary coated fibers - SE tray	224	28	320	40	448	56	64	8	96	12
- 12 primary coated fibers - SE tray	336	28	480	40	672	56	96	8	144	12
Ribbon fiber splicing capacity										
- R4 cable - 2xR4 per tray	224	28	336	42	464	58				
- R8 cable - R8 tray	224	28	336	42	464	58				
- R12 cable - R12 tray	192	16	336	28	432	36				

3.4 Accessories

The following accessories are ordered separately for field installation.
See section 2.3 to check compatibility with the closure type (-BX or -FX)

3.4.1 Cable seal kits for the oval port

Gel seals ^(*)

Oval port gel seal kit for single fiber loose tube cable

FIST-OSKG

Cable seal kit to seal two cables having a diameter range of 6-18 mm through the oval outlet port (numbered 1-2) of the FIST-GCO2

Includes strength member fixation and plastic sleeves to store the uncut loose buffer tubes between the UMS profiles.



TE1_5078.JPG

Heat shrink seals

Oval port seal kit for single fiber loose tube cable

FIST-GCO2-OSK-LTS

Cable seal kit to seal two cables having a diameter range of 12-25 mm through the oval outlet port (numbered 1-2) of the FIST-GCO2.

Includes a plastic sleeve to store the uncut loose buffer tubes between the 2 UMS profiles.



GC020G16.JPG

Oval port seal kit for central core cable

FIST-GCO2-OSK-CC

Cable seal kit to seal two cables having a diameter range of 12-25 mm through the oval outlet port (numbered 1-2) of the FIST-GCO2.

Includes a metal bracket to terminate the two central core cables.



GC020G17.JPG

Wraparound cable seal kit for oval ports

FOSC-CSEAL-2NW

A wraparound sleeve for an oval port that can be used in case of re-entry/repair.



SEA013.JPG

¹ Capacities indicated above are applicable for heat-shrinkable, ANT and RECORD splice protectors
^(*) Seals only to 2m water head and 20kPa (according RUD 5391 for cold mini gel seals)

3.4.2 Cable seal kits for the round port (6 or 8 round-port-base: port Ø 30mm)

Gel Seals ¹

Round port single cable gel seal kit

FIST-RSKG-1

Single drop cable kit , cable Ø 11 - 14 mm, with strength member and jacket fixation



TE1_4597.JPG

Round port multi cable gel seal kit

FIST-RSKG-2

Multi (2x) drop cable kit, cable Ø 8 - 10mm, with strength member and jacket fixation.



TE1_4594.JPG

Round port multi cable gel seal kit

FIST-RSKG-4

Multi (4x) drop cable kit, cable Ø 4 - 7 mm, with strength member and jacket fixation.
Includes 4 dummy rods.



TE1_4891.JPG

Round port multi cable gel seal kit

FIST-RSKG-4F

Multi (4x) flat drop cable kit, cable dimensions 11 x 6.5mm, with strength member and jacket fixation
Includes 4 dummy rods



TE1_489..JPG

Round port multi cable gel seal kit

FIST-RSKG-8

Multi (8x) drop cable kit, cable Ø 3 to 5 mm, with cable jacket fixation.
Includes 8 dummy rods.



TE1_4596.JPG

Round port multi cable gel seal kit

FIST-RSKG-16

Multi (16x) drop cable kit, cable Ø = max 3 mm.
Includes 16 dummy rods and 16 KTUs (Aramid yarns Termination Unit)



TE1_4593.JPG

¹ Seals only to 2m water head and 20kPa (according RUD 5391 for cold mini gel seals)

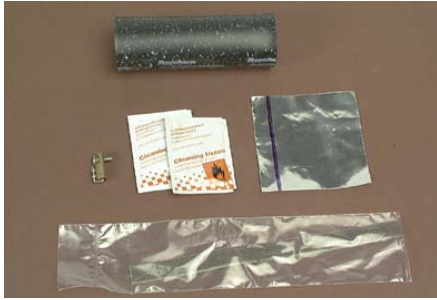
Heat shrink seals

Round port seal kit for single fiber loose tube

FIST-GCO2-RSK-LTS

Cable seal kit to seal cables with a diameter range of 5-30 mm through the round ports (numbered 3-8) of the FIST-GCO2.

Includes a universal strength member termination kit.



GCO2OG18.JPG

Round port seal kit for central core

FIST-GCO2-RSK-CC

Cable seal kit to seal cables with a diameter range of 5-25 mm through the round ports (numbered 3-8) of the FIST-GCO2.

Includes a metal cable fixation bracket and spiral tube to terminate the central core cable.



GCO2OG19.JPG

Wraparound cable seal kit for round ports

FOSC-CSEAL-1NW

A wraparound sleeve for a round port that can be used in case of re-entry/repair.



SEA012.JPG

Multi drop cable kits allow to feed more than 1 cable through the round port in a flexible way.

In case that one cable is installed day one of the installation and further flexibility is needed to bring in 2 extra cables later on, the MULTI2-kits can be used. In a first stage, the cable is sealed together with 2 tubes; at a later stage, additional cable can be fed through these tubes.

When full flexibility is needed and no cables are installed on day one, the MULTI3-kits can be used. Note that these kits are only applicable for **single fiber-loose tube cable**.

For more information on multi-kits, please refer to addendum 1.



GCO2OG22.JPG

FIST-GCO2-MULTI2/9 – Multi drop cable kit

Multi drop cable kit for 1 cable and 2 tubes. Multi termination plate with one strength termination is included. Max. cable diameter for the first cable=14 mm; other cable (through tubes) can have a max. diameter of 9.5 mm.

Includes a multi-termination plate with one strength member fixation.

FIST-GCO2-MULTI2/11 – Multi drop cable kit

Multi drop cable kit for 1 cable and 2 tubes. Multi termination plate with one strength termination is included. Max. cable diameter for the first cable=14 mm; other cable (through tubes) can have a max. diameter of 11.5 mm.

Includes a multi-termination plate with one strength member fixation.

FIST-GCO2-MULTI2/12 – Multi drop cable kit

Multi drop cable kit for 1 cable and 2 tubes. Multi termination plate with one strength termination is included. Max. cable diameter for the first cable=12 mm; other cable (through tubes) can have a max. diameter of 12 mm.

Includes a multi-termination plate with one strength member fixation.

FIST-GCO2-MULTI3/9 – Multi drop cable kit

Multi drop cable kit with 3 tubes. Max. cable dia. = 9.5 mm.

FIST-GCO2-MULTI3/11 – Multi drop cable kit

Multi drop cable kit with 3 tubes. Max. cable dia. = 11.5 mm.



GCO2OG23.JPG

FIST-GCO2-MULTI-SEAL

Cable seal kit to seal the cable onto the tube.
Only for single fiber-loose tube cable.



GCO2OG25.JPG

Multi strength member fixation kit

FIST-GCO2-MULTI-UCT

Multi termination plate with 3 strength member fixations to be used with the MULTI3 kits.
Only for single fiber-loose tube cable.

3.4.3 Cable seal kits for the round port (16-round-port-base: port Ø 13.5 or 20mm)



GCO2OG18.JPG

Round port seal kit for loose tube cable

FIST-GCO2-RSK-16-LTS

Cable seal kit to seal cables with a diameter range of 5-20 mm through the round ports (numbered 3-16) of the FIST-GCO2.
It includes a universal strength member termination kit.

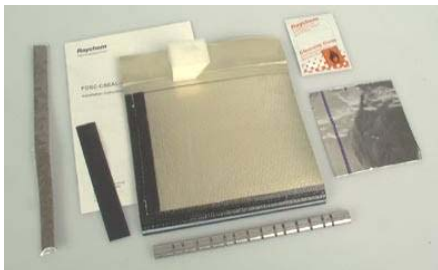


TE1_2260.JPG

Round port seal kit for central core cable

FIST-GCO2-RSK-16-CC

Cable seal kit to seal cables with a diameter range of 5-20 mm through the round ports (numbered 3-16) of the FIST-GCO2.
It includes a dual strength member termination kit and spiral tubing.



SEA012.JPG

Wraparound cable seal kit for round ports

FOSC-CSEAL-1NW

A wraparound sleeve for a round port that can be used in case of re-entry/repair.

3.4.4 Cable termination accessories

Cable termination kit (strength member fixation kit)

FACC-UCT-10 (10 pc per pack)

Universal strength member termination kit for metallic/non-metallic strength members between 1.5 and 5 mm diameter. Kit includes 10 universal strength member terminations, 10 screws and 1 Allen key.



FIK&C103.JPG

8 copper pairs termination disconnect module

FIST-CU-TERM8

This module can easily be mounted in the closure to terminate or connect up to 8 copper pairs from a hybrid cable.



GCO2OG32.JPG

External cable fixation bracket for GCO2-BX

FIST-GCO2-BX6-EXT/CF

A cable securing frame, combined with a mounting bracket, can be mounted on the base using 4 split pins. Used for large quantities of small cables, typically in combination with FIST-GCO2-RSKG-... kits. Order FIST-GCOG-L-BRACKET and FIST-GCOG-WALL-KIT if needed.



7P2P4594.JPG

External cable fixation bracket for GCO2-FX

FIST-GCO2-FX6-EXT/CF

The cable securing frame can be mounted on the base with 2 screws. Used for large quantities of small cables, typically in combination with FIST-GCO2-RSKG-... kits.



7P2P4596.JPG

3.4.5 Mounting kits & work stands

See the MOBRA ordering guide.

3.4.6 Organizer modules

See the SOSA2 organizer ordering guide.

3.4.7 Storage baskets ^{1 2}

FIST-BASKET-A

Storage basket to store the uncut fibers of a loose tube ribbon or central core cable. Model designed for size BC.



GC2OG026.JPG

FIST-BASKET-B

Storage basket to store the uncut fibers of a loose tube ribbon or central core cable. Model designed for size BD and BE.



GC2OG027.JPG

3.4.8 Installation kit components

Cutting wire

FISTV-E7185-3010-S5027

Cutting wire to open the FIST-GCO2 ports.



I&C032.JPG

Silica gel

Silica gel to dry the air in the closure, to be replaced after each re-entry.



I&C034.JPG

3.4.9 Extension kits

FIST-GCO2-BC2BD-V-EP-01

Kit to extend a BC size closure to a BD size closure

FIST-GCO2-BC2BE-V-EP-01

Kit to extend a BC size closure to a BE size closure

FIST-GCO2-BD2BE-V-EP-01

Kit to extend a BD size closure to a BE size closure



TE1_3876.JPG

¹ To store uncut single fiber loose tubes, no extra items need to be ordered; a plastic sleeve is delivered with the oval port seal kit for loose tube to store the tubes between the UMS profiles.

² Uncut fibers can also be stored on trays using their loop-back facility.

TE Connectivity products deliver a competitive advantage by meeting stringent demands for performance and reliability.

Innovative TE Connectivity components and systems are used in telecommunications, electronics, transportation, infrastructure and energy networks markets throughout the world.

Tyco Electronics Raychem bvba
Diestsesteenweg 692
B-3010 Kessel-Lo, Belgium
Tel.: 32-16-351 011
Fax: 32-16-351 697
www.te.com
www.telecomnetworks.com

TE (logo) and TE Connectivity are trademarks of the TE Connectivity group of companies and its licensors.

While TE Connectivity and its affiliates referenced herein have made every reasonable effort to ensure the accuracy of the information contained in this catalog, TE Connectivity cannot assure that this information is error free. For this reason, TE Connectivity does not make any representation or offer any guarantee that such information is accurate, correct, reliable or current. TE Connectivity reserves the right to make any adjustments to the information at any time. TE Connectivity expressly disclaims any implied warranty regarding the information contained herein, including, but not limited to, the implied warranties of merchantability or fitness for a particular purpose. TE Connectivity' only obligations are those stated in TE Connectivity' Standard Terms and Conditions of Sale. TE Connectivity will in no case be liable for any incidental, indirect or consequential damages arising from or in connection with, including, but not limited to, the sale, resale, use or misuse of its products. Users should rely on their own judgment to evaluate the suitability of a product for a certain purpose and test each product for its intended application.