



Broadband Connectivity

Enclosures

MDU - S5

Splice Only/Connectorised

Application Information

The HellermannTyton S5 Series of wall mountable enclosures are suitable for both internal and external applications and have been developed for use within the last mile of the FTTx network.

The enclosure has been designed to accommodate the HellermannTyton IR Fibre Management System and offers the adaptability of point to Multi Point (P2MP) or Point to Point (P2P) configuration.

The enclosure can be supplied in a splice only configuration or as a connectorised version with 24 LC quad or 12 SC duplex connections.

Product Description

The enclosure is configured with the HellermannTyton IR Fibre Management System which can accommodate a maximum of 18 SE-IR, 36 SC-B or 9 x 900µm IR trays giving a maximum of 432 3A fibre splices.

An adaptor connection plate or splitter cassette management system can be fitted which will hold a maximum of 24 LC quad (or 12 SC duplex) adaptors (2 x connector plates) or 48 LC simplex (6 x cassettes) provide a maximum 96 customer connection points.

The enclosure is 568 x 375 x 165mm (H x W x D) and manufactured in light grey (RAL 7035), UV stable ABS (Acrylonitrile Butadiene Styrene) and has an IP54, IK08 and V0 rating.

Designed with 8 dual input/output ports, 4 across the bottom, 2 on the top and 2 on each side, each port will accommodate a 20 or 25mm cable gland.

Features and Benefits:

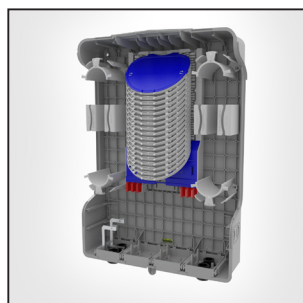
- Maximum 432 Fibre Splices
- IR Fibre Management System
- 18 SE/36 SC-B or 9 x 900µm Trays
- Multiple Loop Storage Management options
- 8 Dual Input/Output positions
- Strength Member Anchor
- In-built spirit level
- IP54/IK08
- UV Stable
- V0 Rating

Technical Data

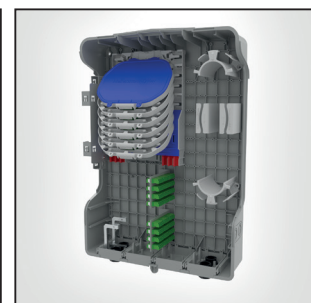
Dimensions (mm)	H	W	D
	568	375	165
Enclosure type	250µm Splice Only	900µm 48 Fibre Connectorised	900µm 96 Fibre Connectorised
Splice	Yes		
Tray Quantity / Type	36 SC-B-IR / 18 SE-IR	900µm	
Number and type of adaptors	N/A	48 LC	48 SC / 96 LC
IP Rating	IP54		
Mechanical IK protection	IK08		



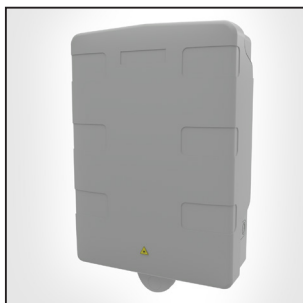
MDU - S5 with 900µm connectorised with 48 LC SX connections.



250µm splice only.



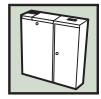
900µm connectorised with 24 LC QD.



External view.



Internal view.



Technical Diagrams

