

FiberGuide® Fiber Management Systems

4th Edition



Table of Contents

Introduction

Introduction	1
A Variety of Solutions	2
Innovative Products	3
Features and Benefits	4

Applications

Combining System Parts	5
Downspout Drop Options	6
Express Exit™ Drop Options	7
Trumpet Flare Options	8
4x24-Inch Island T	9
Raceway Reconfigurations	10
Supporting Overhead Systems	12

Patch Cord Densities

Recommended and Maximum Patch Cord Densities	16
Things to Consider When Ordering	17

2x2 System

Fittings - 2" H x 2" W	20
Downspouts and Attachments - 2" H x 2" W	21
Straight Section and Junction - 2" H x 2" W	22
Part Drawings	23

2x6 System

Fittings, Downspouts and Attachments - 2" H x 6" W	26
Low-Profile Express Exit™	26
Straight Section - 2" H x 6" W	28
Junction - 2" H x 6" W	28
Part Drawings	29

4x4 System

Fittings - 4" H x 4" W	32
Downspouts and Attachments - 4" H x 4" W	34
Straight Section - 4" H x 4" W	36
Snap-Fit™ Junction - 4" H x 4" W	36
Part Drawings	37

4x6 System

Fittings - 4" H x 6" W	42
Downspouts and Attachments - 4" H x 6" W	44
Straight Section - 4" H x 6" W	46
Snap-Fit™ Junction - 4" H x 6" W	46
Part Drawings	47

4x12 System	
Fittings - 4" H x 12" W	50
Downspouts and Attachments - 4" H x 12" W	52
Straight Section - 4" H x 12" W	54
Snap-Fit™ Junction - 4" H x 12" W	55
Part Drawings	56
4x24 System	
Fittings - 4" H x 24" W	60
Downspouts - 4" H x 24" W	61
Straight Section	62
Snap-Fit Junction.....	62
Cover Kits.....	62
Part Drawings	63
Express Exit™ Family	
For 4x4, 4x6, 4x12, and 4x24 Systems	66
2-Inch Express Exit™	67
Part Drawings	68
Vertical Fiber Management Systems	
2" and 4" Solid and Slotted Duct Kits and Components.....	70
2"x 2" Accessories.....	72
4"x 4" and 4"x 2" Accessories	73
RiserGuide	
Introduction	76
Specifications.....	77
Installation and Removal	78
Ordering Information	79
2x2 System Support Kits	
Direct Support Kits.....	82
Aluminum Track Support Kit.....	83
Support Kit Drawings.....	84
2x6, 4x4, 4x6 System Support Kits	
Support Kit.....	86
Support Kit Drawings.....	87
4x12 System Support Kits	
Support Kit.....	90
Support Kit Drawings.....	91
4x24 System Support Kits.....	94
Support Kit Accessories	96
System Accessories	97
Ordering Information	98
Index.....	99

FiberGuide® Fiber Management Systems

Introduction

The Industry's Most Comprehensive Optical Raceway System

The FiberGuide® fiber management systems offer the greatest breadth of optical raceway products in the industry. FiberGuide systems add greater flexibility and drive down installation time to ensure a smooth deployment.

FiberGuide is a raceway system designed to protect and route fiber optic patch cords, multi-fiber cable assemblies and intrafacility fiber cable (IFC) to and from fiber splice enclosures, fiber distribution frames and fiber optic terminal devices. FiberGuide ensures a two-inch minimum bend radius is maintained throughout the system. Tool-less, Snap-Fit™ junctions, cover options significantly reduce the amount of time required for installation.

The FiberGuide system is a complete set of products designed and manufactured to ensure total off-frame protection and ease of use. Basic components include horizontal and vertical straight sections, horizontal and vertical elbows, downspouts, junctions and numerous support hardware and flex-tube kits.

Available in a variety of sizes:

2x2 - Ideal for smaller installations or for vertical routing of a maximum of four hundred 2 mm fiber optic patch cords. All 2x2 FiberGuide products are shipped with covers.

2x6 - Designed for height restricted environments, this robust system provides the same support and system flexibility of the traditional 4-inch-high system while saving 2 inches of overhead space. It features a maximum capacity of 1,200, 2 mm patch cords.

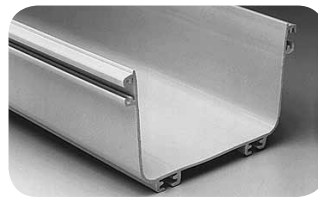
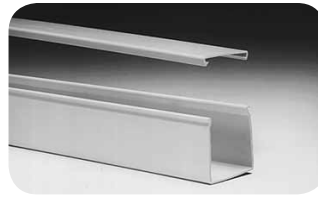
4x4 - Features the maximum capacity to support 1,600, 2 mm patch cords. It has been engineered to allow straight sections to be self-supporting over a span of up to 1.83 m (6 feet).

4x6 - Features the same benefits of the 4-inch system and a maximum trough capacity of 2,400, 2 mm patch cords.

4x12 - The 12-inch-wide trough has a maximum capacity to support nearly 5,000, 2 mm patch cords. Perfect for runs over fiber frame lineups and perimeter routes.

4x24 - The 4x24-inch system is the ultimate raceway solution to securely route and protect patch cords over high-density optical distribution frames. Designed for maximum capacity, this robust system provides the same support and flexibility as the traditional 4x12-inch system while doubling capacity.

See page 16 for patch cord density tables.

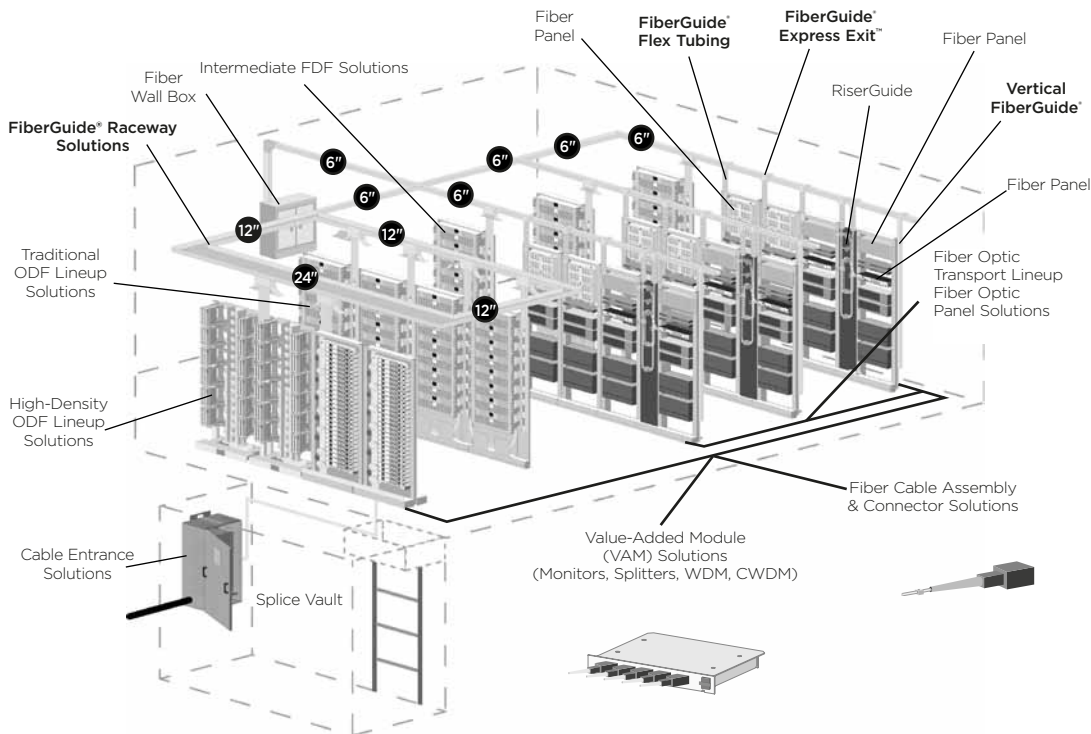


FiberGuide® Fiber Management Systems

Introduction - A Variety of Solutions

Introduction

Examples of FiberGuide® Integration



FiberGuide® Materials Product Statement

The FiberGuide fiber management system is a UL-listed (E151158) general purpose fiber optic raceway system. All FiberGuide products are manufactured from flame-retardant materials. No FiberGuide system parts contain PVC. The table summarizes the fire-resistant properties of FiberGuide straight sections, molded parts and flex tube.

	Raw Material Meets UL Requirement	Finished Product Meets UL Requirement
FiberGuide Straight Sections (All FiberGuide Systems)	Flame rated: UL94V-0	UL94V-0 and UL2024
FiberGuide Molded Fittings (All FiberGuide Systems)	Flame rated: UL94V-0	UL94V-0 and UL2024
FiberGuide Flex Tube (2")	Flame rated: UL94V-0	UL2024
FiberGuide Flex Tube (1")	Flame rated: UL94V-0	UL2024
FiberGuide Flex Tube (7/8")	Flame rated: UL94V-2	UL2024

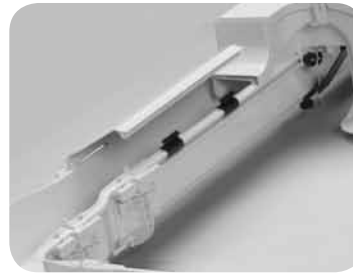
Note: FiberGuide flex tube complies with the National Electrical Code (NEC) Article 770-51 and Underwriters Laboratory UL2024 requirements for General Purpose Fiber Optic Raceways.

FiberGuide® Fiber Management Systems

Introduction - Innovative Products

Snap-Fit™ and Hinged Cover Options

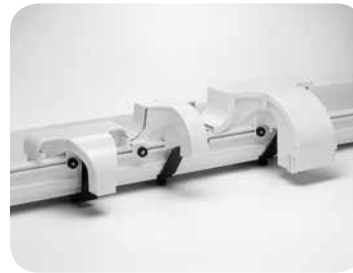
To drive down valuable installation time, FiberGuide systems include tool-less Snap-Fit™ and hinged cover options. Featuring simple, durable molded hardware, these covers install in minutes and require no tools. The hinged cover option provides easy access, enabling installers and technicians to deploy the product quickly and easily. In addition, the covers do not need to be fully opened for maintenance.



Hinged Cover System

Snap-Fit Junction

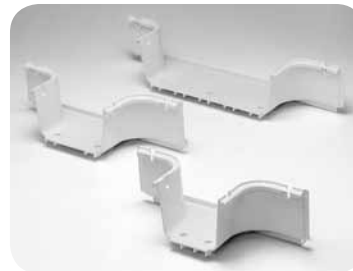
The Snap-Fit Junction is the industry's first and only completely tool-less junction. No additional tools are needed for installation or removal. Quick and easy to install, the FiberGuide Snap-Fit Junction saves valuable time and money.



Express Exit™ Family

Express Exits™

The FiberGuide system features a number of innovative Express Exit™ options: Low profile, 2-inch and 4-inch options round out this innovative product line, designed to meet your most demanding network requirements. By simply securing an Express Exit to the sidewall of a FiberGuide straight section, jumpers can be permanently or temporarily routed to the fiber optic terminal (FOT) equipment or fiber frames. No cutting is required. Positioning a drop with a member of the Express Exit family greatly simplifies installation, protects the integrity of existing fibers and increases the overall flexibility of the raceway system.



Cut-in T

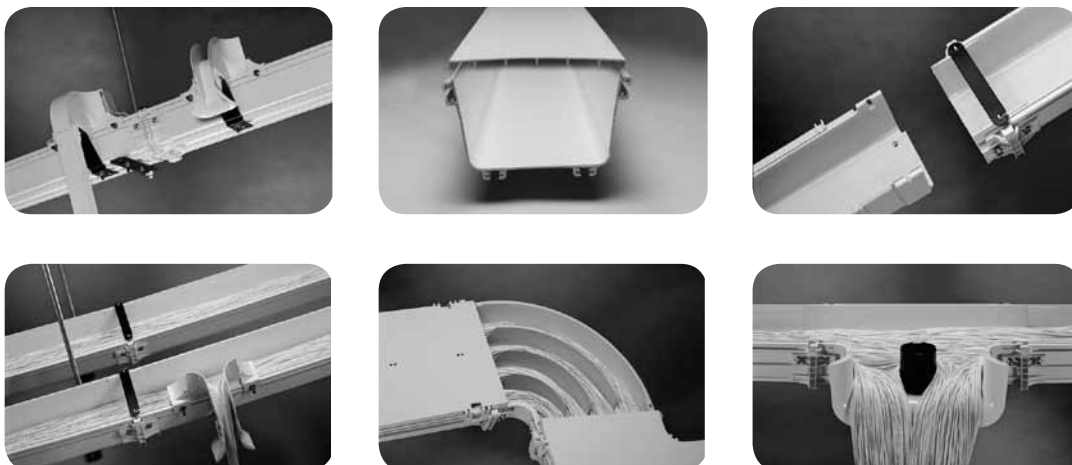
Raceway Reconfiguration Solutions

Two FiberGuide products facilitate easy on-site raceway reconfigurations. Available for the 4x4, 4x6, 4x12 and 4x24* systems, the cut-in "T" and the expandable straight section offer the required flexibility to optimize raceway systems in retrofit applications without jeopardizing the integrity of existing cables.

*Expandable straight section not available for 4x24 system.

FiberGuide® Fiber Management Systems

Introduction - Features and Benefits



FEATURES & BENEFITS

Speed of Installation

FiberGuide® systems feature a variety of products that allow for quick and easy installation. Express Exit™ drops as well as tool-less products including Snap-Fit™ junctions, snap-on covers and new hinged cover options save valuable time for installers.

Speed of Deployment

The Express Exit system enables new drops to be added or removed quickly and easily. A drop can be added into a fully loaded raceway in seconds—without cutting.

Raceway Flexibility

FiberGuide features 38 support structures, over 75 fittings, multiple drop options and several other components to suit any application you create.

Fiber Protection

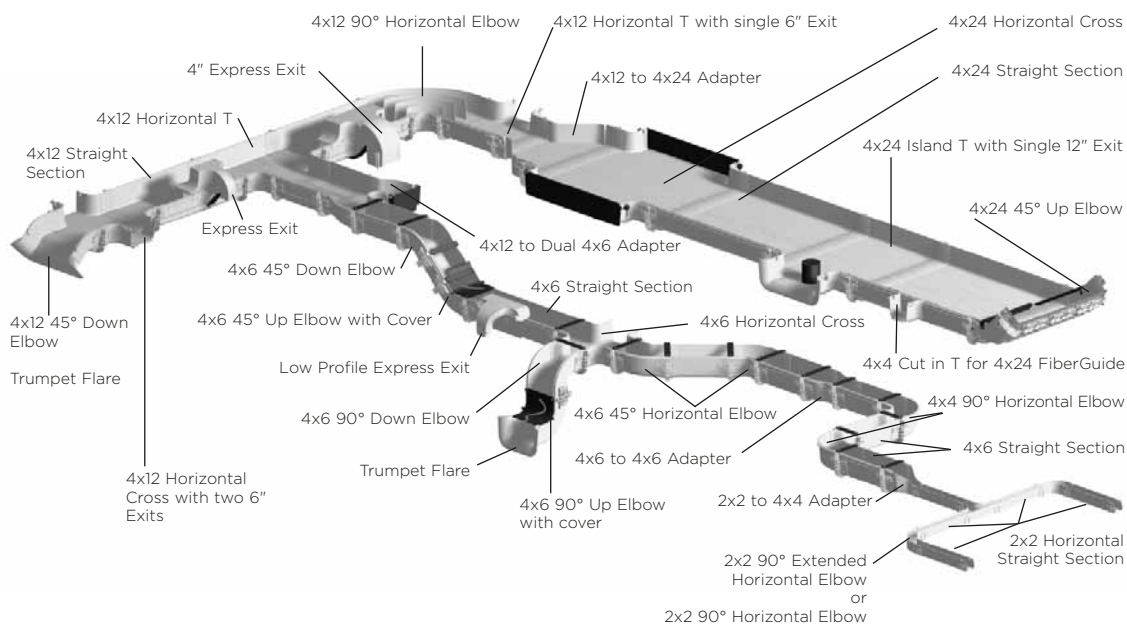
TE Connectivity's expertise translates into maximum protection for your network. Two-inch minimum bend radius is maintained throughout the system regardless of the raceway size.

Strength and Durability

100% raceway reliability—stands up to any challenge.

FiberGuide® Fiber Management Systems

Applications - Combining System Parts



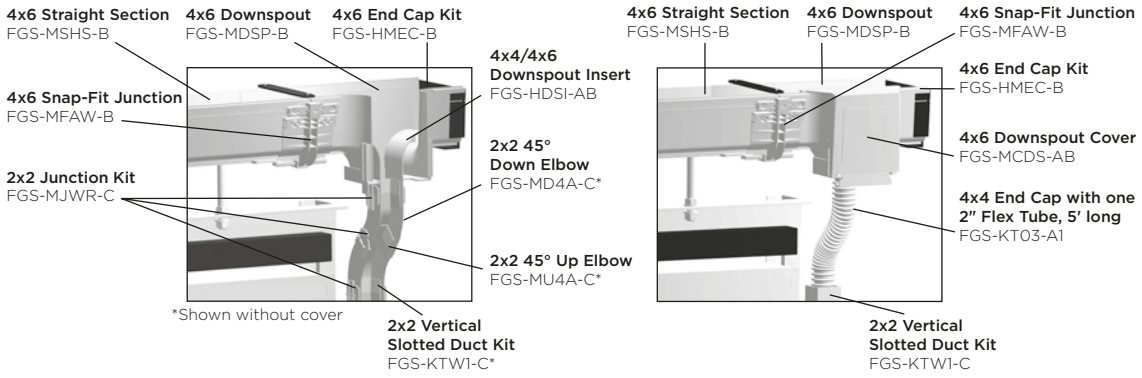
Applications

FiberGuide® Fiber Management Systems

Applications - Downspout Drop Options

A downspout drop is recommended over optical distribution frame lineups. The rigid 2-inch drop option and 2-inch flex tube option are two methods for directing fibers out of overhead FiberGuide® downspouts and into optical equipment bays. The rigid system is recommended because it offers excellent bend radius control and ensures a quality fiber backbone installation.

Applications



2x2 Rigid Drop Option

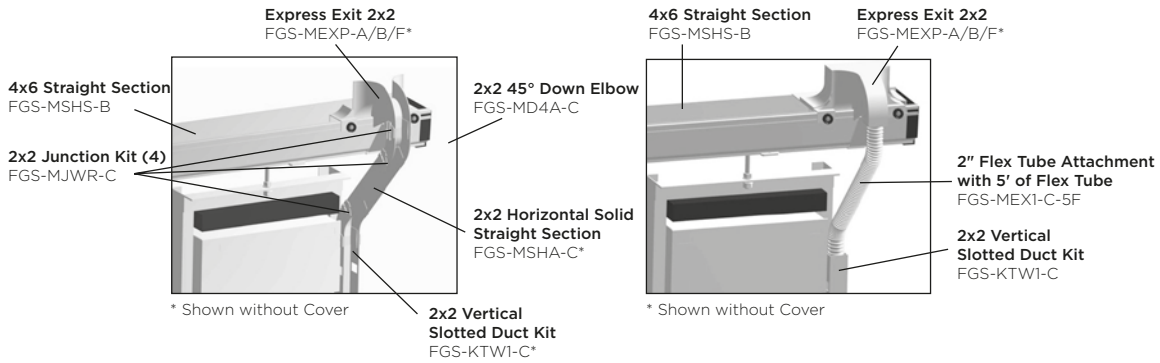


2" Flex Tube Drop Option

FiberGuide® Fiber Management Systems

Applications - Express Exit™ Drop Options

An Express Exit is recommended over active equipment racks or cabinets. The rigid 2-inch drop option and 2-inch flex tube option are two methods for directing fibers out of overhead FiberGuide® downspouts and into optical equipment bays. The rigid system is recommended because it offers excellent bend radius control and ensures a quality fiber backbone installation.



2x2 Rigid Drop Option



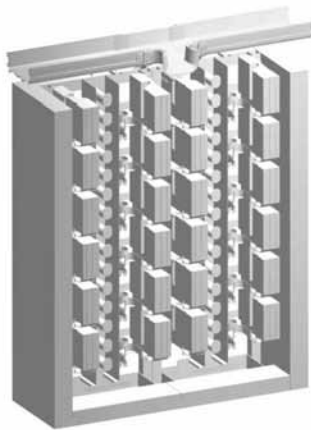
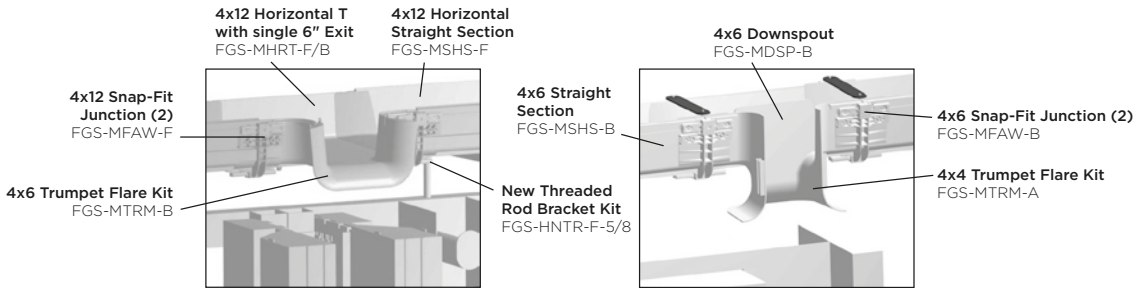
2\"/>

FiberGuide® Fiber Management Systems

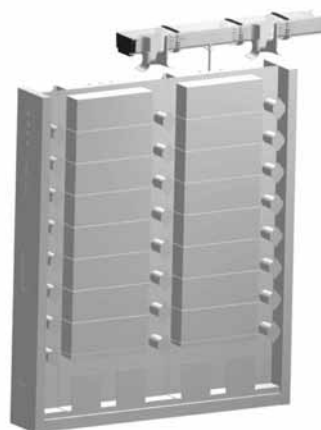
Applications - Trumpet Flare Options

The trumpet flare is recommended at the bottom of a downspout when directing fibers into a fiber distribution bay. Trumpet flares provide bend radius protection and allow for a large number of fiber patch cords to transition into a fiber bay. A 4x4 trumpet flare is used for the 4x4 and 4x6 downspouts and a 4x6 trumpet flare is used for the 4x12 downspout.

Applications

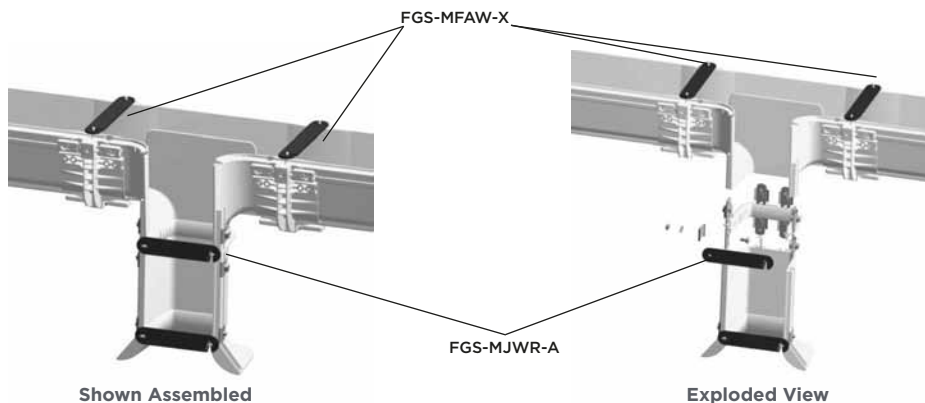


Horizontal T and Trumpet Flare



Downspout with Trumpet Flare

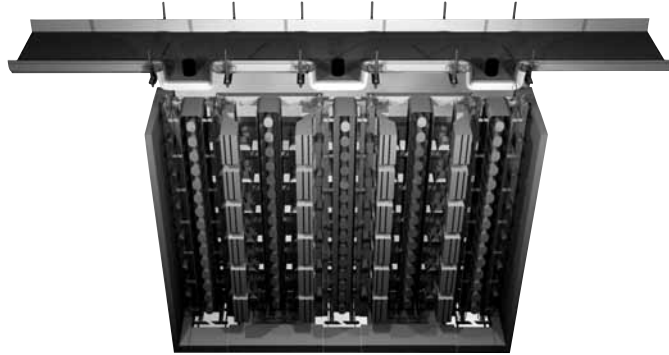
When attaching a straight section or fitting to the exit of a 4x4 or 4x6 downspout, the FGS-MJWR-A junction must be used. This junction is only required to connect the vertical part, the FGS-MFAW-X junction can be used to connect the horizontal parts.



FiberGuide® Fiber Management Systems

Applications - 4x24-Inch Island T

The 4x24 Island T with 12-inch exit is designed to be used over any high-density fiber frame. The 4x24 Island T, a horizontal T with spool and factory-installed trumpet flare, channels fiber directly into the vertical cableways below.



4x24 Island T

(Shown with support brackets over a high-density frame.)

FiberGuide® Fiber Management Systems

Applications - Raceway Reconfigurations

Cut-in T, Fitting and Fixture

The innovative cut-in T fitting and fixture enable on-site raceway modifications without jeopardizing the integrity of installed fibers. Available in 4-, 6-, and 12-inch widths, the cut-in T fitting can be retrofitted to any installed 4-, 6-, 12-, and 24-inch straight section using the cut-in T fixture and the hardware supplied with the fitting. No special tools are required.

Applications



Fixture attached to sidewall of raceway



Fixture protects cables during cutting of sidewall



Fitting fills gap left by removed sidewall



Supplied hardware secures fitting to raceway and completes installation

FiberGuide® Fiber Management Systems

Applications - Raceway Reconfigurations

Expandable Straight Sections

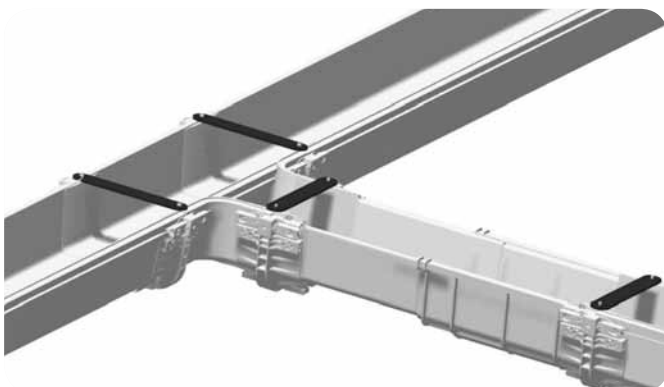
The expandable straight section simplifies installation and enhances the overall flexibility of the raceway system. The innovative straight section also provides an access point for future reconfigurations. Available in 4-, 6-, and 12-inch widths, the expandable straight section reduces the installation time necessary to connect opposing runs and provides continuous support for patch cords.



Raceway system with gap between opposing runs



Expandable straight section extends to connect runs



Completed installation

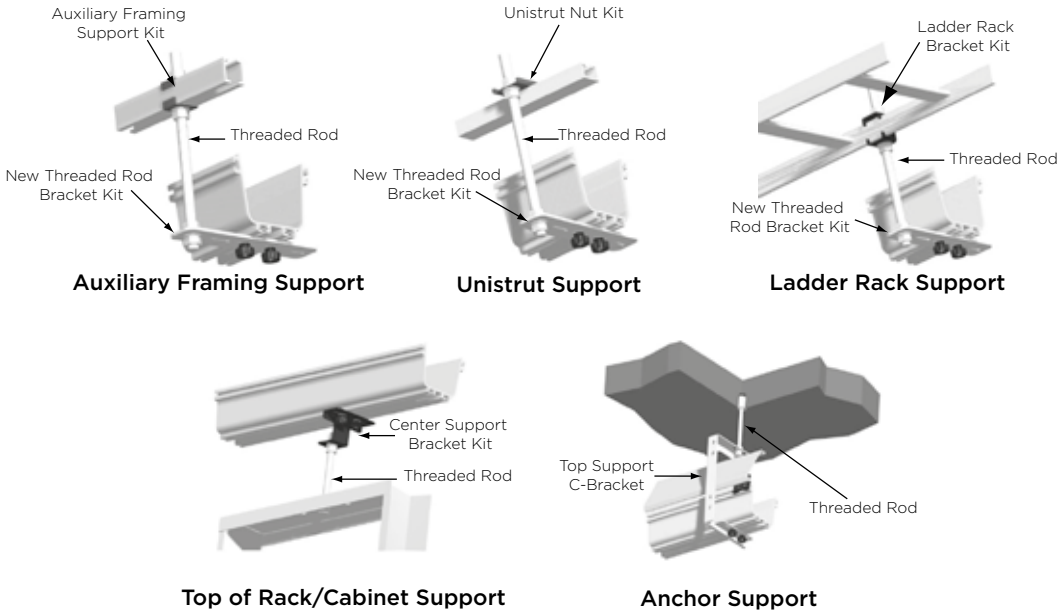
FiberGuide® Fiber Management Systems

Applications - Supporting Overhead Systems

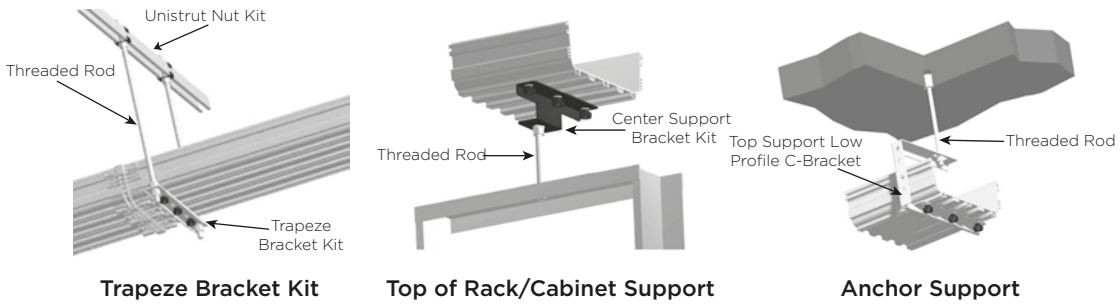
A variety of support kits are available for each FiberGuide® system. Whenever possible, FiberGuide support kits should be attached to existing hardware (cable racks, digital cableways, existing threaded rods or equipment racks).

Applications

2x6, 4x4, 4x6 Systems



4x12 System



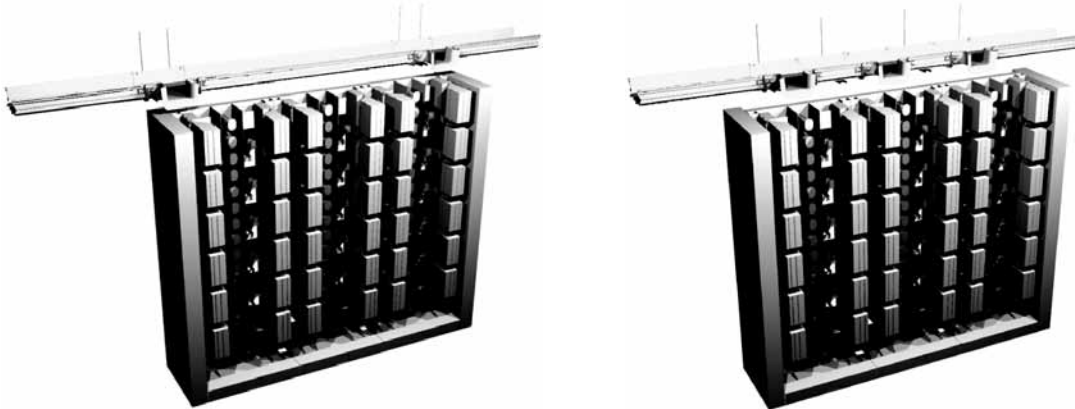
FiberGuide® Fiber Management Systems

Applications - Supporting Overhead Systems

4x12 and 4x24 Systems

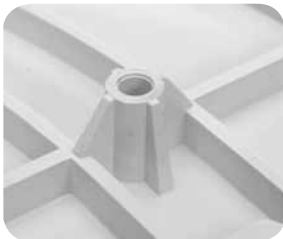
The straight sections on the 4x12 and 4x24 FiberGuide® system are exceptionally strong, making frequent placement of supports beneath them unnecessary. Whenever possible the supports should be placed under the fittings using the mounting bosses as shown (photos 1 and 2). This placement provides the strongest system and requires the least amount of support hardware to be used.

Occasionally it is not possible to attach the support bracket to the mounting bosses on the fittings; in those instances the variable fitting support locator can be installed on the bottom of the fitting, allowing the support to be attached anywhere along the fitting bottom (photos 3, 4 and 5). When combining several straight sections, it is recommended that support brackets are installed on both sides of each junction.

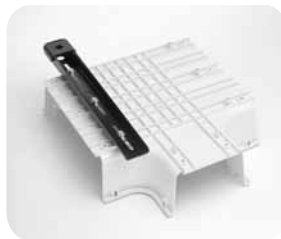


Typical 4x12 system installation over a high-density frame lineup

1



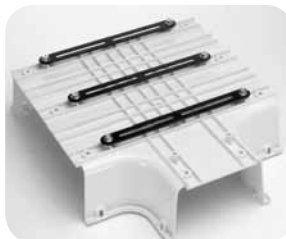
2



3



4

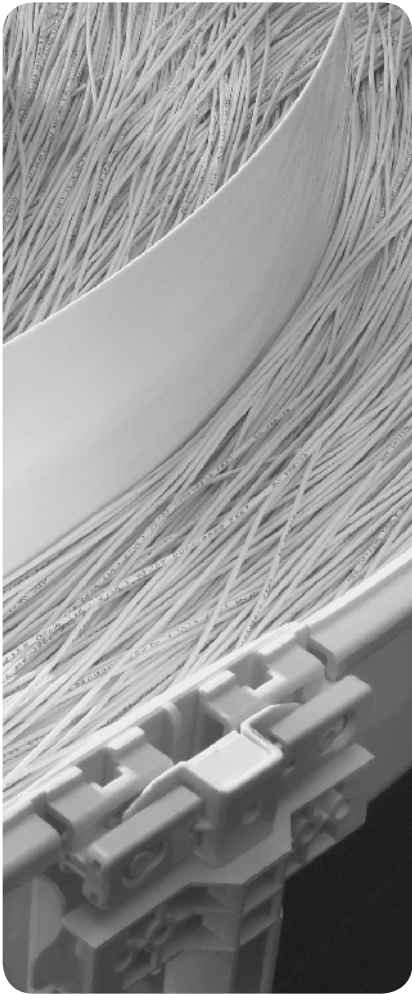


5



Variable Fitting Support Locator

Note: See pages 54 and 64 for 4x12 and 4x24 system fittings.



Patch Cord Densities

Recommended and Maximum Patch Cord Densities	16
Things to Consider when Ordering.....	17-18

Patch Cord Densities

Recommended and Maximum Patch Cord Densities

Recommended capacity takes into consideration random jumper placement into the FiberGuide® system. Maximum density refers to the maximum number of fiber jumpers in a given cross-section of a FiberGuide installation. The TracerLight® Connector Identification System features slightly different dimensions than standard patch cords.

Recommended/Maximum Density

1.7 mm Patch Cords (per in ²)	2.0 mm Patch Cords (per in ²)	3.0 mm Patch Cords (per in ²)
120/142	90/102	40/44

Trough Pileup

Recommended/Maximum Density

		2-Inch	3-Inch	4-Inch
4x24 System	1.7 mm	5760/6816	8640/10224	11520/13632
	2.0 mm	4320/4869	6480/7344	8640/9792
	3.0 mm	1920/2112	2880/3168	3840/4224
4x12 System	1.7 mm	2880/3408	4320/5112	5760/6816
	2.0 mm	2160/2448	3240/3672	4320/4896
	3.0 mm	960/960	1440/1584	1920/2112
4x6 System	1.7 mm	1440/1704	2160/2556	2880/3408
	2.0 mm	1080/1224	1620/1836	2160/2448
	3.0 mm	480/528	720/792	960/1056
4x4 System	1.7 mm	960/1136	1440/1704	1920/2272
	2.0 mm	720/816	1080/1224	1440/1632
	3.0 mm	320/352	480/528	640/704
2x6 System	1.7 mm	1440/1740	-	-
	2.0 mm	1080/1224	-	-
	3.0 mm	480/528	-	-
2x2 System	1.7 mm	480/568	-	-
	2.0 mm	360/408	-	-
	3.0 mm	160/176	-	-

TracerLight® Patch Cords - 65 Patch Cords per in²

	2-Inch	3-Inch	4-Inch
4x24 System	3120	4680	6420
4x12 System	1560	2340	3120
4x6 System	780	1170	1560
4x4 System	520	780	1040
2x6 System	780	-	-
2x2 System	260	-	-

Patch Cord Densities

Things to Consider When Ordering

For main aisle runs and/or installations above high density fiber frame equipment, consider the 12" and 24" FiberGuide product found on page 49 and 59 respectively.

For tributary runs and/or installations above fiber optic terminals (FOTs), consider the 4" and 6" FiberGuide product found on page 31 and 41 respectively.

For height restricted environments, consider the 2x6" FiberGuide system found on page 25.

Consider the use of variable support locators for the 4x12" and 4x24" FiberGuide systems. The variable support locators provide additional mounting options for support brackets underneath larger fittings such as horizontal T's or elbows.

Consider the use of Express Exits™ rather than the traditional downspouts for bringing fiber out of a straight section run and into a fiber optic terminal (FOT) bay. The Express Exit installs without tools and does not require any cutting for installation.

Calculate the maximum potential amount of fiber in a given lineup to determine the proper sized FiberGuide over that lineup. Considerations should be given to pile-up densities (see page 16 for recommended pile-up densities) and redundant routing paths which will have an effect on proper FiberGuide sizing.

See pages 65-68 for ordering information on Express Exits and pages 69-73 vertical slotted duct systems.

See pages 81-94 for ordering information on system and support kit accessories. Consider the use of the retrofit fin kit for potentially high traffic areas on the 4x4" or 4x6" FiberGuide systems (fins come molded into certain fittings on the 2x6", 4x12" and 4x24" systems). The fin helps to spread the pile-up of jumpers efficiently across the width of a given FiberGuide system especially at horizontal turns and intersections.

CATALOG NUMBER QUANTITY

1) Select the Desired FiberGuide Horizontal Components

Horizontal Straight Sections (6-feet each)

2x2" System - Page 22	_____	_____
2x6" System - Page 28	_____	_____
4x4" System - Page 36	_____	_____
4x6" System - Page 46	_____	_____
4x12" System - Page 54	_____	_____
4x24" System - Page 62	_____	_____

45°, 90° Horizontal Elbows, Straight Adapters and End Caps

2x2" System - Page 20	_____	_____
2x6" System - Page 26	_____	_____
4x4" System - Page 32	_____	_____
4x6" System - Page 42	_____	_____
4x12" System - Page 50	_____	_____
4x24" System - Page 60	_____	_____

Patch Cord Densities

Things to Consider When Ordering

CATALOG NUMBER QUANTITY

2) Select the Desired FiberGuide Vertical Components

45°, and 90° Up and Down Elbows

2x2" System - Page 20	_____	_____
2x6" System - Page 26	_____	_____
4x4" System - Page 32	_____	_____
4x6" System - Page 42	_____	_____
4x12" System - Page 50	_____	_____
4x24" System - Page 60	_____	_____

Downspouts, Trumpet Flares and Attachments

2x2" System - Page 21	_____	_____
2x6" System - Page 26	_____	_____
4x4" System - Page 34	_____	_____
4x6" System - Page 44	_____	_____
4x12" System - Page 52	_____	_____
4x24" System - Page 61	_____	_____

Express Exits and Vertical Slotted Duct Systems

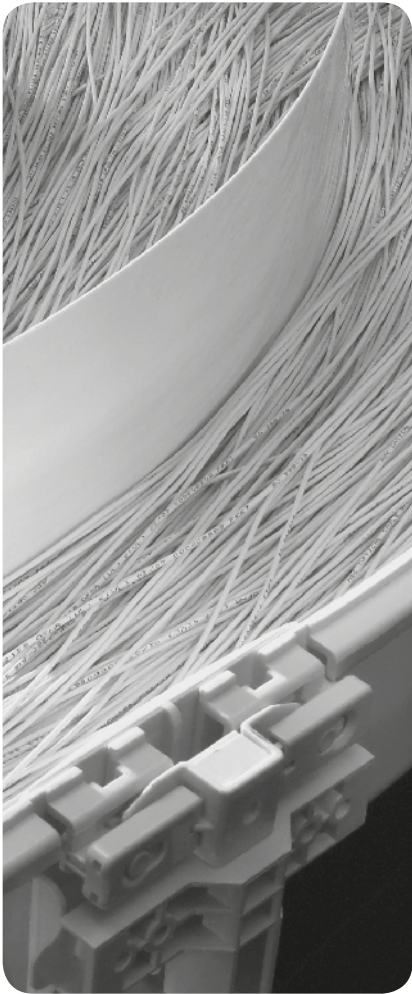
Express Exit™ Family - Page 66	_____	_____
Vertical Slotted Duct Systems - Page 70	_____	_____

3) Select the Desired FiberGuide Support Kits and Accessories

FiberGuide Support Kits

2x2" System - Page 82	_____	_____
2x6", 4x4" and 4x6" System - Page 86	_____	_____
4x12" System - Page 90	_____	_____
4x24" System - Page 94	_____	_____

For accessories including attachment hardware and threaded rod, see pages 95-97.



2x2 System

Fittings.....	20
Downspouts and Attachments	21
Straight Section and Junction	22
Part Drawings.....	23-24

2x2 System

Fittings - 2" H x 2" W

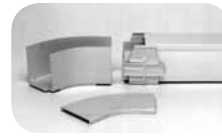
2x2 System



Horizontal T
(FGS-MHTA-C)



Horizontal Cross
(FGS-MHXP-C)



45° Horizontal Elbow
(FGS-MH4A-C)



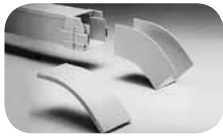
90° Horizontal Elbow
(FGS-MH9A-C)



90° Extended Horizontal Elbow
(FGS-MH9A-C-45/2)



45° Up Elbow
(FGS-MU4A-C)



45° Down Elbow
(FGS-MD4A-C)



2x2 to 4x4 Straight Adapter
(FGS-MDSA-AC)



End Cap
(FGS-HMEC-C)

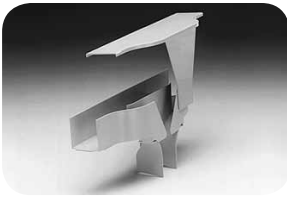
ORDERING INFORMATION

Description	Number of Junctions	Catalog Number	
		Yellow System	Black System
2x2 fittings			
Horizontal T; <i>cover included</i>	3	FGS-MHTA-C	FGSB-MHTA-C
Horizontal cross; <i>cover and two 2x2 junctions included; two additional 2x2 junctions required (see p. 22)</i>	2+2	FGS-MHXP-C	FGSB-MHXP-C
45° horizontal elbow; <i>cover included</i>	2	FGS-MH4A-C	FGSB-MH4A-C
90° horizontal elbow; <i>cover included</i>	2	FGS-MH9A-C	FGSB-MH9A-C
90° extended horizontal elbow; <i>cover included; similar to two 45° horizontal elbows joined</i>	2	FGS-MH9A-C-45/2	FGSB-MH9A-C-45/2
45° up elbow; <i>cover included</i>	2	FGS-MU4A-C	FGSB-MU4A-C
90° up elbow; <i>cover included</i>	2	FGS-MU9A-C	FGSB-MU9A-C
45° down elbow; <i>cover included</i>	2	FGS-MD4A-C	FGSB-MD4A-C
90° down elbow; <i>cover included</i>	2	FGS-MD9A-C	FGSB-MD9A-C
2x2 conversions			
2x2 to 4x4 straight adapter; <i>cover included</i>	(1) 2x2, (1) 4x4	FGS-MDSA-AC	FGSB-MDSA-AC
2x2 end cap			
End cap; <i>junction included</i>	--	FGS-HMEC-C	FGSB-HMEC-C

Other nonstandard colors available by request.

2x2 System

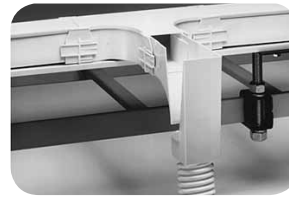
Downspouts and Attachments - 2" H x 2" W



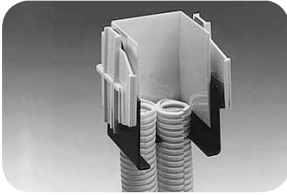
2x2 Standard Downspout
(FGS-MSDS-C)



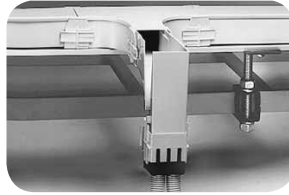
2x2 Extended Downspout
(FGS-MDSP-C)



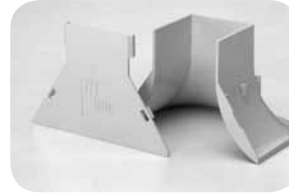
Extended Downspout
(FGS-KDH2-C shown attached to
2x2 FiberGuide system)



Dual 7/8" Flex Tube Attachment
(FGS-KT03-C)



Dual 7/8" Flex Tube Attachment
(FGS-KT03-C shown attached
to downspout)



2x2 Trumpet Flare
(FGS-MTRM-C)

ORDERING INFORMATION

Description	Number of Junctions	Catalog Number	
		Yellow System	Black System
2x2 downspouts			
Standard downspout; <i>cover included</i>	2	FGS-MSDS-C	FGSB-MSDS-C
Extended downspout; <i>cover included</i>	1	FGS-MDSP-C	FGSB-MDSP-C
Extended downspout; <i>cover and 2" flex tube, 2' long, included</i>	1	FGS-KDH2-C	FGSB-KDH2-C
Trumpet flare; <i>2x2 junction included</i>	-	FGS-MTRM-C	FGSB-MTRM-C
2x2 attachments			
<i>2x2 flex tube attachment - 2" flex tube and a 2x2 junction included</i>			
5' length	-	FGS-MEX1-C-5F	FGSB-MEX1-C-5F
10' length	-	FGS-MEX1-C-10F	FGSB-MEX1-C-10F
15' length	-	FGS-MEX1-C-15F	FGSB-MEX1-C-15F
<i>Dual 7/8" flex tube attachment - two lengths of 7/8" flex tube and a 2x2 junction included</i>			
(2) 5' length	-	FGS-KT03-C	FGSB-KT03-C
(2) 10' length	-	FGS-KT03-C-10F	FGSB-KT03-C-10F
(2) 15' length	-	FGS-KT03-C-15F	FGSB-KT03-C-15F
Flex tube clamp kit of 10; <i>attaches 7/8" flex tube to rack</i>	-	FGS-HSHC-10	FGSB-HSHC-10

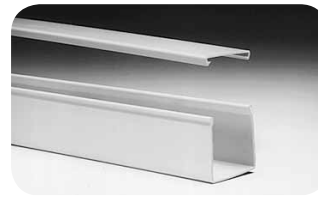
Other nonstandard colors available by request.

2x2 System

Straight Section and Junction - 2" H x 2" W

Straight Section

The 2x2 straight section is a U-shaped trough that provides a protective raceway for optical fibers. Available in 6-foot lengths, the straight section carries fibers horizontally throughout the system. It can also be installed vertically when routing around obstructions. A warning label indicating caution around fiber optic cable is included with each junction kit.



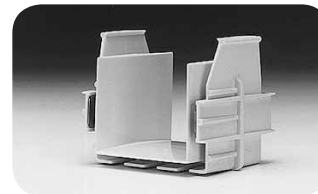
Horizontal Straight Section
(FGS-MSHA-C)

ORDERING INFORMATION

Description	Catalog Number	
	Yellow System	Black System
2x2 straight section; horizontal straight section; 6' long, cover included	FGS-MSHA-C	FGSB-MSHA-C

Junction

The 2x2 junction is used for mechanically joining FiberGuide® sections. No tools are required for assembly.



Junction
(FGS-MJWR-C)

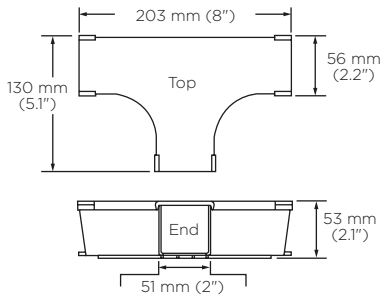
ORDERING INFORMATION

Description	Catalog Number	
	Yellow System	Black System
2x2 junction	FGS-MJWR-C	FGSB-MJWR-C

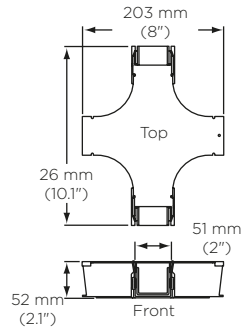
Other nonstandard colors available by request.

2x2 System

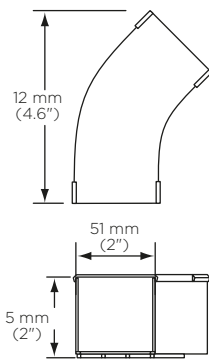
Part Drawings



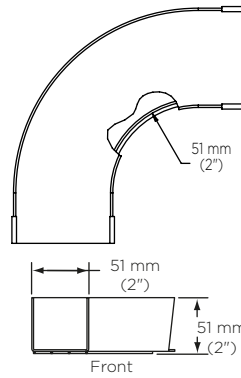
Horizontal T
(FGS-MHTA-C)



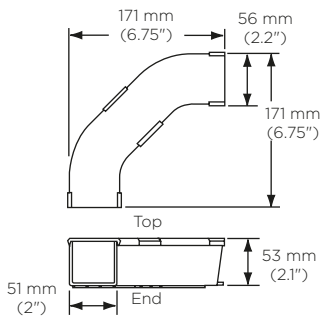
Horizontal Cross
(FGS-MHXP-C)



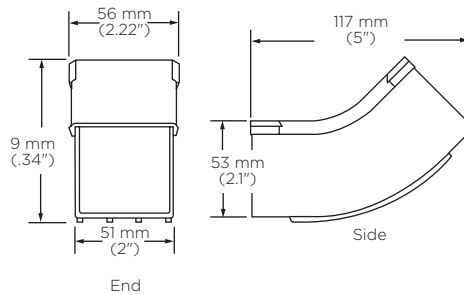
45° Horizontal Elbow
(FGS-MH4A-C)



90° Horizontal Elbow
(FGS-MH9A-C)



90° Extended Horizontal Elbow
(FGS-MH9A-C-45/2)

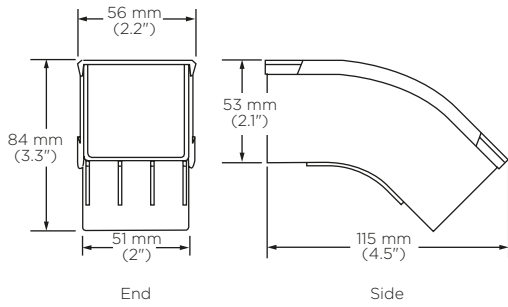


45° Up Elbow
(FGS-MU4A-C)

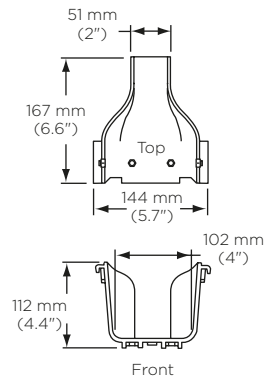
2x2 System

Part Drawings

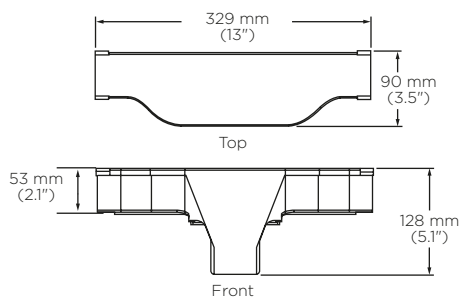
2x2 System



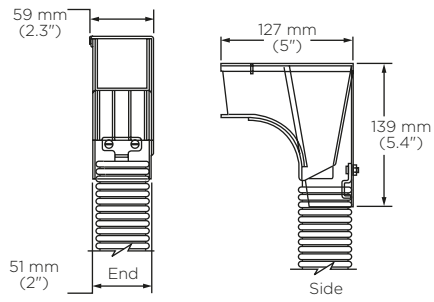
45° Down Elbow
(FGS-MD4A-C)



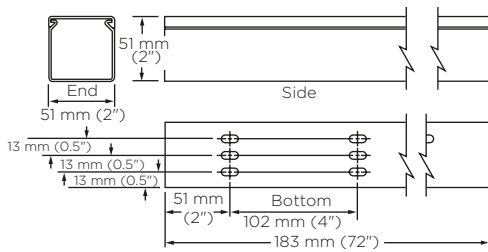
2x2 to 4x4 Straight Adapter
(FGS-MDSA-AC)



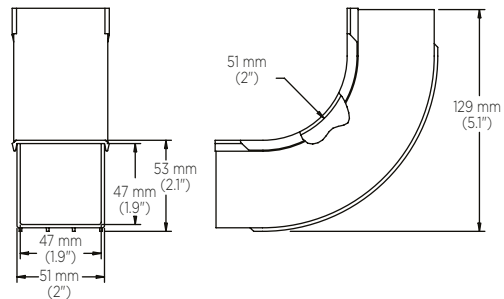
Standard Downspout
(FGS-MSDS-C)



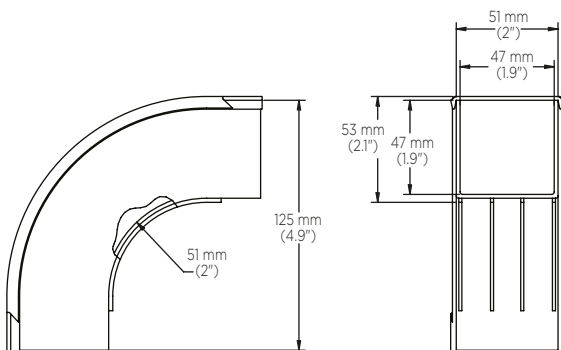
Extended Downspout
(FGS-KDH2-C)



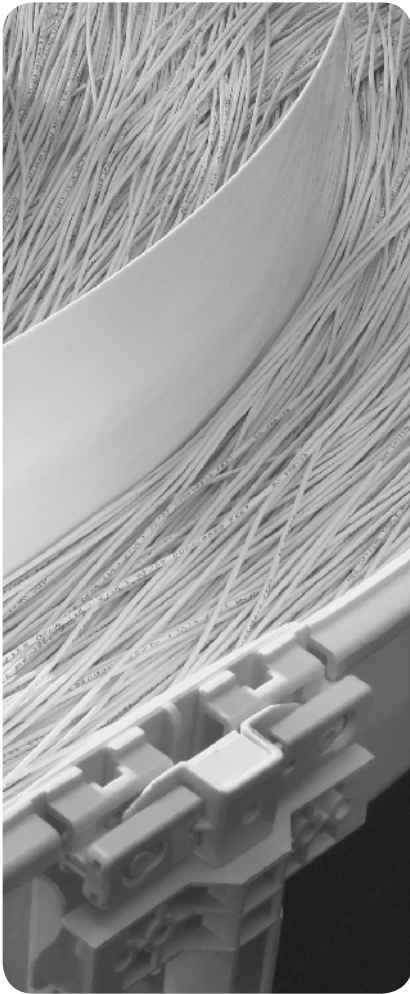
Horizontal Straight Section
(FGS-MSHA-C)



90° Up Elbow
(FGS-MU9A-C)



90° Down Elbow
(FGS-MD9A-C)



2x6 System

Fittings, Downspouts and Attachments - 2" H x 6" W	26
Low-Profile Express Exit™.....	26
Straight Section - 2" H x 6" W	28
Junction - 2" H x 6" W	28
Part Drawings.....	29

2x6 System

Fittings, Downspouts and Attachments - 2" H x 6" W

ORDERING INFORMATION

Description	Number of Junctions	Catalog Number	
		Yellow System	Black System
2x6 fittings			
Horizontal T	3	FGS-MHRT-G	FGSB-MHRT-G
Horizontal cross	4	FGS-MHXP-G	FGSB-MHXP-G
90° horizontal elbow	2	FGS-MH9E-G	FGSB-MH9E-G
90° down elbow	2	FGS-MD9E-G	FGSB-MD9E-G
45° horizontal elbow	2	FGS-MH4E-G	FGSB-MH4E-G
45° up elbow, <i>metal cover included</i>	2	FGS-MU4E-G	FGSB-MU4E-G
45° down elbow	2	FGS-MD4E-G	FGSB-MD4E-G
2x6 conversions			
2x6 to 4x4 adapter	(1) 2x6, (1) 4x4	FGS-MDSA-GA	FGSB-MDSA-GA
2x6 to 4x6 adapter	(1) 2x6, (1) 4x6	FGS-MDSA-GB	FGSB-MDSA-GB
Trumpet flare	-	FGS-MTRM-G	FGSB-MTRM-G
2x6 downspouts			
2x6 to 2x2 downspout	2	FGS-MDSP-G	FGSB-MDSP-G
2x6 attachments			
Dual 2" flex tube attachment	-	FGS-KT03-G-5F	FGSB-KT03-G-5F
2x6 end cap	-	FGS-HMEC-G	FGS-HMEC-G

2x6 System

Low-Profile Express Exit™

Designed for low-ceiling or height restricted environments, the Express Exit™ for the 2x6 FiberGuide® system extends only two inches above the straight section sidewall. The Express Exit accommodates up to 150 (3 mm) patch cords, includes removable rear cable guides for additional cable management, and features a 2x2 exit opening. It is designed specifically for the 2x6 FiberGuide system and should not be used on any other FiberGuide system.



Express Exit
(FGS-MEXP-LP-G)

ORDERING INFORMATION

Description	Catalog Number	
	Yellow System	Black System
Low-Profile Express Exit™ (designed exclusively for the 2x6 system) Base, cover, mounting hardware, and support bracket included	FGS-MEXP-LP-G	FGSB-MEXP-LP-G

2x6 System

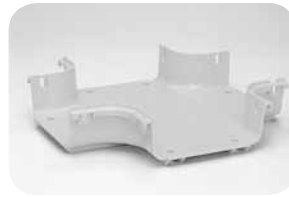
Fittings, Downspouts and Attachments - 2" H x 6" W



2x6 to 2x2 Downspout
(FGS-MDSP-G)



Horizontal T
(FGS-MHRT-G)



Horizontal Cross
(FGS-MHXP-G)



90° Horizontal Elbow
(FGS-MH9E-G)



90° Down Elbow
(FGS-MD9E-G)



45° Horizontal Elbow
(FGS-MH4E-G)



45° Up Elbow
(FGS-MU4E-G)
(Metal Cover Included)



45° Down Elbow
(FGS-MD4E-G)



2x6 to 4x4 Adapter
(FGS-MDSA-GA)



2x6 to 4x6 Adapter
(FGS-MDSA-GB)



Trumpet Flare
(FGS-MTRM-G)

2x6 System

2x6 System

Straight Section and Junction – 2" H x 6" W

Straight Section

The unique four-channel design of the 2x6 FiberGuide® straight section allows the standard system to be attached to the support structure without the need to cut or drill any holes within the trough. This ensures that the patch cords will not come in contact with any screw heads or bolts.

ORDERING INFORMATION

Description	Catalog Number	
	Yellow System	Black System
2x6 straight section; horizontal straight section; 6' long, cover sold separately	FGS-MSHS-G	FGSB-MSHS-G
2x6 accessories		
2x6 hinged cover kit for horizontal straight section; three mounting hinges and three clips included	FGS-MSNC-B/G	FGSB-MSNC-B/G
6-inch snap-on cover kit for horizontal straight section; six capture clips with mounting clasps included	FGS-MSSC-B/G	FGSB-MSSC-B/G
Kit-10 black capture clips*	FGS-DHCP	FGS-DHCP

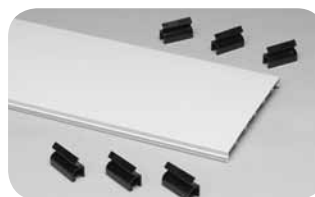
*See drawings on page 30 for more detail on how capture clips and hinges are used.



Straight Section
(FGS-MSHS-G)



Hinged Cover Kit for Horizontal Straight Section
(FGS-MSNC-B/G)



6-inch Snap-on Cover
(FGS-MSSC-B/G)

Junction

The one-piece junction employs factory-installed set screws to assure strength and durability. No cutting or drilling of the components is required for assembly. A warning label indicating caution around fiber optic cable is included with each junction kit.



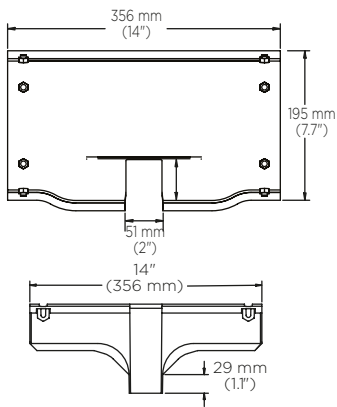
2x6 Junction
(FGS-JUNC-G)

ORDERING INFORMATION

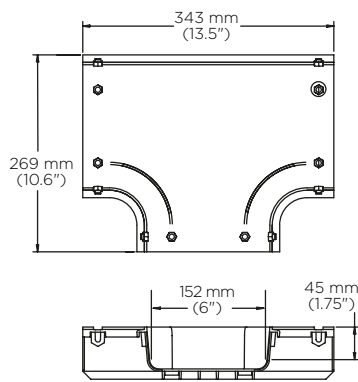
Description	Catalog Number	
	Yellow System	Black System
2x6 junction	FGS-JUNC-G	FGSB-JUNC-G

2x6 System

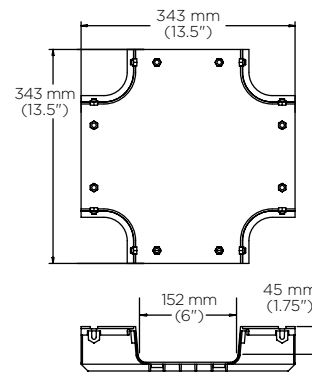
Part Drawings



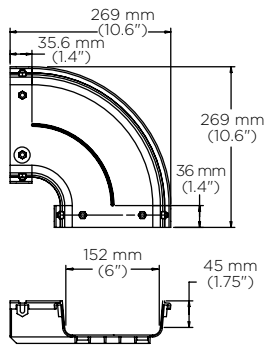
2x6 to 2x2 Downspout
(FGS-MDSP-G)



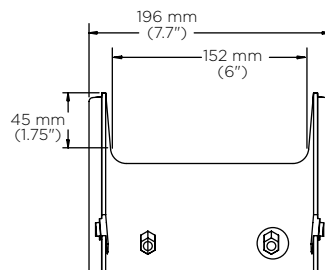
Horizontal T
(FGS-MHRT-G)



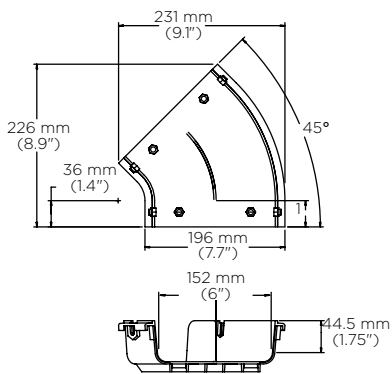
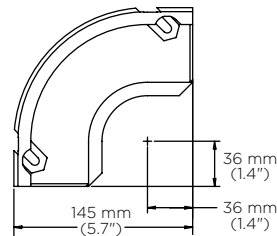
Horizontal Cross
(FGS-MHXP-G)



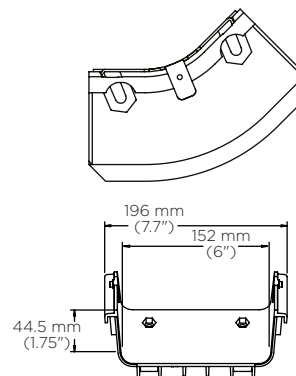
90° Horizontal Elbow
(FGS-MH9E-G)



90° Down Elbow
(FGS-MD9E-G)



45° Horizontal Elbow
(FGS-MH4E-G)

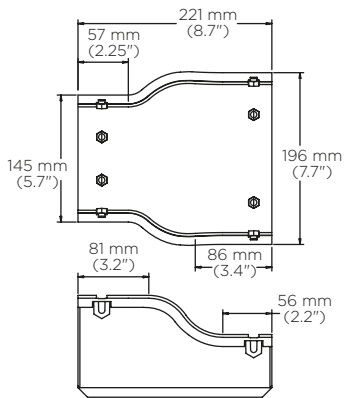


45° Up Elbow
(FGS-MU4E-G)

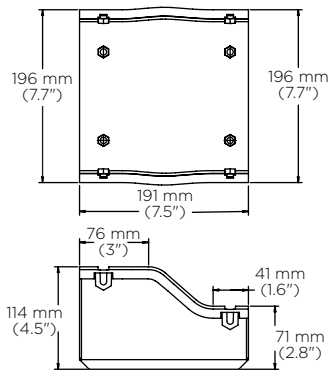
2x6 System

2x6 System

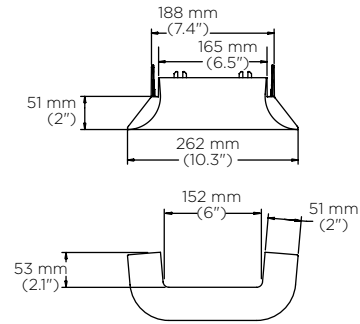
Part Drawings



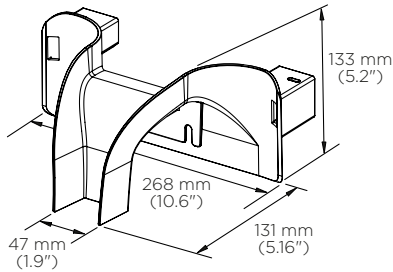
2x6 to 4x4 Adapter
(FGS-MDSA-GA)



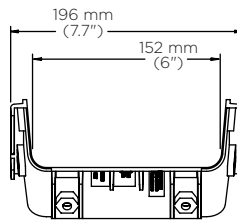
2x6 to 4x6 Adapter
(FGS-MDSA-GB)



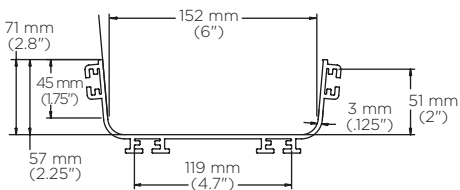
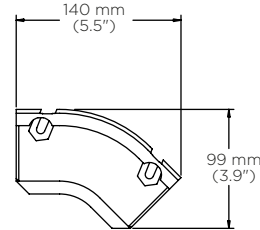
Trumpet Flare
(FGS-MTRM-G)



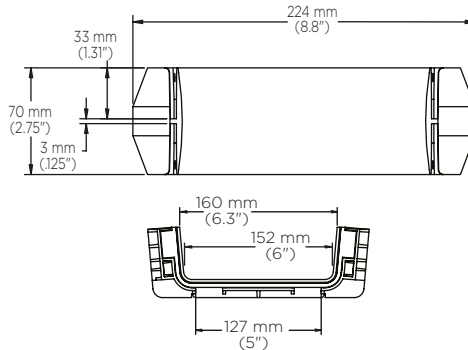
Low-Profile
Express Exit™ Downspout
(FGS-MEXP-LP-G)



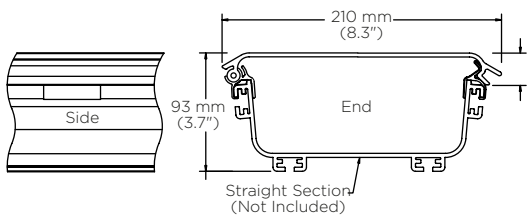
45° Down Elbow
(FGS-MD4E-G)



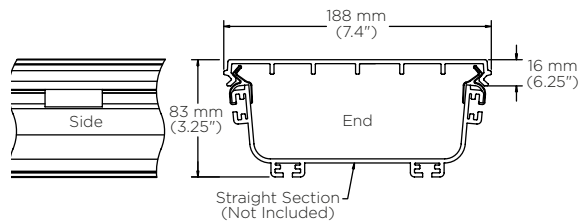
Straight Section
(FGS-MSHS-G)



Junction
(FGS-JUNC-G)

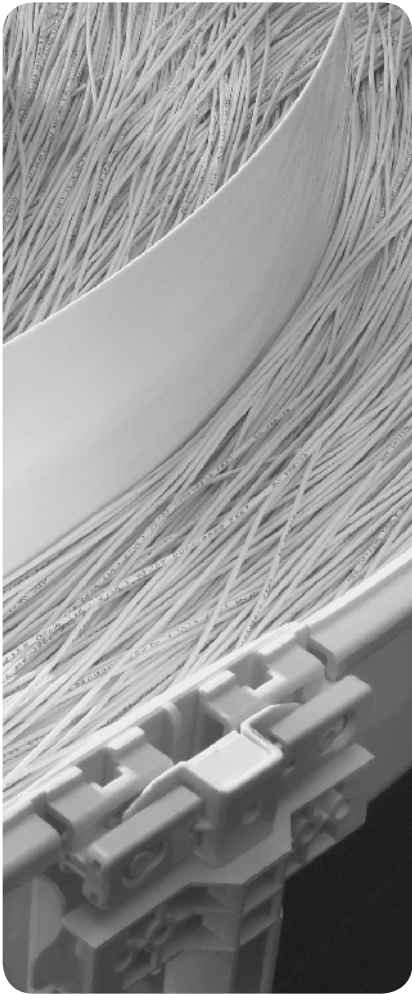


Hinged Covers for Straight Section
(FGS-MSNC-B/G)



Snap-on Covers for Horizontal Straight Section
(FGS-MSSC-B/G)

2x6 System



4x4 System

Fittings.....	32-33
Downspouts and Attachments	34-35
Straight Section	36
Snap-Fit™ Junction	36
Part Drawings.....	37-39

4x4 System

Fittings - 4" H x 4" W

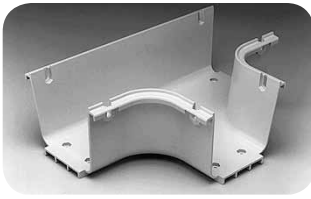
ORDERING INFORMATION

Description	Catalog Number					
	Number of Junctions	Yellow System	Yellow System Snap-on Cover	Black System	Black System Snap-on Cover	Fixed Metal Cover
4x4 fittings						
Horizontal T	3	FGS-MHRT-A	FGS-SHRT-A	FGSB-MHRT-A	FGSB-SHRT-A	FGS-CHRT-A
Horizontal cross	4	FGS-MHXP-A	FGS-SHXP-A	FGSB-MHXP-A	FGSB-SHXP-A	FGS-CHXP-A
90° horizontal elbow	2	FGS-MH9E-A	FGS-SH9E-A	FGSB-MH9E-A	FGSB-SH9E-A	FGS-CH9E-A
90° up elbow metal cover included	2	FGS-MU9E-A	FGS-SU9E-A	FGSB-MU9E-A	FGSB-SU9E-A	-
90° down elbow	2	FGS-MD9E-A	FGS-SD9E-A	FGSB-MD9E-A	FGSB-SD9E-A	FGS-CD9E-A
45° horizontal elbow	2	FGS-MH4E-A	FGS-SH4E-A	FGSB-MH4E-A	FGSB-SH4E-A	FGS-CH4E-A
45° up elbow metal cover included	2	FGS-MU4E-A	FGS-SU4E-A	FGSB-MU4E-A	FGSB-SU4E-A	-
45° down elbow	2	FGS-MD4E-A	FGS-SD4E-A	FGSB-MD4E-A	FGSB-SD4E-A	FGS-CD4E-A
4x4 conversions						
4x4 to 4x6 straight adapter	(1) 4x4, (1) 4x6	FGS-MDSA-AB	FGS-SDSA-AB	FGSB-MDSA-AB	FGSB-SDSA-AB	FGS-CDSA-AB
4x4 expandable straight section	2	FGS-MVAR-A	-	FGSB-MVAR-A	-	-
4"Cut-in T; assembly hardware included	-	FGS-MHIS-A	-	FGSB-MHIS-A	-	-
6"Cut-in T; assembly hardware included	-	FGS-MHIS-B	-	FGSB-MHIS-B	-	-
12"Cut-in T; assembly hardware included	-	FGS-MHIS-F	-	FGSB-MHIS-F	-	-
Cut-in T fixture	-	FGS-MHIS-JIG-A/B/F	-	FGS-MHIS-JIG-A/B/F	-	-
4x4 end cap	-	FGS-HMEC-A	-	FGS-HMEC-A	-	-

Other nonstandard colors available by request.

4x4 System

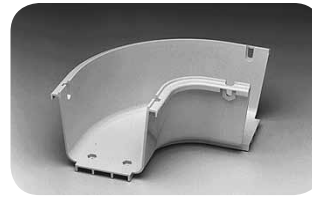
Fittings - 4" H x 4" W



Horizontal T
(FGS-MHRT-A)



Horizontal Cross
(FGS-MHXP-A)



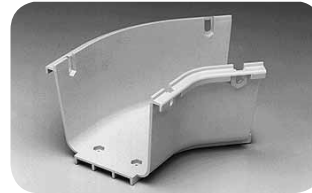
90° Horizontal Elbow
(FGS-MH9E-A)



90° Up Elbow
Metal Cover Included
(FGS-MU9E-A)



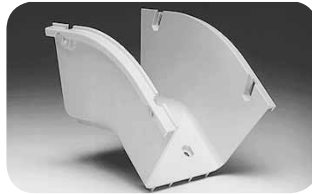
90° Down Elbow
(FGS-MD9E-A)



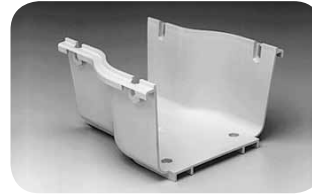
45° Horizontal Elbow
(FGS-MH4E-A)



45° Up Elbow
Metal Cover Included
(FGS-MU4E-A)



45° Down Elbow
(FGS-MD4E-A)



4x4 to 4x6 Straight Adapter
(FGS-MDSA-AB)



Expandable Straight Section
(FGS-MVAR-A)



Cut-in T
(FGS-MHIS-A)



Cut-in T Fixture
shown on straight section
(FGS-MHIS-JIG-A/B/F)



End Cap
(FGS-HMEC-A)



Snap-on Plastic Cover
(FGS-SH4E-A shown attached to 45° horizontal elbow with junctions)

4x4 System

4x4 System

Downspouts and Attachments – 4" H x 4" W

An array of 4x4 downspout options are available to feed fiber from overhead straight sections into fiber optic equipment below.

ORDERING INFORMATION

Description	Number of Junctions	Catalog Number	
		Yellow System	Black System
4x4 downspouts			
Downspout	2**	FGS-MDSP-A	FGSB-MDSP-A
Cover for 4x4 downspout	-	FGS-MCDS-AB	FGSB-MCDS-AB
Extended downspout	2*	FGS-MDSP-EX-A	FGSB-MDSP-EX-A
Cover for 4x4 extended downspout	-	FGS-MCDS-EX-AB	FGSB-MCDS-EX-AB
Insertable downspout	-	FGS-MDSP-A/I	FGSB-MDSP-A/I
Trumpet flare used on both 4x4 and 4x6 downspouts; <i>no 4" junction kit required</i>	-	FGS-MTRM-A	FGSB-MTRM-A
Downspout exit junction kit	-	FGS-MJWR-A	FGSB-MJWR-A
4x4/4x6 downspout; <i>insert converts bottom of downspout to 2x2" without using 2" to 4" adapter, saving vertical space</i>	-	FGS-HDSI-AB	FGS-HDSI-AB
4x4 attachments			
Square to 2" round adapter with flex tube; <i>one 4x4 junction kit (FGS-MJWR-A) required to attach to a downspout drop</i>			
5' length	1	FGS-ASRI-5F	FGSB-ASRI-5F
10' length	1	FGS-ASRI-10F	FGSB-ASRI-10F
15' length	1	FGS-ASRI-15F	FGSB-ASRI-15F
Dual 2" flex tube attachment; <i>no 4x4 junction kit required</i>			
(2) 5' length	-	FGS-KT03-A	FGSB-KT03-A
(2) 10' length	-	FGS-KT03-A10F	FGSB-KT03-A10F
(2) 15' length	-	FGS-KT03-A15F	FGSB-KT03-A15F
Single 2" flex tube attachment; <i>no 4x4 junction kit required</i>			
5' length	-	FGS-KT03-A1	FGSB-KT03-A1
10' length	-	FGS-KT03-A1-10F	FGSB-KT03-A1-10F
15' length	-	FGS-KT03-A1-15F	FGSB-KT03-A1-15F
Quad 2" flex tube attachment; <i>no 4x4 junction kit required</i>			
(4) 5' length	-	FGS-KT03-A4-5F	FGSB-KT03-A4-5F
(4) 10' length	-	FGS-KT03-A4-10F	FGSB-KT03-A4-10F
(4) 15' length	-	FGS-KT03-A 4-15F	FGSB-KT03-A4-15F
4x4 quad 7/8" flex tube attachment; <i>no 4x4 junction kit required</i>			
(4) 5' length	-	FGS-KT07-A4-5F	FGSB-KT07-A4-5F
(4) 10' length	-	FGS-KT07-A4-10F	FGSB-KT07-A4-10F
(4) 15' length	-	FGS-KT07-A4-15F	FGSB-KT07-A4-15F

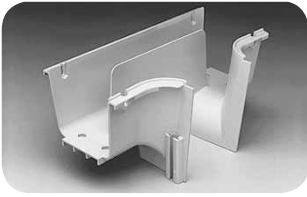
*A third junction is needed if drop is to a fitting or straight section.

**This drop junction must be a junction type FGS-MJWR-A, FGSB-MJWR-A.

Other nonstandard colors available by request

4x4 System

Downspouts and Attachments - 4" H x 4" W



Downspout
(FGS-MDSP-A)



Cover for 4x4 Downspout
(FGS-MCDS-AB)



Extended Downspout
(FGS-MDSP-EX-A)
shown with and without cover)



Insertable Downspout
(FGS-MDSP-A/I)



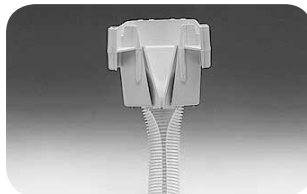
Trumpet Flare
(FGS-MTRM-A)



Downspout Exit Junction Kit
(FGS-MJWR-A)



4x4/4x6 Downspout Insert
(FGS-HDSI-AB)



**4" Square to 2" Round Adapter
with Flex Tube**
(FGS-ASRI)
requires FGS-MJWR-A
Junction Kit)



Dual 2" Flex Tube Attachment
(FGS-KT03-A)



Single 2" Flex Tube Attachment
(FGS-KT03-A1)



2" Quad Flex Tube Attachment
(FGS-KT03-A4)

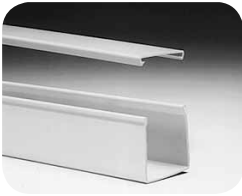
4x4 System

4x4 System

Straight Section and Snap-Fit™ Junction – 4" H x 4" W

Straight Section

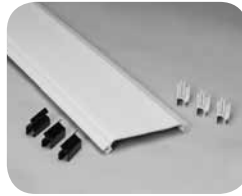
The unique four-channel design of the 4x4 FiberGuide® straight section allows the standard system to be attached to the support structure without the need to cut or drill any holes within the trough. This ensures that the patch cords will not come in contact with any screw heads or bolts, an important consideration in 4x4 systems where higher cable counts apply increased pressure on patch cords at the bottom of the trough.



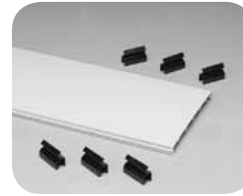
Horizontal Straight Section
(FGS-MSHS-A)



Expandable Straight Section
(FGS-MVAR-A)



Hinged Cover for Horizontal Straight Section
(FGS-MSNC-A)



Snap-On Cover for Horizontal Straight Section
(FGS-MSSC-A)

ORDERING INFORMATION

Description	Catalog Number	
	Yellow System	Black System
4x4 straight section		
Horizontal straight section; 6' long, cover sold separately	FGS-MSHS-A	FGSB-MSHS-A
Expandable straight section	FGS-MVAR-A	FGSB-MVAR-A
4x4 accessories		
Hinged cover kit for horizontal straight section; includes three mounting hinges and three clips	FGS-MSNC-A	FGSB-MSNC-A
Snap-on cover kit for horizontal straight section; includes six capture clips with mounting clasps	FGS-MSSC-A	FGSB-MSSC-A
Kit - 10 black capture clips*	FGS-DHCP	FGS-DHCP
Kit - 10 black capture clips and 10 hinges*	FGS-DHHC (Yellow Hinge)	FGSB-DHHC (Black Hinge)

*See drawings on page 40 for more detail on how capture clips and hinges are used. Other nonstandard colors available by request.

Snap-Fit™ Junction

The Snap-Fit™ junction assembly is available for the 4-inch FiberGuide® system. The Snap-Fit junction is a completely tool-less junction. No additional tools are required for installation or removal. The junction exhibits superior holding force and accommodates support brackets. A warning label indicating caution around fiber optic cable is included with each junction kit.



Snap-Fit Junction
(FGS-MFAW-A)

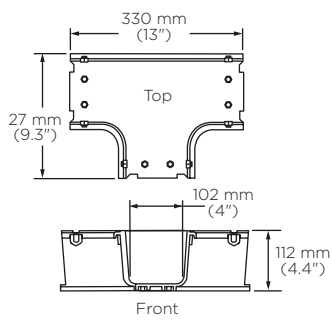
ORDERING INFORMATION

Description	Catalog Number	
	Yellow System	Black System
4x4 Snap-Fit™ junction	FGS-MFAW-A	FGSB-MFAW-A

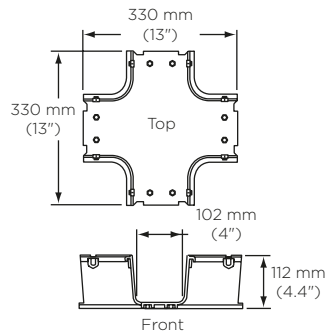
Other nonstandard colors available by request.

4x4 System

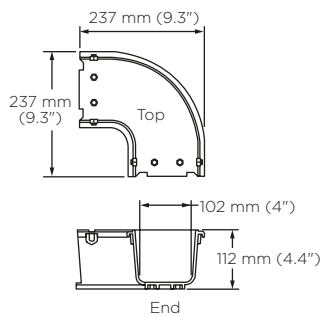
Part Drawings



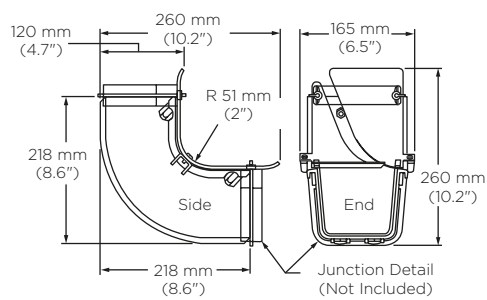
Horizontal T
(FGS-MHRT-A)



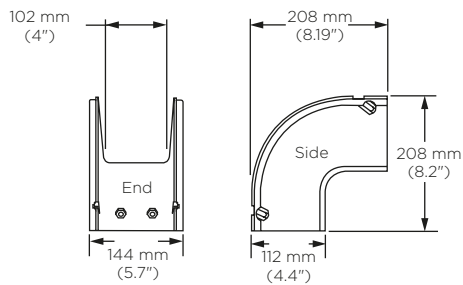
Horizontal Cross
(FGS-MHXP-A)



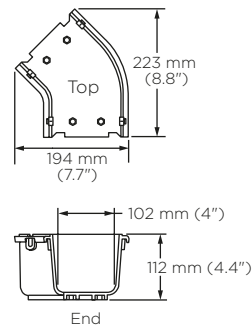
90° Horizontal Elbow
(FGS-MH9E-A)



90° Up Elbow
(FGS-MU9E-A)



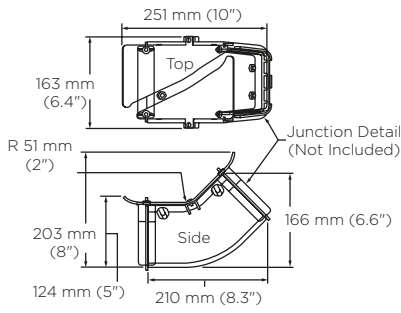
90° Down Elbow
(FGS-MD9E-A)



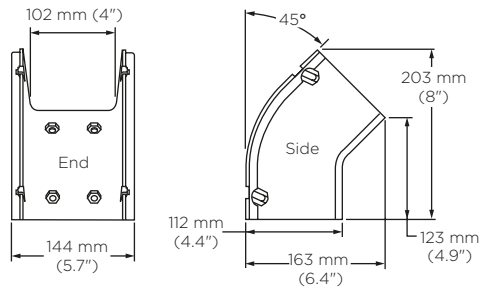
45° Horizontal Elbow
(FGS-MH4E-A)

4x4 System

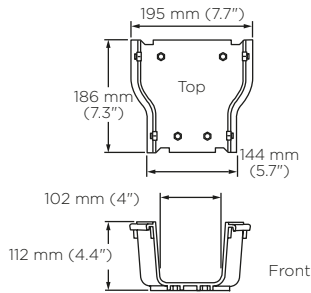
Part Drawings



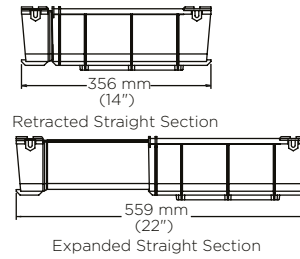
45° Up Elbow
(FGS-MU4E-A)



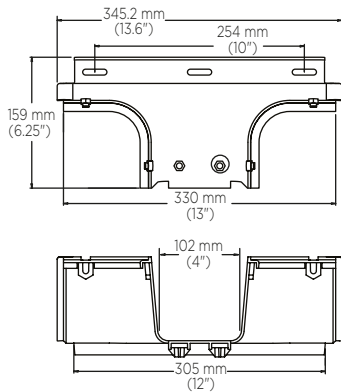
45° Down Elbow
(FGS-MD4E-A)



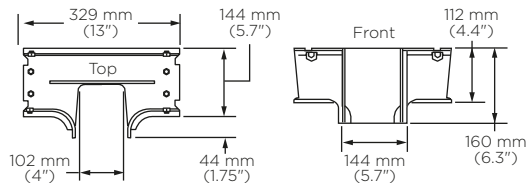
4x4 to 4x6 Straight Adapter
(FGS-MDSA-AB)



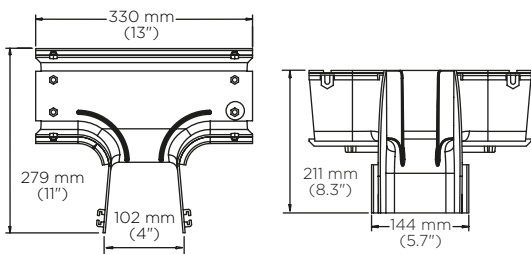
Expandable Straight Section
(FGS-MVAR-A)



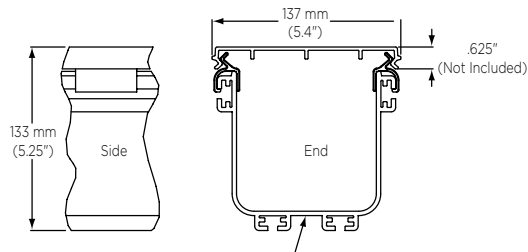
Cut-in T
(FGS-MHIS-A)



Downspout
(FGS-MDSP-A)



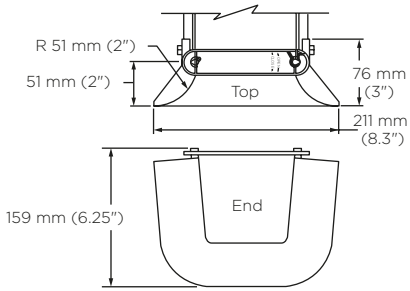
Extended Downspout
(FGS-MDSP-EX-A)



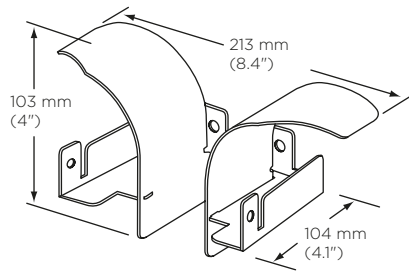
Snap-On Cover for 4" Straight Section
(FGS-MSSC-A)

4x4 System

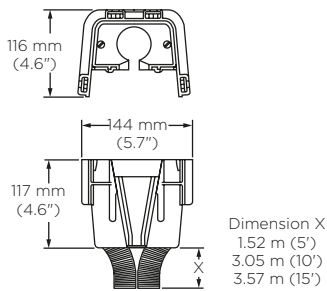
Part Drawings



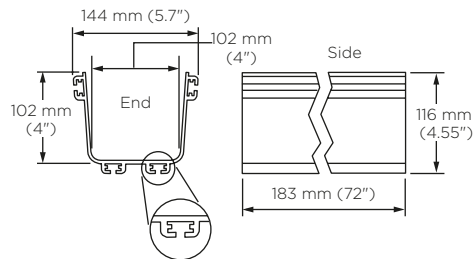
Trumpet Flare
(FGS-MTRM-A)



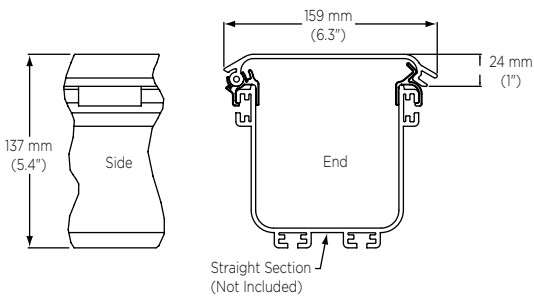
4x4/4x6 Downspout Insert
(FGS-HDSI-AB)



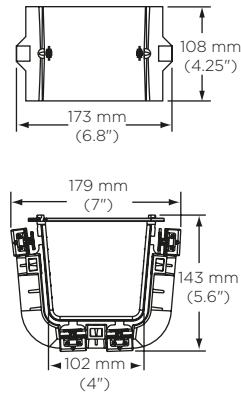
4" Square to 2" Round Adapter with Flex Tube
(FGS-ASRI-X*)



Horizontal Straight Section
(FGS-MSHS-A)

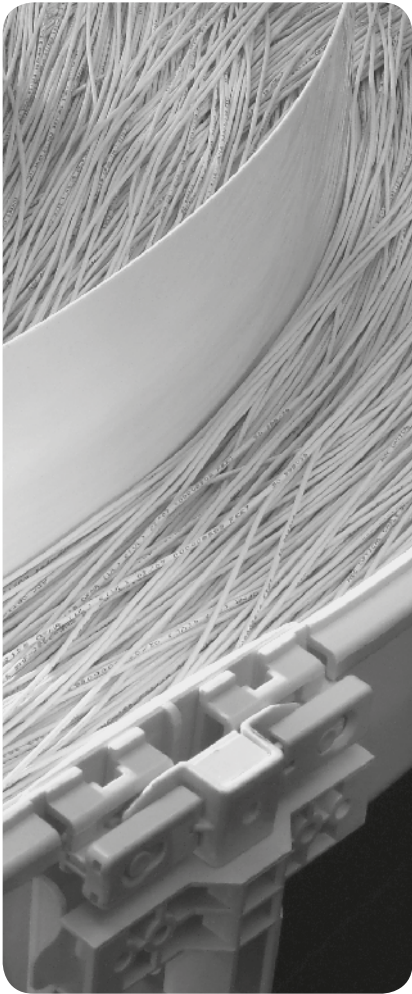


Hinged Cover for 4" Horizontal Straight Section
(FGS-MSNC-A)



Snap-Fit Junction
(FGS-MFAW-A)

*Replace X with tube length as follows: 5F=5 feet, 10F=10 feet, 15F=15 feet



4x6 System

Fittings.....	42-43
Downspouts and Attachments.....	44-45
Straight Section.....	46
Snap-Fit™ Junction.....	46
Parts Drawings.....	47-48

4x6 System

Fittings - 4" H x 6" W

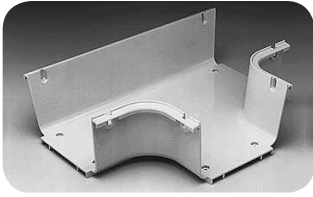
ORDERING INFORMATION

Description	Catalog Number					
	Number of Junctions	Yellow System	Yellow System Snap-on Cover	Black System	Black System Snap-on Cover	Fixed Metal Cover
4x6 fittings						
Horizontal T	3	FGS-MHRT-B	FGS-SHRT-B	FGSB-MHRT-B	FGSB-SHRT-B	FGS-CHRT-B
Horizontal cross	4	FGS-MHXP-B	FGS-SHXP-B	FGSB-MHXP-B	FGSB-SHXP-B	FGS-CHXP-B
90° horizontal elbow	2	FGS-MH9E-B	FGS-SH9E-B	FGSB-MH9E-B	FGSB-SH9E-B	FGS-CH9E-B
90° up elbow metal cover included	2	FGS-MU9E-B	-	FGSB-MU9E-B	-	FGS-CU9E-B
90° down elbow	2	FGS-MD9E-B	FGS-SD9E-B	FGSB-MD9E-B	FGSB-SD9E-B	FGS-CD9E-B
45° horizontal elbow	2	FGS-MH4E-B	FGS-SH4E-B	FGSB-MH4E-B	FGSB-SH4E-B	FGS-CH4E-B
45° up elbow metal cover included	2	FGS-MU4E-B	FGS-SU4E-B	FGSB-MU4E-B	FGSB-SU4E-B	FGS-CU4E-B
45° down elbow	2	FGS-MD4E-B	FGS-SD4E-B	FGSB-MD4E-B	FGSB-SD4E-B	FGS-CD4E-B
4x6 conversions						
4x4 to 4x6 straight adapter	(1) 4x4, (1) 4x6	FGS-MDSA-AB	FGS-SDSA-AB	FGSB-MDSA-AB	FGSB-SDSA-AB	FGS-CDSA-AB
4x12 to single 4x6 adapter	-	FGS-MDSA-FB	FGS-SDSA-FB	FGSB-MDSA-FB	FGSB-SDSA-FB	-
4x6 expandable straight section	2	FGS-MVAR-B	-	FGSB-MVAR-B	-	-
4" Cut-in T; assembly hardware included	-	FGS-MHIS-A	-	FGSB-MHIS-A	-	-
6" Cut-in T; assembly hardware included	-	FGS-MHIS-B	-	FGSB-MHIS-B	-	-
12" Cut-in T; assembly hardware included	-	FGS-MHIS-F	-	FGSB-MHIS-F	-	-
Cut-in T fixture	-	FGS-MHIS-JIG-A/B/F	-	FGS-MHIS-JIG-A/B/F	-	-
4x6 end cap	-	FGS-HMEC-B	-	FGS-HMEC-B	-	-

Other nonstandard colors available by request.

4x6 System

Fittings - 4" H x 6" W



Horizontal T
(FGS-MHRT-B)



Horizontal Cross
(FGS-MHXP-B)



90° Horizontal Elbow
(FGS-MH9E-B)



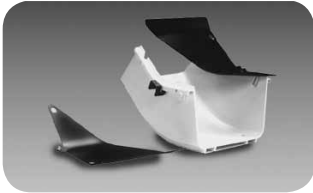
90° Up Elbow
Cover Included
(FGS-MU9E-B)



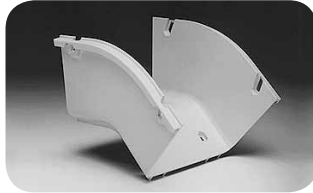
90° Down Elbow
(FGS-MD9E-B)



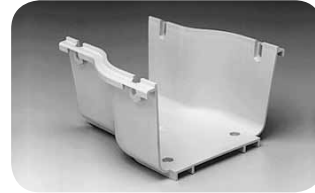
45° Horizontal Elbow
(FGS-MH4E-B)



45° Up Elbow
Cover Included
(FGS-MU4E-B)



45° Down Elbow
(FGS-MD4E-B)



4x4 to 4x6 Straight Adapter
(FGS-MDSA-AB)



Expandable Straight Section
(FGS-MVAR-B)



6" Cut-in T
(FGS-MHIS-B)



Cut-in T Fixture
(FGS-MHIS-JIG-A/B/F shown on a straight section)



4x12 to Single 4x6 Adapter
(FGS-MDSA-FB)
(Cover: FGS-SDSA-FB)



End Cap
(FGS-HMEC-B)



Snap-on Plastic Cover
(FGS-SH4E-B shown attached to 45° horizontal elbow with junctions)

4x6 System

Downspouts and Attachments – 4" H x 6" W

4x6 downspouts and attachments feed fiber from overhead straight sections into fiber optic equipment below. All 4x6 downspouts feature 4-inch exits and attach to the 4-inch x 4-inch attachments listed below.

ORDERING INFORMATION

Description	Catalog Number		
	Number of Junctions	Yellow System	Black System
4x6 downspouts			
Downspout Note: If a trumpet flare is required use a 4x4 flare (FGS-MTRM-A)	2*	FGS-MDSP-B	FGSB-MDSP-B
Cover for 4x6 downspout and dual downspout	-	FGS-MCDS-AB**	FGSB-MCDS-AB**
Extended downspout	2	FGS-MDSP-EX-B	FGSB-MDSP-EX-B
Cover for 4x6 extended downspout	-	FGS-MCDS-EX-AB	FGSB-MCDS-EX-AB
Insertable downspout	-	FGS-MDSP-B/I	FGSB-MDSP-B/I
Dual drop downspout	2*	FGS-MDSP-2B	FGSB-MDSP-2B
Trumpet flare for dual drop downspout (kit of 2 FGS-MTRM-A)	-	FGS-MTRM-2B	FGSB-MTRM-2B
Dual drop downspout with divider	2	FGS-MDSP-2B-IMP	FGSB-MDSP-2B-IMP
Trumpet flare for dual drop downspout with divider (kit of 2)	-	FGS-MTRM-2B-IMP	FGSB-MTRM-2B-IMP
Downspout with exit junction	-	FGS-MJWR-A	FGSB-MJWR-A
4x4/4x6 downspout insert; <i>converts bottom of downspout to 2x2 without using 2" to 4" adapter, saving vertical space</i>	-	FGS-HDSI-AB	FGSB-HDSI-AB
Trumpet flare; used on both 4x4 and 4x6 downspouts – <i>no 4" junction kit required</i>	-	FGS-MTRM-A	FGSB-MTRM-A
4x6 attachments			
4x4 square to 2" round adapter with flex tube; <i>one 4x4 junction kit (FGS-MJWR-A) required to attach to a downspout drop</i>			
5' length	1	FGS-ASRI-5F	FGSB-ASRI-5F
10' length	1	FGS-ASRI-10F	FGSB-ASRI-10F
15' length	1	FGS-ASRI-15F	FGSB-ASRI-15F
4x4 dual 2" flex tube attachment; <i>no 4x4 junction kit required</i>			
(2) 5' length	-	FGS-KT03-A	FGSB-KT03-A
(2) 10' length	-	FGS-KT03-A10F	FGSB-KT03-A10F
(2) 15' length	-	FGS-KT03-A15F	FGSB-KT03-A15F
4x4 single 2" flex tube attachment; <i>no 4x4 junction kit required</i>			
5' length	-	FGS-KT03-A1	FGSB-KT03-A1
10' length	-	FGS-KT03-A1-10F	FGSB-KT03-A1-10F
15' length	-	FGS-KT03-A1-15F	FGSB-KT03-A1-15F
4x4 quad 2" flex tube attachment; <i>no 4x4 junction kit required</i>			
(4) 5' length	-	FGS-KT03-A4-5F	FGSB-KT03-A4-5F
(4) 10' length	-	FGS-KT03-A4-10F	FGSB-KT03-A4-10F
(4) 15' length	-	FGS-KT03-A4-15F	FGSB-KT03-A4-15F
4x4 quad 7/8" flex tube attachment; <i>no 4x4 junction kit required</i>			
(4) 5' length	-	FGS-KT07-A4-5F	FGSB-KT07-A4-5F
(4) 10' length	-	FGS-KT07-A4-10F	FGSB-KT07-A4-10F
(4) 15' length	-	FGS-KT07-A4-15F	FGSB-KT07-A4-15F

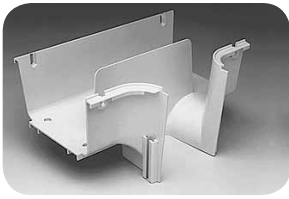
*A 4x4 junction is needed to drop to a fitting or a straight section. This drop junction must be a junction type FGS-MJWR-A or FGSB-MJWR-A.

**Dual downspout requires two covers.

Other nonstandard colors available by request.

4x6 System

Downspouts and Attachments - 4" H x 6" W



Downspout
(FGS-MDSP-B)



Cover for 4x6 Downspout
(FGS-MCDS-AB)



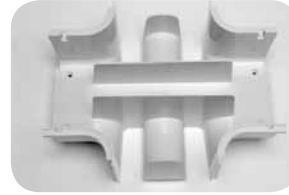
Extended Downspout
(FGS-MDSP-EX-B
shown with and without cover)



Insertable Downspout
(FGS-MDSP-B/I)



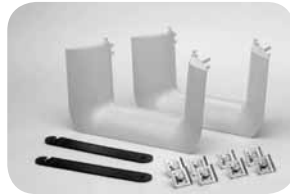
Dual Downspout
(FGS-MDSP-2B)



**Dual Downspout
with Divider**
(FGS-MDSP-2B-IMP)



**Trumpet Flare Kit for 4x6
Dual Downspout**
(FGS-MTRM-2B)



**Trumpet Flare Kit for Dual
Downspout with Divider**
(FGS-MTRM-2B-IMP)



**Single 2"
Flex Tube Attachment**
(FGS-KT03-A1)



Trumpet Flare Kit
(FGS-MTRM-A)



4x4/4x6 Downspout Insert
(FGS-HDSI-AB)



Downspout Exit Junction Kit
(FGS-MJWR-A)



**4" Square to 2" Round
Adapter with Flex Tube**
(FGS-ASRI requires
FGS-MJWR-A junction kit)



Dual 2" Flex Tube Attachment
(FGS-KT03-A)



**2" Quad Flex
Flex Tube Attachment**
(FGS-KT03-A4)

4x6 System

Straight Section and Snap-Fit™ Junction – 4" H x 6" W

Straight Section

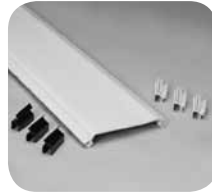
The unique four-channel design of the 4x6 FiberGuide® straight section allows the standard system to be attached to the support structure without the need to cut or drill any holes within the trough. This ensures that the patch cords will not come in contact with any screw heads or bolts, an important consideration in 4x6 systems where higher cable counts apply increased pressure on patch cords at the bottom of the trough.



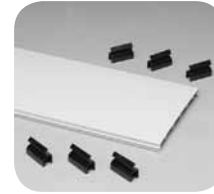
Horizontal Straight Section
(FGS-MSHS-B)



Expandable Straight Section
(FGS-MVAR-B)



Hinged Cover Kit for Horizontal Straight Section
(FGS-MSNC-B/G)



6" Snap-on Cover for Horizontal Straight Section
(FGS-MSSC-B/G)

ORDERING INFORMATION

Description	Catalog Number	
	Yellow System	Black System
4x6 straight sections		
Horizontal straight section; 6' long, cover sold separately	FGS-MSHS-B	FGSB-MSHS-B
Expandable straight section	FGS-MVAR-B	FGSB-MVAR-B
Slack storage straight section	FGS-MSHS-STOR-B	FGSB-MSHS-STOR-B
4x6 accessories		
Hinged cover kit for horizontal straight section; includes three mounting hinges and three clips	FGS-MSNC-B/G	FGSB-MSNC-B/G
6" snap-on cover kit for horizontal straight section; includes six capture clips with mounting clasps	FGS-MSSC-B/G	FGSB-MSSC-B/G
Kit - 10 black capture clips*	FGS-DHCP	FGS-DHCP
Kit - 10 black capture clips and 10 hinges*	FGS-DHHC (Yellow Hinge)	FGSB-DHHC (Black Hinge)

*See drawings on page 50 for more detail on how capture clips and hinges are used. Other nonstandard colors available by request.

Snap-Fit™ Junction

The Snap-Fit™ junction assembly is available for the 6-inch FiberGuide® system. The new junction is a completely tool-less junction. No additional tools are required for installation or removal. The Snap-Fit Junction exhibits superior holding force and accommodates support brackets. A warning label indicating caution around fiber optic cable is included with each junction kit.



Snap-Fit Junction
(FGS-MFAW-B)

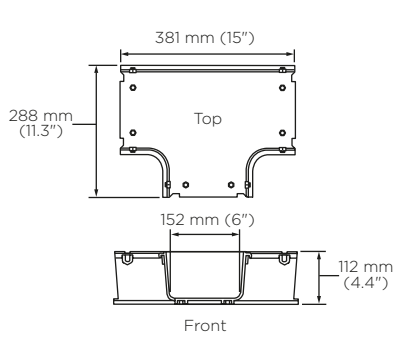
ORDERING INFORMATION

Description	Catalog Number	
	Yellow System	Black System
4x6 Snap-fit junction	FGS-MFAW-B	FGSB-MFAW-B

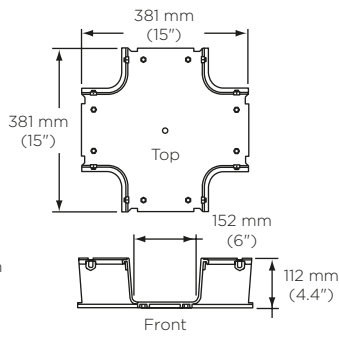
Other nonstandard colors available by request.

4x6 System

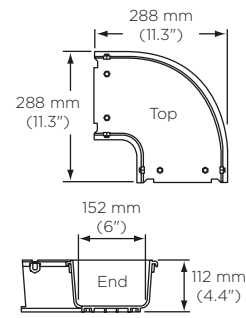
Part Drawings



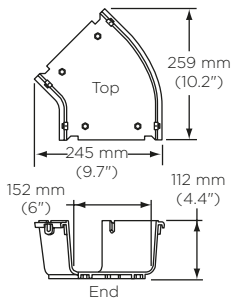
Horizontal T
(FGS-MHRT-B)



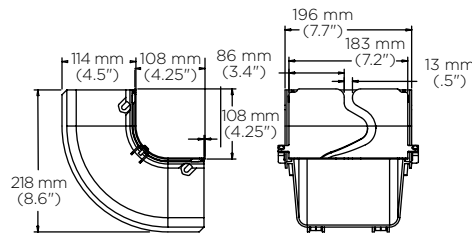
Horizontal Cross
(FGS-MHXP-B)



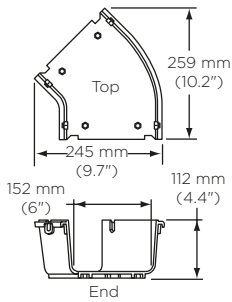
90° Horizontal Elbow
(FGS-MH9E-B)



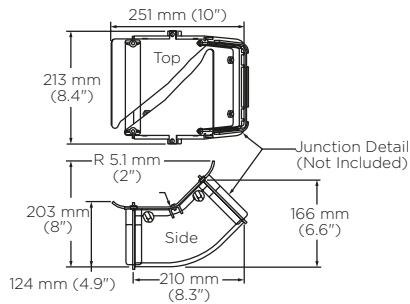
45° Horizontal Elbow
(FGS-MH4E-B)



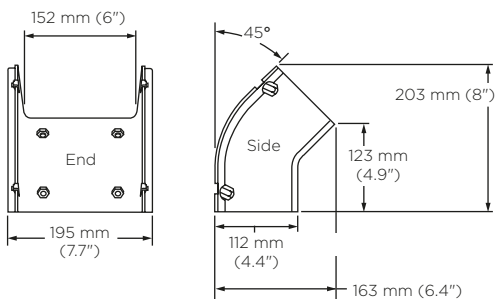
90° Up Elbow
(FGS-MU9E-B)



90° Down Elbow
(FGS-MD9E-B)



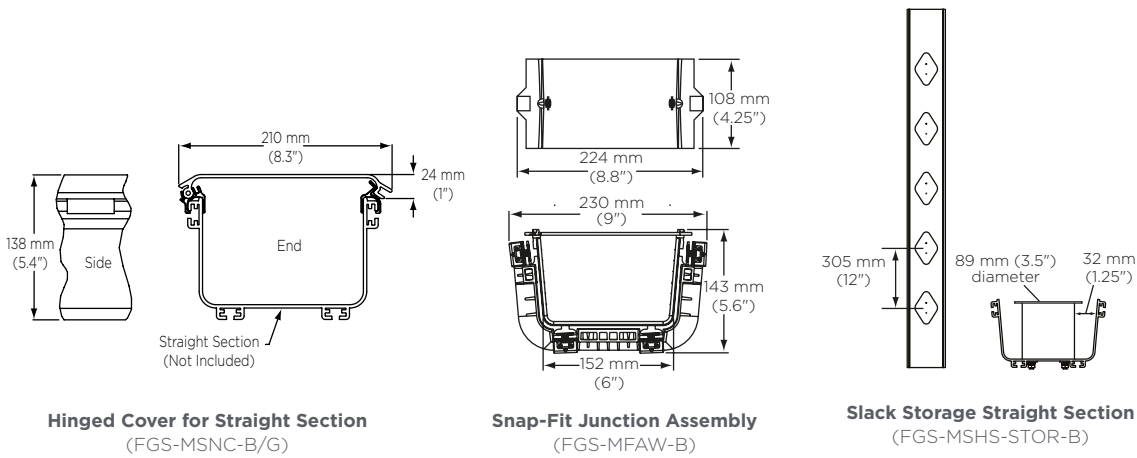
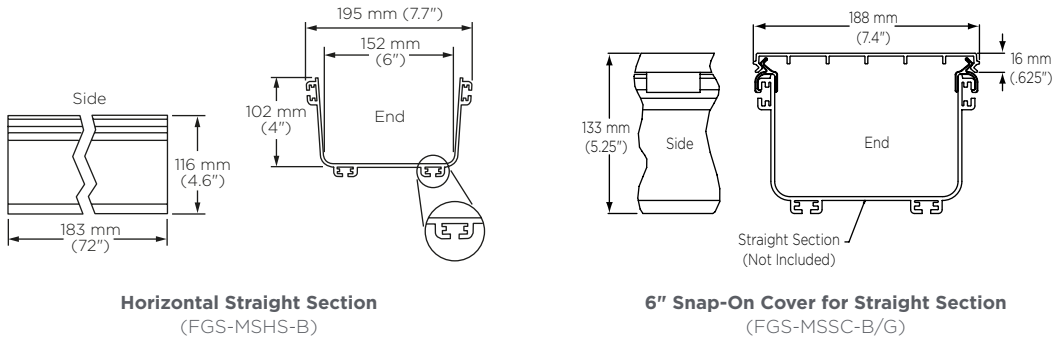
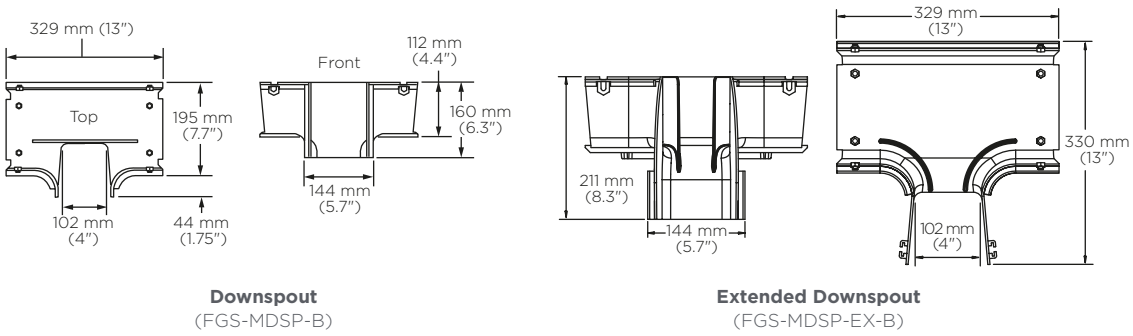
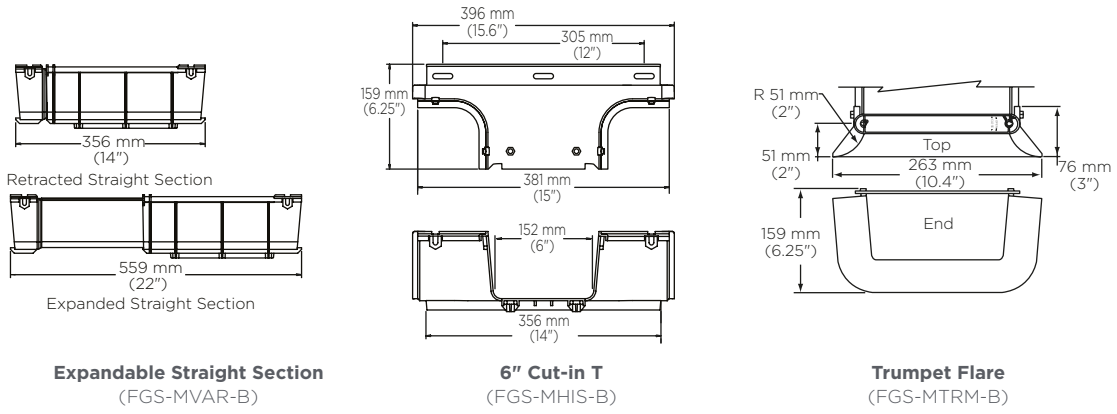
45° Up Elbow
(FGS-MU4E-B)



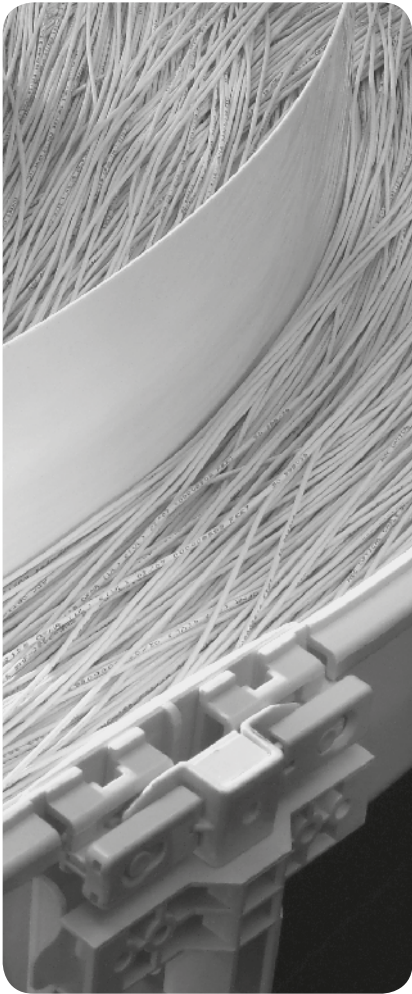
45° Down Elbow
(FGS-MD4E-B)

4x6 System

Part Drawings



4x6 System



4x12 System

Fittings.....	50-51
Downspouts and Attachments	52-53
Straight Section	54
Snap-Fit™ Junction	55
Part Drawings.....	56-58

4x12 System

Fittings - 4" H x 12" W

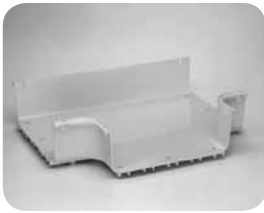
ORDERING INFORMATION

Description	Catalog Number				
	Number of Junctions	Yellow System	Yellow System Snap-on Cover	Black System	Black System Snap-on Cover
4x12 fittings					
Horizontal T	3	FGS-MHRT-F	FGS-SHRT-F	FGSB-MHRT-F	FGSB-SHRT-F
Horizontal cross	4	FGS-MHXP-F	FGS-SHXP-F	FGSB-MHXP-F	FGSB-SHXP-F
90° horizontal elbow	2	FGS-MH9E-F	FGS-SH9E-F	FGSB-MH9E-F	FGSB-SH9E-F
90° down elbow	2	FGS-MD9E-F	FGS-SD9E-F	FGSB-MD9E-F	FGSB-SD9E-F
45° horizontal elbow	2	FGS-MH4E-F	FGS-SH4E-F	FGSB-MH4E-F	FGSB-SH4E-F
45° up elbow	2	FGS-MU4E-F	FGS-SU4E-F	FGSB-MU4E-F	FGSB-SU4E-F
45° down elbow	2	FGS-MD4E-F	FGS-SD4E-F	FGSB-MD4E-F	FGSB-SD4E-F
Horizontal T with single 6" exit	(2) 4x12, (1) 4x6	FGS-MHRT-F/B	FGS-SHRT-F/B	FGSB-MHRT-F/B	FGSB-SHRT-F/B
Horizontal cross with two 6" exits	(2) 4x12, (2) 4x6	FGS-MHXP-B/F	FGS-SHXP-B/F	FGSB-MHXP-B/F	FGSB-SHXP-B/F
4x12 conversions					
4x12 to dual 4x6 adapter	(1) 4x12, (2) 4x6	FGS-MDSA-F2B	FGS-SDSA-F2B	FGSB-MDSA-F2B	FGSB-SDSA-F2B
4x12 to single 4x6 adapter	(1) 4x12, (1) 4x6	FGS-MDSA-FB	FGS-SDSA-FB	FGSB-MDSA-FB	FGSB-SDSA-FB
4x12 to 4x6 right adapter; <i>includes fastening hardware</i>		FGS-MDSA-FB-R		FGS-MDSA-FB-R	
Fixed metal cover for right adapter		FGS-VDSA-FB-R		FGS-VDSA-FB-R	
4x12 to 4x6 left adapter; <i>includes fastening hardware</i>		FGS-MDSA-FB-L		FGS-MDSA-FB-L	
Fixed metal cover for left adapter		FGS-VDSA-FB-L		FGS-VDSA-FB-L	
Expandable straight section	2	FGS-MVAR-F	-	FGSB-MVAR-F	-
4" Cut-in T; <i>assembly hardware included</i>	-	FGS-MHIS-A	-	FGSB-MHIS-A	-
6" Cut-in T; <i>assembly hardware included</i>	-	FGS-MHIS-B	-	FGSB-MHIS-B	-
12" Cut-in T; <i>assembly hardware included</i>	-	FGS-MHIS-F	-	FGSB-MHIS-F	-
Cut-in T fixture	-	FGS-MHIS-JIG-A/B/F	-	FGS-MHIS-JIG-A/B/F	-
4x12 end cap		FGS-HMEC-F		FGS-HMEC-F	
4x12 variable support locator kits for; <i>Each kit contains all necessary mounting hardware. Fitting sold separately.</i>					
FGS-MDSP-F (downspout)		FGS-MDSP-F-VS		FGS-MDSP-F-VS	
FGS-MHRT-F (horizontal T)		FGS-MHRT-F-VS		FGS-MHRT-F-VS	
FGS-MHXP-F (horizontal cross)		FGS-MHXP-F-VS		FGS-MHXP-F-VS	
FGS-MH9E-F (90° horizontal elbow)		FGS-MH9E-F-VS		FGS-MH9E-F-VS	
FGS-MHRT-F/B (horizontal T - 6"/12")		FGS-MHRT-F/B-VS		FGS-MHRT-F/B-VS	
FGS-MHXP-B/F (horizontal cross- 6"/12")		FGS-MHXP-B/F-VS		FGS-MHXP-B/F-VS	

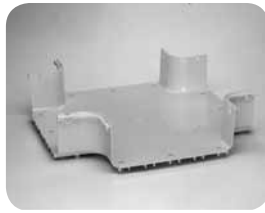
Other nonstandard colors available by request.

4x12 System

Fittings - 4" H x 12" W



Horizontal T
(FGS-MHRT-F)



Horizontal Cross
(FGS-MHXP-F)



90° Horizontal Elbow
(FGS-MH9E-F)



90° Down Elbow
(FGS-MD9E-F)



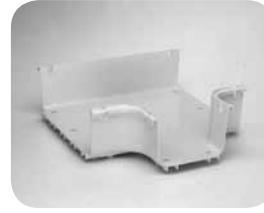
45° Horizontal Elbow
(FGS-MH4E-F)



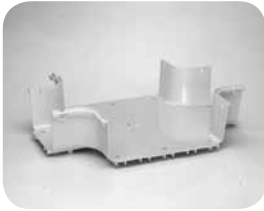
45° Up Elbow
(FGS-MU4E-F)



45° Down Elbow
(FGS-MD4E-F)



Horizontal T with Single 6" Exit
(FGS-MHRT-F/B)



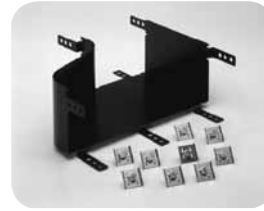
Horizontal Cross with Two 6" Exits
(FGS-MHXP-B/F)



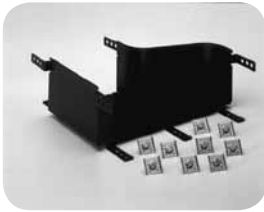
4x12 to Dual 4x6 Adapter
(FGS-MDSA-F2B)



4x12 to Single 4x6 Adapter
(FGS-MDSA-FB)



4x12 to 4x6 Adapter - Right
(FGS-MDSA-FB-R)



4x12 to 4x6 Adapter - Left
(FGS-MDSA-FB-L)



End Cap
(FGS-HMEC-F)



Expandable Straight Section
(FGS-MVAR-F)



12" Cut-in T
(FGS-MHIS-F)



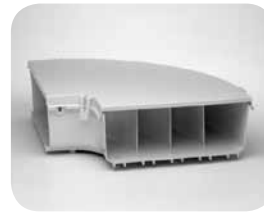
Cut-in T Fixture
(FGS-MHIS-JIG-A/B/F shown on a straight section)



Snap-on Cover
(FGS-SH4E-F shown separate)



Snap-on Cover Installation



Snap-on Cover
(FGS-SH4E-F shown installed)

4x12 System

4x12 System

Downspouts and Attachments – 4" H x 12" W

An array of 4x12 downspouts and attachments are available to feed fiber from overhead straight sections into fiber optic equipment below. The 4x12 downspout features a 4x6 exit and accepts the 4x6 exit attachments listed below.

ORDERING INFORMATION

Description	Number of Junctions	Catalog Number	
		Yellow System	Black System
4x12 downspouts			
Downspout	2*	FGS-MDSP-F	FGSB-MDSP-F
Cover for 4x12 downspout	-	FGS-SDSP-F	FGSB-SDSP-F
Insertable downspout	-	FGS-MDSP-F/I	FGSB-MDSP-F/I
Trumpet flare	-	FGS-MTRM-F	FGSB-MTRM-F
Downspout with rear T	3*	FGS-MDRT-F	FGSB-MDRT-F
Island T with spool and factory installed trumpet flare; <i>designed for use over Next Generation Frame Storage Bay</i>	2	FGS-ISLAND-F	FGSB-ISLAND-F
Island T with trumpet and dividing spool; <i>designed for use over 600 mm wide Next Generation Frame – Variable Support Locator Kit included</i>	2	FGS-ISLAND-F-513	FGSB-ISLAND-F-513
Island T with recessed dividing spool	3	FGS-ISLAND3-F	FGSB-ISLAND3-F
4x12 attachments			
4x6 dual 2" flex tube attachment			
5' length	-	FGS-KT03-B	FGSB-KT03-B
10' length	-	FGS-KT03-B-10F	FGSB-KT03-B-10F
15' length	-	FGS-KT03-B-15F	FGSB-KT03-B-15F
4x6 trumpet flare kit; <i>used on 4x12 downspouts</i>		FGS-MTRM-B	FGSB-MTRM-B
4x12 to 4x4 downspout converter; <i>converts downspout opening to accept 4x4 slotted duct</i>	-	FGS-HDSI-F/D	FGS-HDSI-F/D
4x12 to 2x2 downspout converter	-	FGS-HDSI-F/C	FGS-HDSI-F/C

*An additional junction is needed if drop is to fitting or straight section. This 4x6 junction must be a junction type FGS-MFAW-B, FGSB-MFAW-B.

Other nonstandard colors available by request.

4x12 System

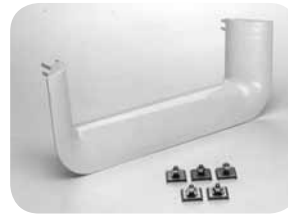
Downspouts and Attachments - 4" H x 12" W



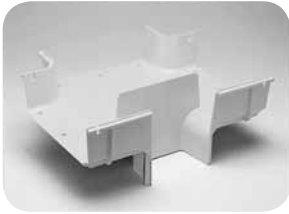
Downspout
(FGS-MDSP-F)



Cover for 4x12 Downspout
(FGS-SDSP-F)



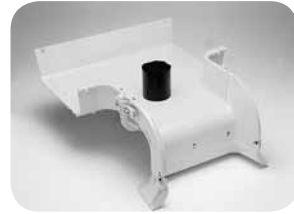
Trumpet Flare
(FGS-MTRM-F)



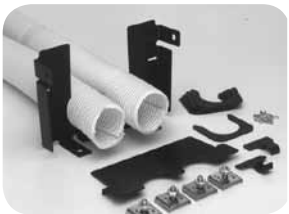
Downspout with Rear T
(FGS-MDRT-F)



Island T
(FGS-ISLAND-F)



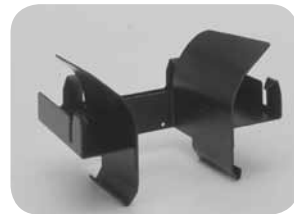
Island T with Recessed Dividing Spool
(FGS-ISLAND3-F shown with 12" Junction, 90° Down Elbow and Trumpet Flare)



4x6 Dual 2" Flex Tube Attachment
(FGS-KT03-B)



4x6 Trumpet Flare Kit
(FGS-MTRM-B shown alone and attached to 4x12 Downspout)



4x12 to 4x4 Downspout Converter
(FGS-HDSI-F/D)



The FGS-HDSI-F/D attached to both the 4x12 downspout and the 4x4 slotted duct without the use of hardware



4x12 System

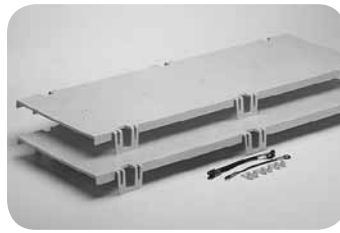
Straight Section - 4" H x 12" W

The unique nine-channel design of the 4x12 FiberGuide® straight section provides unmatched strength and allows the attachment of support structure without the need to cut or drill holes within the raceway. This ensures that the patch cords will not come in contact with any screw heads or bolts, an important consideration in 4x4, 4x6, and 4x12 systems where higher cable counts apply increased pressure on the patch cords at the bottom of the raceway.

The 4x12 system covers feature a snap-on design. This allows the cover to be used in environments with limited headroom. Two 3-foot cover sections come with each order, making it easy for one person to remove the covers. Each cover kit includes a tether kit. The straight section covers are designed to be placed over the 4x12 downspouts, speeding installation time by reducing the number of measurements and cuts that need to be made.



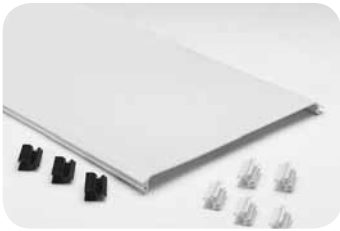
Horizontal Straight Section
(FGS-MSHS-F)



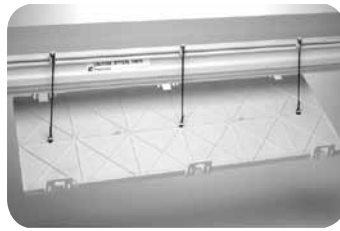
Horizontal Straight Section Cover
(FGS-MSSC-F includes two 3' Lengths and Tethering Hardware)



Expandable Straight Section
(FGS-MVAR-F)



12" Hinged Cover for Horizontal Straight Section
(FGS-MSNC-F)



Straight Section Cover in Tethered Position



Straight Section Cover Attached to Straight Section

ORDERING INFORMATION

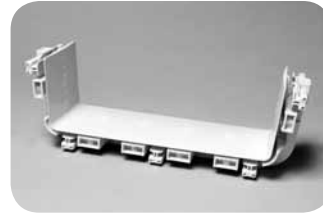
Description	Catalog Number	
	Yellow System	Black System
4x12 straight section		
Horizontal straight section; 6' long, cover sold separately	FGS-MSHS-F	FGSB-MSHS-F
Expandable straight section	FGS-MVAR-F	FGSB-MVAR-F
Slack storage straight section	FGS-MSHS-STOR-F	FGSB-MSHS-STOR-F
4x12 accessories		
Hinged cover kit for horizontal straight section; includes five mounting hinges and three clips	FGS-MSNC-F	FGSB-MSNC-F
Snap-on cover kit* for horizontal straight section; includes 3' covers, optional tethering kit	FGS-MSSC-F	FGSB-MSSC-F
Kit - 10 black capture clips*	FGS-DHCP	FGSB-DHCP
Kit - 10 black capture clips and 10 hinges	FGS-DHHC	FGSB-DHHC

*See drawings on page 60 for more detail on how capture clips and hinges are used. Other nonstandard colors available by request.

4x12 System

Snap-Fit™ Junction - 4" H x 12" W

The new Snap-Fit™ junction is available for the 12-inch FiberGuide® system. The Snap-Fit junction is a completely tool-less junction. No additional tools are required for installation or removal. The Snap-Fit junction exhibits superior holding force and accommodates support brackets.



4x12 Snap-Fit Junction
(FGS-MFAW-F)

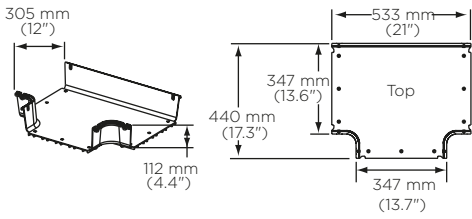
ORDERING INFORMATION

Description	Catalog Number	
	Yellow System	Black System
4x12 Snap-Fit™ junction	FGS-MFAW-F	FGSB-MFAW-F

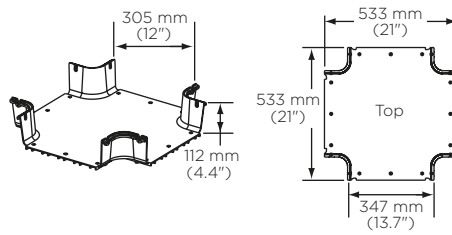
Other nonstandard colors available by request.

4x12 System

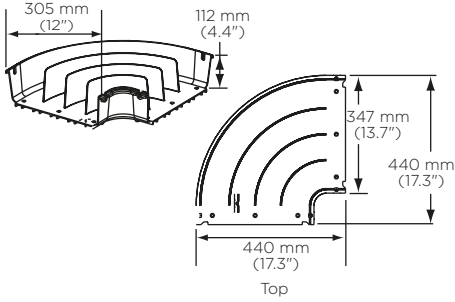
Part Drawings



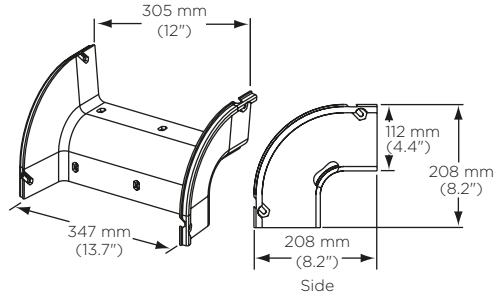
Horizontal T
(FGS-MHRT-F)



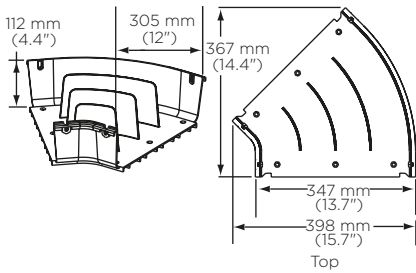
Horizontal Cross
(FGS-MHXP-F)



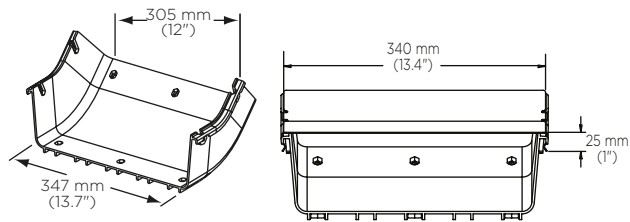
90° Horizontal Elbow
(FGS-MH9E-F)



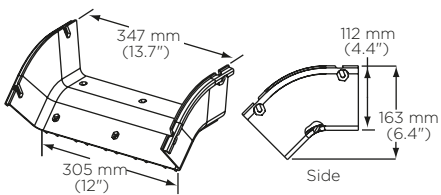
90° Down Elbow
(FGS-MD9E-F)



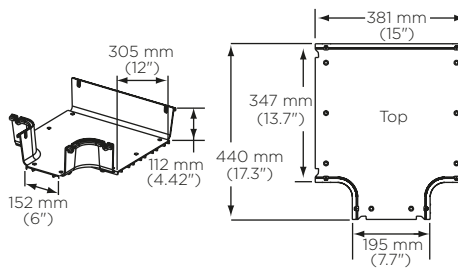
45° Horizontal Elbow
(FGS-MH4E-F)



45° Up Elbow
(FGS-MU4E-F)



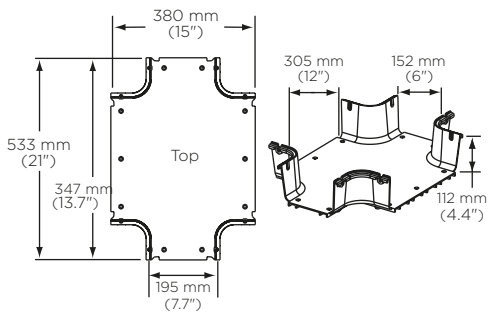
45° Down Elbow
(FGS-MD4E-F)



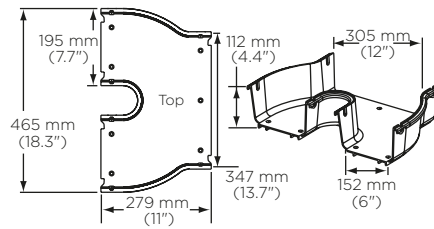
Horizontal T with (one) 6" Exit
(FGS-MHRT-F/B)

4x12 System

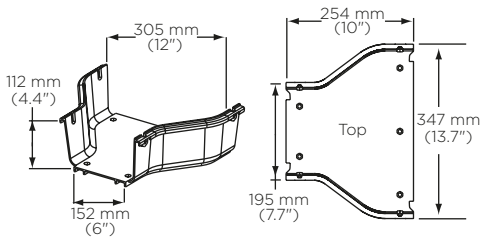
Part Drawings



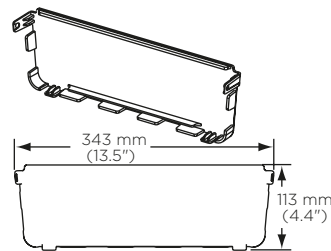
Horizontal Cross with (two) 6" Exits
(FGS-MHXP-F/B)



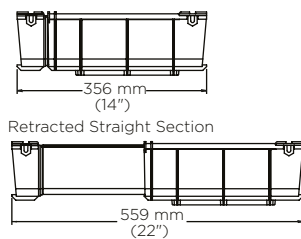
4x12 to 4x6 Dual Adapter
(FGS-MDSA-F2B)



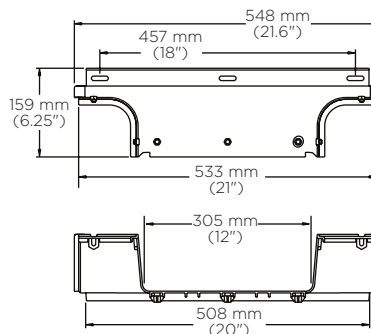
4x12 to 4x6 Adapter
(FGS-MDSA-FB)



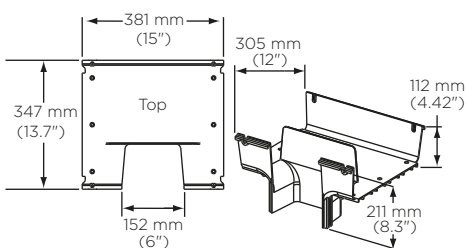
End Cap
(FGS-HMEC-F)



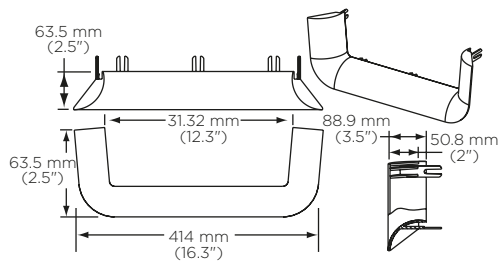
Expandable Straight Section
(FGS-MVAR-F)



12" Cut-in T
(FGS-MHIS-F)



Downspout
(FGS-MDSP-F)



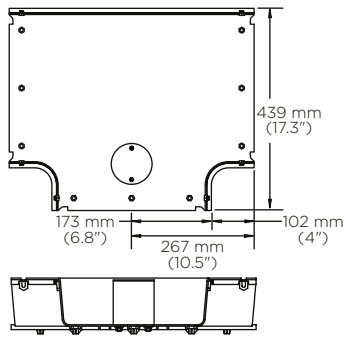
Trumpet Flare
(FGS-MTRM-F)



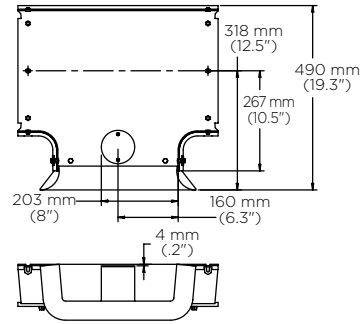
4x12 System

4x12 System

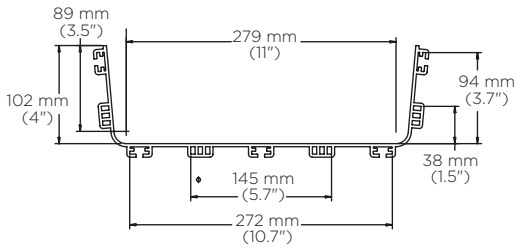
Part Drawings



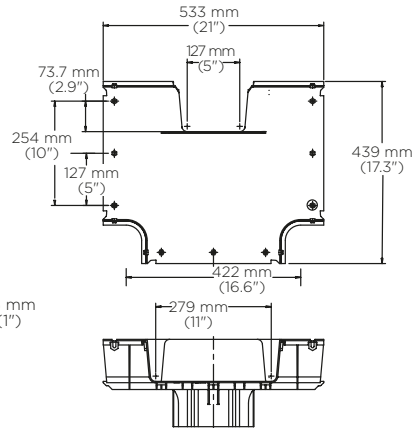
Island T with Recessed Dividing Spool
(FGS-ISLAND3-F)



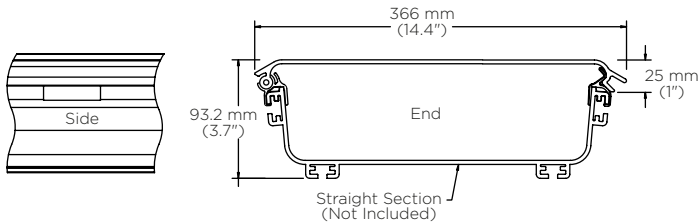
Island T
(FGS-ISLAND-F)



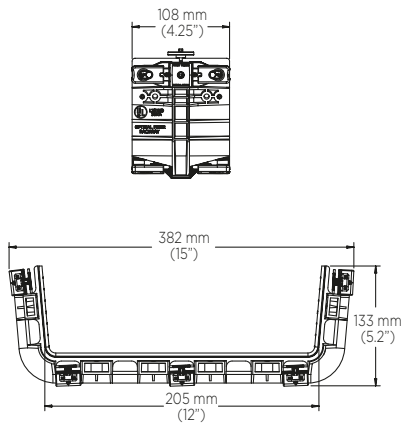
Straight Section
(FGS-MSHS-F)



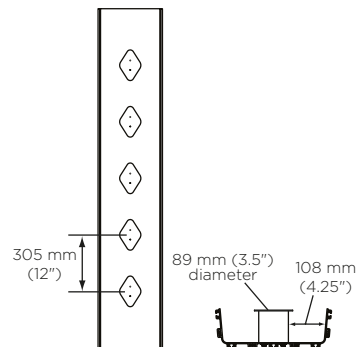
Downspout with Rear T
(FGS-MDRT-F)



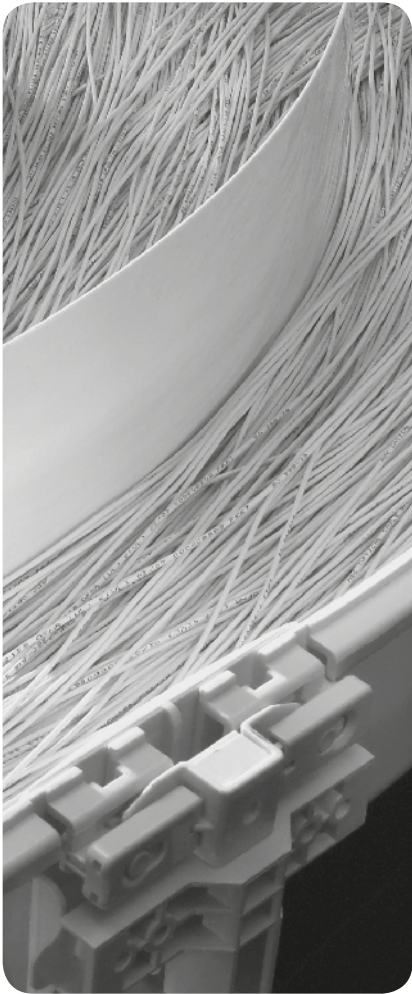
Hinged Cover for Horizontal Straight Section
(FGS-MSNC-F)



Snap-Fit Junction
(FGS-MFAW-F)



Slack Storage Straight Section
(FGS-MSHS-STOR-F)

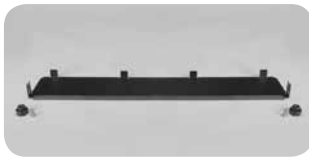


4x24 System

Fittings.....	60
Downspouts.....	61
Straight Section.....	62
Snap-Fit™ Junction.....	62
Cover Kits.....	62
Parts Drawings.....	63-64

4x24 System

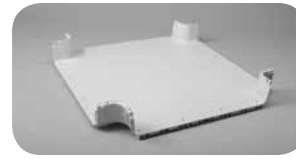
Fittings - 4" H x 24" W



End Cap
(FGS-HMEC-H)



Horizontal Cross with Dual 12" Exits
(FGS-MHXP-F/H)



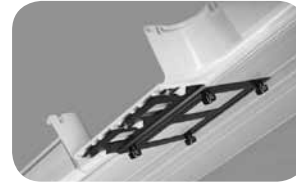
Horizontal Cross
(FGS-MHXP-H)



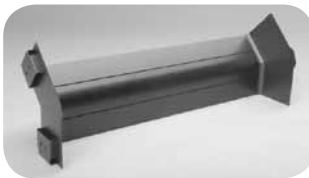
45° Horizontal Elbow
(FGS-MH4E-H)



Horizontal T with Single 12" Exit
(FGS-MHRT-H/F)



12" Cut-in T
(FGS-MHIS-F/H)



45° Down Elbow
(FGS-MD4E-H)



4x24 to 4x12 Adapter
(FGS-MDSA-HF)



45° Up Elbow
(FGS-MU4E-H)

ORDERING INFORMATION

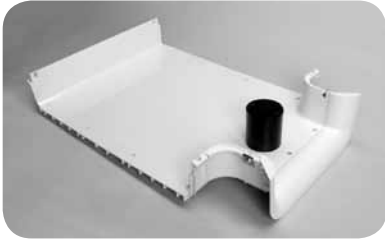
Description	Catalog Number	
	Yellow System	Black System
4x24 fittings		
45° horizontal elbow	FGS-MH4E-H	FGSB-MH4E-H
Horizontal T with single 12" exit	FGS-MHRT-H/F	FGSB-MHRT-H/F
Horizontal T with three 24" exits	FGS-MHRT-H	FGSB-MHRT-H
Horizontal cross	FGS-MHXP-H	FGSB-MHXP-H
Horizontal cross with dual 12" exits	FGS-MHXP-F/H	FGSB-MHXP-F/H
45° up elbow	FGS-MU4E-H	FGSB-MU4E-H
45° down elbow	FGS-MD4E-H	FGSB-MD4E-H
4x24 conversions		
12" cut-in T for 4x24*	FGS-MHIS-F/H	FGSB-MHIS-F/H
6" cut-in T for 4x24*	FGS-MHIS-B/H	FGSB-MHIS-B/H
4" cut-in T for 4x24*	FGS-MHIS-A/H	FGSB-MHIS-A/H
4x24 to 4x12 adapter	FGS-MDSA-HF	FGSB-MDSA-HF
4x24 end cap	FGS-HMEC-H	FGS-HMEC-H

*Designed exclusively for the 4x24" system.
Other nonstandard colors available by request.

4x24 System

Downspouts - 4" H x 24" W

4x24 downspouts and attachments feed fiber from overhead straight sections into fiber optic equipment below.



Island T with Single 12" Exit
(FGS-ISLAND-H/F)



Trumpet Flare
(FGS-MTRM-H)

ORDERING INFORMATION

Description	Catalog Number	
	Yellow System	Black System
Island T with single 12" exit	FGS-ISLAND-H/F	FGSB-ISLAND-H/F
Trumpet flare	FGS-MTRM-H	FGS-MTRM-H

Other nonstandard colors available by request.

4x24 System

Straight Section, Snap-Fit™ Junctions and covers – 4" H x 24" W

Straight Section

The unique double wall channel design of the 4x24 straight section provides exceptional strength and durability for high fiber count applications and allows the standard system to be attached to the support structure without the need to cut or drill any holes within the trough. The six channel design ensures that the patch cords will not come in contact with any screw heads or bolts, an important consideration in 4x24 systems where higher cable counts apply increased pressure on patch cords at the bottom of the trough.



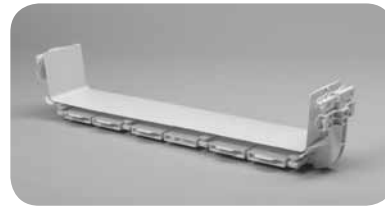
Straight Section
(FGS-MSHS-H)

ORDERING INFORMATION

Description	Catalog Number	
	Yellow System	Black System
4x24 straight section; horizontal straight section, 6' long	FGS-MSHS-H	FGSB-MSHS-H

Snap-Fit Junction

The Snap-Fit™ Junction assembly is available for the 24-inch FiberGuide® System. The Snap-Fit junction is a completely tool-less junction. No additional tools are required for installation or removal. The junction exhibits superior holding force and accommodates support brackets. A warning label is included with each junction kit.



Snap-Fit Junction
(FGS-MFAW-H)

ORDERING INFORMATION

Description	Catalog Number	
	Yellow System	Black System
4x24 Snap-Fit™ junction	FGS-MFAW-H	FGSB-MFAW-H

Other nonstandard colors available by request.

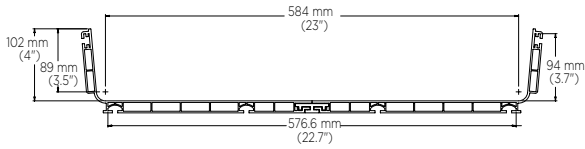
Cover Kits

ORDERING INFORMATION

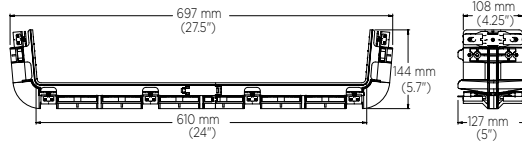
Description	Catalogue Number
Cover for 4"x24"x6' straight section - FGS-MSHS-H	FGS-FSFC-H
Cover for 4"x24"horizontal tee with single 12" Exit - FGS-MHRT-H/F	FGS-FHRT-H/F
Cover for 4"x24"horizontal cross with dual 12" Exits - FGS-MHXP-F/H	FGS-FHXP-F/H
Cover for 4"x24"horizontal cross - FGS-MHXP-H	FGS-FHXP-H
Cover for 4"x24" 45° horizontal elbow - FGS-MH4E-H	FGS-FH4E-H
Cover for 4"x24"horizontal tee - FGS-MHRT-H	FGS-FHRT-H
Cover for 4"x24" 4° down elbow - FGS-MD4E-H	FGS-FD4E-H
Cover for 4"x24" to 4"x12" reducer - FGS-MDSA-HF	FGS-FDSA-HF

4x24 System

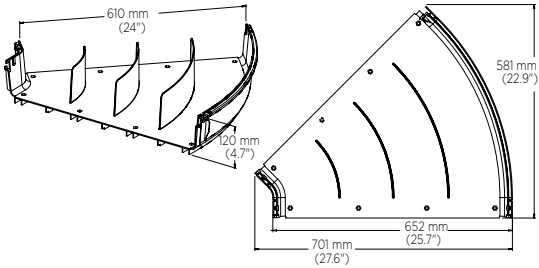
Part Drawings



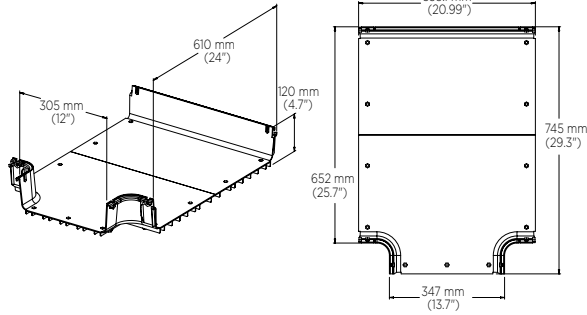
Straight Section
(FGS-MSHS-H)



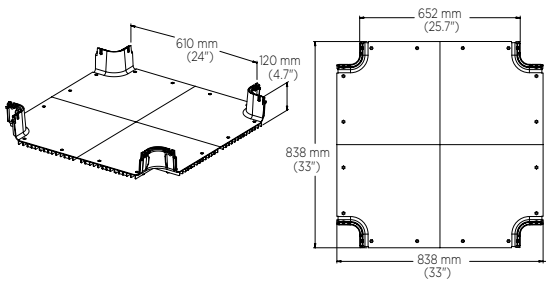
Snap-Fit Junction
(FGS-MFAW-H)



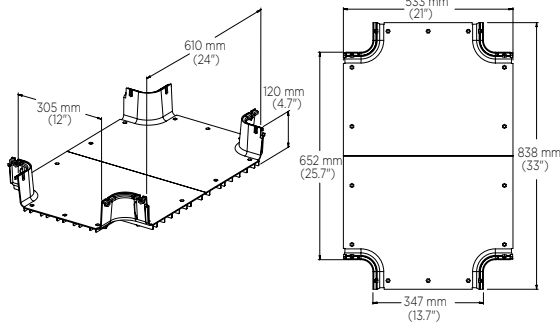
45° Horizontal Elbow
(FGS-MH4E-H)



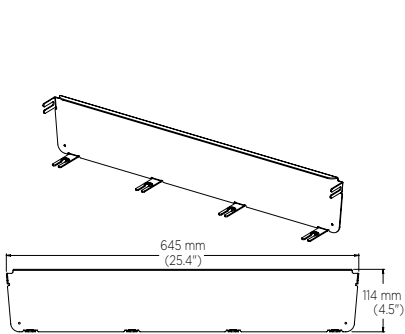
Horizontal T with Single 12" Exit
(FGS-MH4E-H)



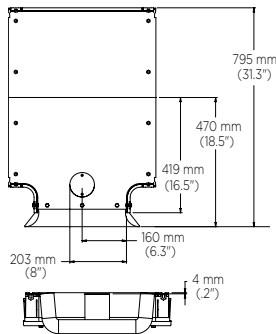
Horizontal Cross
(FGS-MHXP-H)



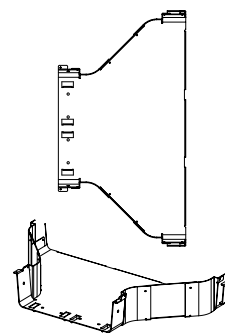
Horizontal Cross with Dual 12" Exits
(FGS-MHXP-F/H)



End Cap
(FGS-HMEC-H)



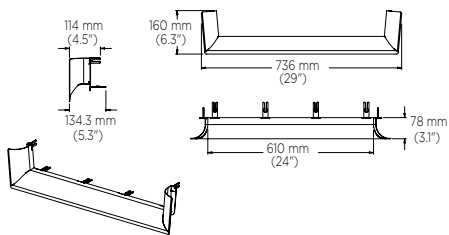
Island T with Single 12" Exit
(FGS-ISLAND-H/F)



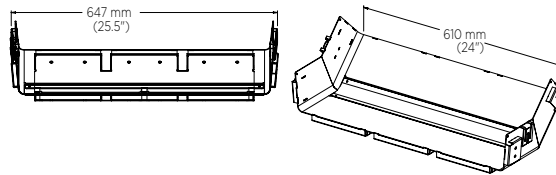
4x24 to 4x12 Adapter
(FGS-MDSA-HF)

4x24 System

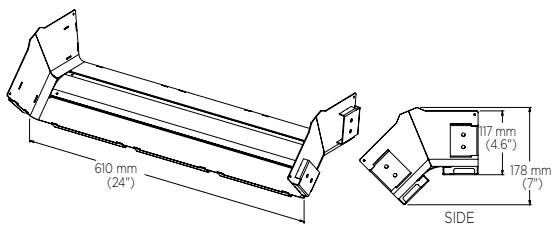
Part Drawings



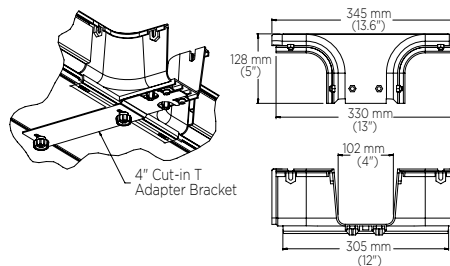
Trumpet Flare
(FGS-MTRM-H)



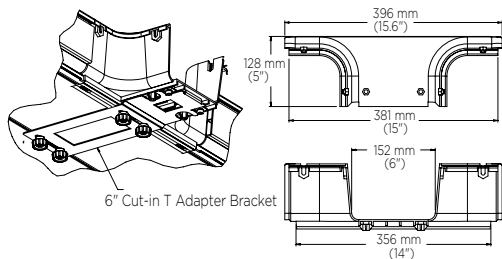
45° Up Elbow
(FGS-MU4E-H)



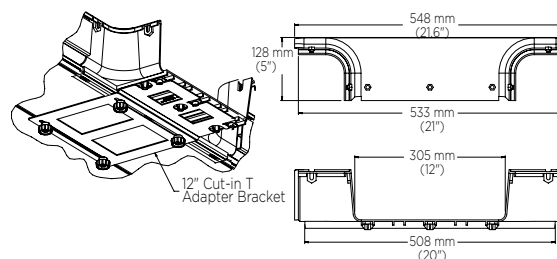
45° Down Elbow
(FGS-MD4E-H)



4" Cut-in T
designed exclusively for the 4x24 System
(FGS-MHIS-A/H)

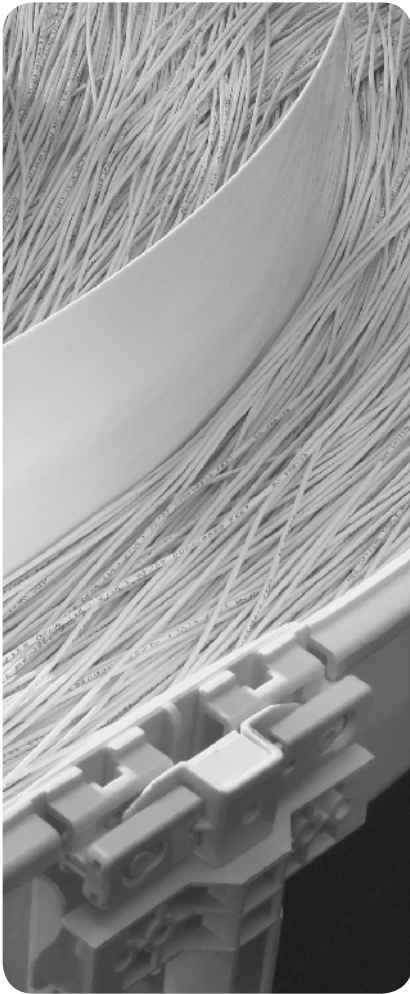


6" Cut-in T
designed exclusively for the 4x24 System
(FGS-MHIS-B/H)



12" Cut-in T
designed exclusively for the 4x24 System
(FGS-MHIS-F/H)

4x24 System



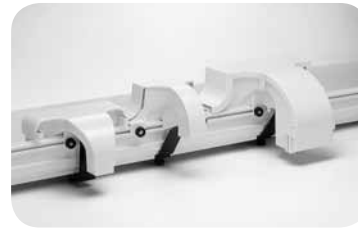
Express Exit™ Family

4-Inch Express Exit	66
2-Inch Express Exit	67
Low-Profile Express Exit	67
Attachments	67
Parts Drawings	68

Express Exit™ Family

For 4x4, 4x6, 4x12, and 4x24 Systems

The patented* Express Exit™ family accommodates various raceway environments and applications. By simply securing an Express Exit to the sidewall of any 4x4, 4x6, 4x12, or 4x24 FiberGuide® straight section, jumpers can be permanently or temporarily routed to fiber optic terminal (FOT) equipment below. No cutting of the FiberGuide system is required. Positioning a drop with a member of the Express Exit family greatly simplifies installation, protects the integrity of fibers already present in the raceway, and increases overall flexibility of the raceway system. All Express Exits guarantee 2-inch bend radius protection.



Express Exit Family

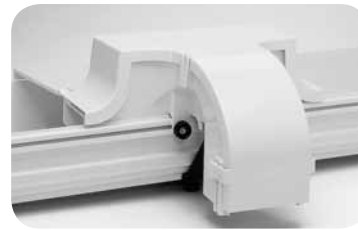
Express Exit Style	Height Above Sidewall	Exit Opening	3 mm Patch Cord Capacity	2 mm Patch Cord Capacity	Hinged Rear Cover	Exit Fin Inserts
2-Inch Express Exit	4"	2" x 2"1	150	350	No	No
Low-Profile Express Exit	2"	2" x 2"1	150	350	No	No
4-Inch Express Exit	4"	4" x 4"2	300	700	Yes	Yes

¹Accepts all standard 2x2" attachments.

²Accepts all standard 4x4" attachments.

4-Inch Express Exit™

The 4-Inch Express Exit is designed to distribute and manage medium cable counts to FOT or ODF equipment. It features a 4-inch by 4-inch exit opening to accept all standard 4x4 downspout attachments and includes insertable exit fins and removable rear cable guides for additional cable management.



4-Inch Express Exit

See page 90 for 4-Inch Express Exit downspout attachments.

ORDERING INFORMATION

Description	Catalog Number	
	Yellow System	Black System
4-inch Express Exit™		
Express Exit; <i>base, base cover, mounting hardware, support bracket, and exit inserts included</i>	FGS-MEXP-E-A/B/F	FGSB-MEXP-E-A/B/F
4-inch accessories		
Express Exit rear hinged cover kit; <i>one 4x4, 4x6, 4x12 rear hinged cover</i>	FGS-MEXC-E-A/B/F	FGSB-MEXC-E-A/B/F
Express Exit rear hinged cover for 4x4 raceway	FGS-MEXC-E-A	FGSB-MEXC-E-A
Express Exit rear hinged cover for 4x6 raceway	FGS-MEXC-E-B	FGSB-MEXC-E-B
Express Exit rear hinged cover for 4x12 raceway	FGS-MEXC-E-F	FGSB-MEXC-E-F

Other nonstandard colors available by request.

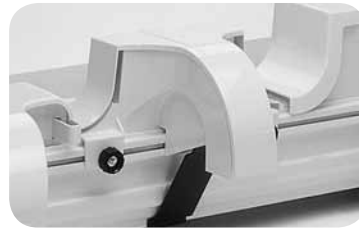
*Other patents pending.

Express Exit™ Family

For 4x4, 4x6, 4x12, and 4x24 Systems

2-Inch Express Exit™

The 2-Inch Express Exit accommodates up to 350, 2 mm patch cords. The patch cords are routed from a 4x4, 4x6, 4x12 or 4x24 straight section to FOT equipment below the raceway.



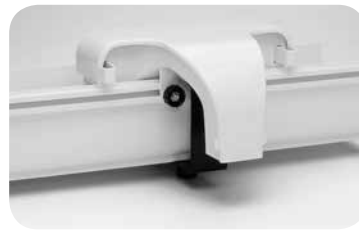
2-Inch Express Exit

ORDERING INFORMATION

Description	Catalog Number	
	Yellow System	Black System
2-Inch Express Exit™ base, base cover, mounting hardware and support bracket included	FGS-MEXP-A/B/F	FGSB-MEXP-A/B/F

Low-Profile Express Exit™

Designed for low-ceiling or height-restricted environments, the Low-Profile Express Exit features a front-removable cover and extends only 2 inches above the FiberGuide® straight section sidewall. It also includes removable rear cable guides for additional cable management.



Low-Profile Express Exit

ORDERING INFORMATION

Description	Catalog Number	
	Yellow System	Black System
Low-Profile Express Exit™ base, base cover, mounting hardware and support bracket included	FGS-MEXP-LP-A/B/F	FGSB-MEXP-LP-A/B/F

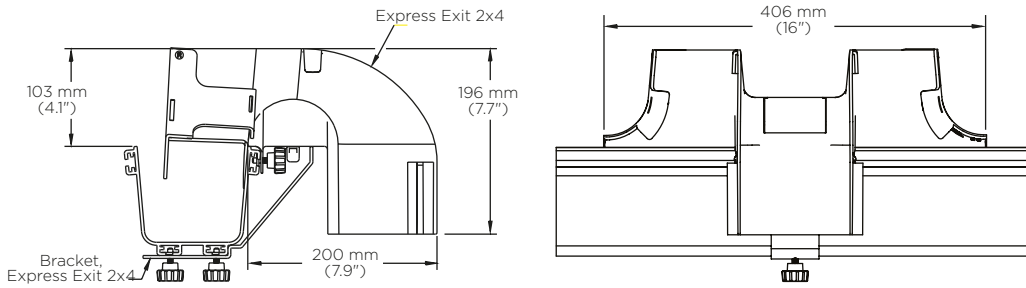
Attachments for 2-Inch Express Exit™ and Low-Profile Express Exit™

ORDERING INFORMATION

Description	Catalog Number	
	Yellow System	Black System
2x2 trumpet flare; junction included	FGS-MTRM-C	FGSB-MTRM-C
Single 2" flex tube attachment; 2" flex tube and a 2x2 junction to attach to Express Exit unit included		
5' length	FGS-MEX1-C-5F	FGSB-MEX1-C-5F
10' length	FGS-MEX1-C-10F	FGSB-MEX1-C-10F
15' length	FGS-MEX1-C-15F	FGSB-MEX1-C-15F
Dual 7/8" flex tube attachment; two lengths of 7/8" flex tube and a 2" junction to attach to Express Exit unit included		
(2) 5' lengths	FGS-KT03-C	FGSB-KT03-C
(2) 10' lengths	FGS-KT03-C-10F	FGSB-KT03-C-10F
(3) 15' lengths	FGS-KT03-C-15F	FGSB-KT03-C-15F

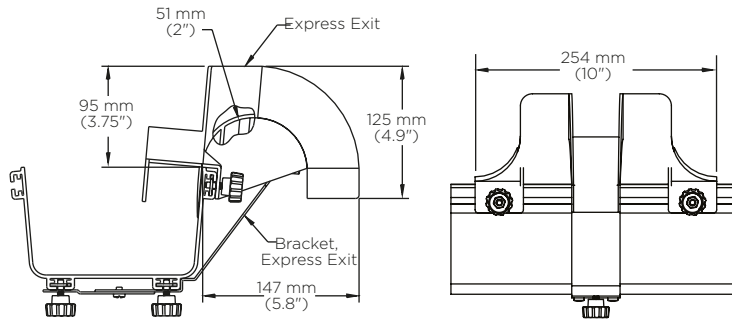
Express Exit™

Part Drawings



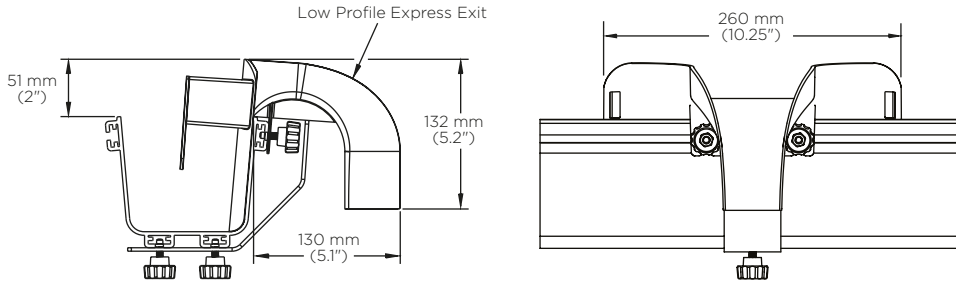
4-Inch Express Exit

(FGS-MEXP-E-A/B/F shown attached to 4x4 straight section)



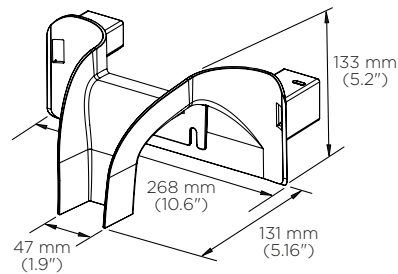
2-Inch Express Exit

(FGS-MEXP-A/B/F; fits 4x4, 4x6 and 4x12 systems; shown attached to 4x6 straight section)



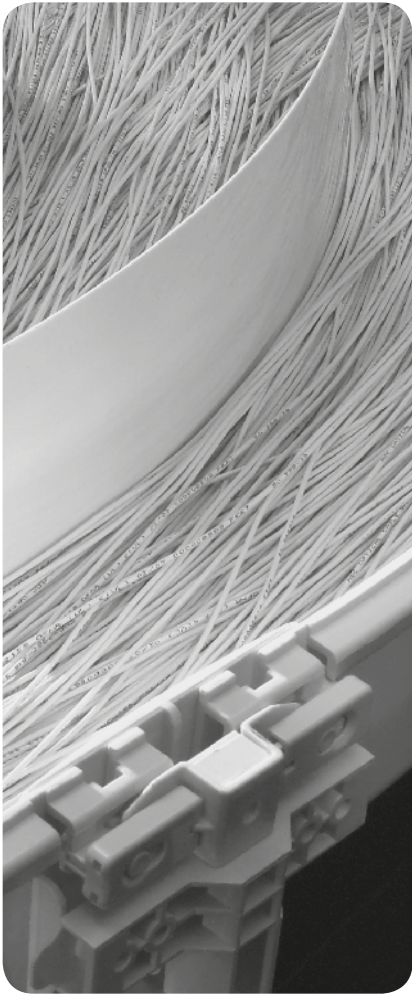
Low-Profile Express Exit

(FGS-MEXP-LP-A/B/F; fits 4x4, 4x6 and 4x12 systems; shown attached to 4x4 straight section)



Low-Profile Express Exit Designed Exclusively for 2x6 System

(FGS-MEXP-LP-G shown attached to 2x6 straight section)



Vertical Fiber Management Systems

2" and 4" Solid and Slotted Duct Kits and Components.....	70
2"x 2" Accessories	72
4"x 4" and 4"x 2" Accessories	73

Vertical Fiber Management Systems

Vertical Solid and Slotted Duct Kits Now with Hinged Covers



2x2 Solid Vertical Duct Kit
(FGS-KTW1-JN)
(cover closed)



2x4 Solid Vertical Duct Kit
(FGS-KTW2-RN)
(cover open)



4x4 Slotted Vertical Duct Kit
(FGS-KTW2-J)
Shown with cover removed



90° Inside Elbow
(FGS-V9E44)



4-Inch Vertical to 2x2 Trumpet Fitting
(FGS-TRMP42)



2-Inch Exit Trumpet
(FGS-VQE22)



4-Inch Exit Trumpet
(FGS-VQE44)



4x4 Modified Trumpet Flare Kit
(FGS-MTRM-D)

Applications



2x2 Slotted Duct with 2-Inch Exit Trumpet
(FGS-KTW1-JA with FGS-VQE22 attached)



4x4 Slotted Duct with 4-Inch Exit Trumpet
(FGS-KTW2-K with FGS-VQE44 attached)



4x4 Slotted Duct with Entrance Trumpet Flare at top and 4-Inch to 2x2 Exit Trumpet
(FGS-KTW2-K with FGS-MTRM-D and FGS-TRMP42 attached)



2x2 Slotted Duct with 2-Inch Exit Trumpet in horizontal application - can be attached to the 4-Inch to 2x2 Exit Trumpet
(FGS-KTW1-JA with FGS-VQE22 attached)

Vertical Fiber Management Systems

2" and 4" Vertical Solid and Slotted Duct Kits and Components

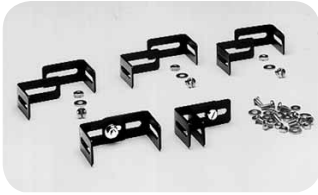
ORDERING INFORMATION

Description	Catalog Number	
	Yellow System	Black System
2x1 System (1" wide x 2" deep)		
2x1, vertical slotted duct kit (4" slot spacing), pop-off covers	FGS-KTW1-E	FGSB-KTW1-E
2x1, vertical solid duct kit, pop-off covers	FGS-KTW4-E	FGSB-KTW4-E
2x2 to 2x1 conversion piece (order when converting from 2x2 to 2x1 system)	FGS-ACC063	FGSB-ACC063
2X2 System (2" wide x 2" deep)		
2x2, 6' vertical duct kit*, slotted (1.5" slot spacing) hinged cover	FGS-KTW1-JA	FGSB-KTW1-JA
2x2, 6' vertical duct kit*, slotted (4" slot spacing) hinged cover	FGS-KTW1-JB	FGSB-KTW1-JB
2x2, 6' vertical duct kit*, solid, hinged cover	FGS-KTW1-JN	FGSB-KTW1-JN
2x4 system (2" wide x 4" deep)		
2x4, 6' vertical duct kit*, slotted (2" slot spacing) hinged cover	FGS-KTW2-R	FGSB-KTW2-R
2x4, 6' vertical duct kit*, solid, hinged cover	FGS-KTW2-RN	FGSB-KTW2-RN
4x4 system (4" wide x 4" deep)		
4x4, 6' vertical duct kit*, slotted (2" slot spacing) hinged cover	FGS-KTW2-K	FGSB-KTW2-K
4x4, 6' vertical duct kit*, slotted (4" slot spacing) hinged cover	FGS-KTW2-J	FGSB-KTW2-J
4x4, 6' vertical duct kit*, solid, hinged cover	FGS-KTW2-JN	FGSB-KTW2-JN
4x2 system (4" wide x 2" deep)		
4x2, 6' vertical duct kit*, slotted (1.5" slot spacing) hinged cover	FGS-KTW2-T	FGSB-KTW2-T
4x2, 6' vertical duct kit*, solid, hinged cover	FGS-KTW2-TN	FGSB-KTW2-TN
Trumpets and elbows		
4" deep vertical to 2x2 trumpet to horizontal fitting	FGS-TRMP42	FGSB-TRMP42
4" deep vertical to 4x4 trumpet to horizontal fitting	FGS-TRMP44	FGSB-TRMP44
4" exit to horizontal trumpet for vertical channel, 1" bend radius	FGS-VQE44	FGS-VQE44
2" exit to horizontal trumpet for vertical channel, 1" bend radius	FGS-VQE22	FGS-VQE22
2x4 entrance trumpet flare kit	FGS-MTRM-DS	FGSB-MTRM-DS
4x4 entrance trumpet flare kit	FGS-MTRM-D	FGSB-MTRM-D
4" deep 90° inside elbow	FGS-V9E44	FGSB-V9E44
Components		
2x2 vertical slotted duct (1.5" slot spacing); 6' Long	FGS-MSHS-CB	FGSB-MSHS-CB
Hinged cover for 2x2 duct; 6' long	FGS-MSHC-J	FGSB-MSHC-J
2x4 slotted duct, 2" slot spacing	FGS-MSHS-K	FGSB-MSHS-K
2x4 solid duct, vertical	FGS-MSHS-KN	FGSB-MSHS-KN
4x4 slotted duct, 2" slot spacing	FGS-MSHS-KT	FGSB-MSHS-KT
4" cover - hinged	FGS-MSHC-K	FGSB-MSHC-K
4x4 slotted duct, 4" slot spacing	FGS-MSHS-KF	FGSB-MSHS-KF
4x4 solid duct, vertical	FGS-MSHS-KS	FGSB-MSHS-KS

* Universal mounting brackets included in kit.

Vertical Fiber Management Systems

2"x 2" Accessories



2"x 2" Vertical Duct Universal Mounting Brackets
(FGS-HWMB-C)

ORDERING INFORMATION

Description	Catalog Number	
	Yellow System	Black System
2x1 System (1" wide x 2" deep)		
2x2 vertical slotted duct universal mounting bracket; kit of 5 - typically five brackets used for every 6' section of 2x2 vertical duct	FGS-HWMB-C	FGS-HWMB-C
2x2 adapter junction kit; used to join new 2x2 Vertical duct with hinged cover to standard 2x2 FiberGuide® profile	FGS-MJWRM-C	FGSB-MJWRM-C

Other nonstandard colors available by request.

Vertical Fiber Management Systems

4"x 4" and 4"x 2" Accessories

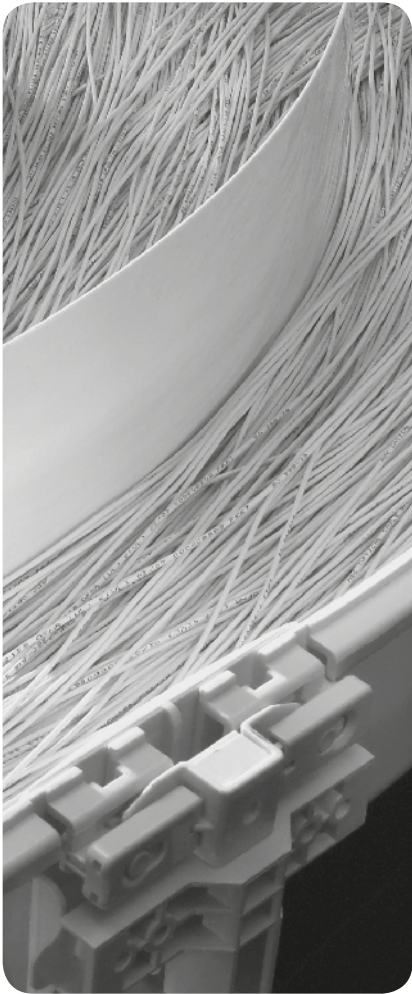


**4"x 4" Vertical Duct
Mounting Bracket**
(FGS-HWMB-D)

ORDERING INFORMATION

Description	Catalog Number	
	Yellow System	Black System
2x1 System (1" wide x 2" deep)		
4x4 vertical slotted duct mounting bracket; <i>typically three brackets used for every 6' section of 4x4 vertical duct</i>	FGS-HWMB-D	FGS-HWMB-D
4x2 vertical slotted duct mounting bracket; <i>kit of 10</i>	FGS-HKW2-E	FGS-HKW2-E
4x2 vertical slotted duct cap	FGS-HMEC-E	FGS-HMEC-E
4x4 adapter junction kit; used to join new 4x4 vertical duct with hinged cover to standard 4x4 FiberGuide® profile	FGS-MJWR-D	FGSB-MJWR-D

Other nonstandard colors available by request.



RiserGuide On-Demand Cable Management

Introduction.....	76
Installation and Removal.....	77
Specifications.....	78
Ordering Information.....	79

RiserGuide On-Demand Cable Management

Introduction

Because cable management requirements change with network requirements, the FiberGuide® product family includes a riser guidance system, designed to provide cable management where you need it, when you need it.

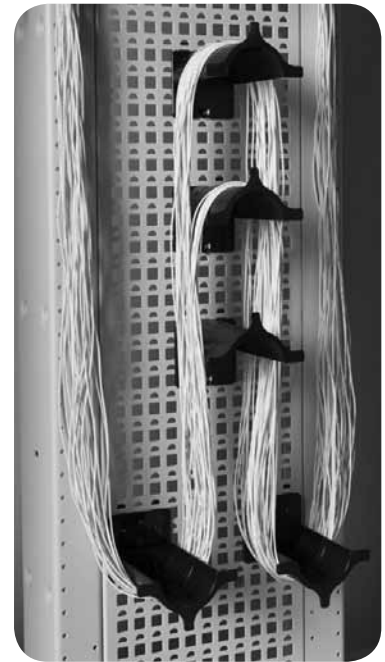
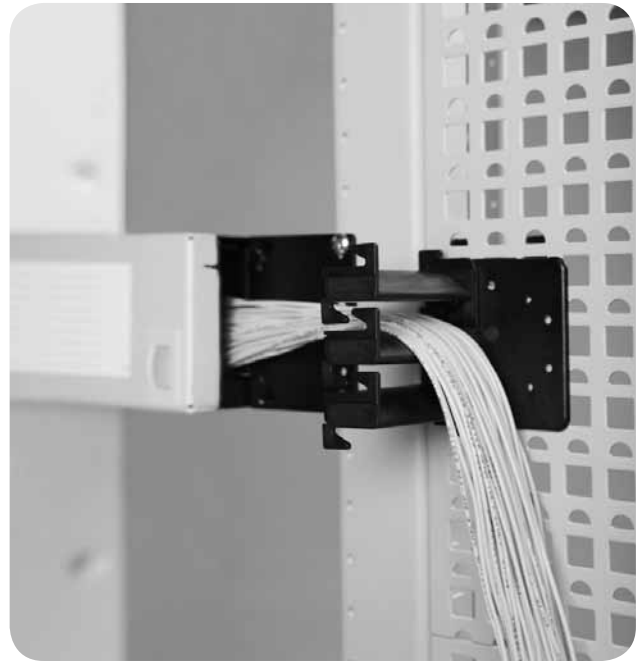
RiserGuide is modular and easy to both install and remove, allowing for flexible cable management and full network optimization.

FEATURES

- Multiple standard width risers
- Multiple standard width risers
- Various components that can be installed anywhere on the riser including storage spools, radius limiters and cable guides
- Mountable within and between racks and in cabinets
- Half and full slack storage spools available
- Breakout cable slack storage
- Half and full slack storage spools available
- Breakout cable slack storage

BENEFITS:

- Provides flexible, “on demand” cable management
- Manages patch cords off active equipment up to FiberGuide®
- Protects proper bend radius
- Easy to configure with simple, Snap-Fit™, tool-free installation
- Designed to meet GR-63 requirements
- Provides a cable management solution that extends beyond the “out of the box” solutions that are currently available



RiserGuide On-Demand Cable Management

Installation and Removal, Specifications

Installation and Removal

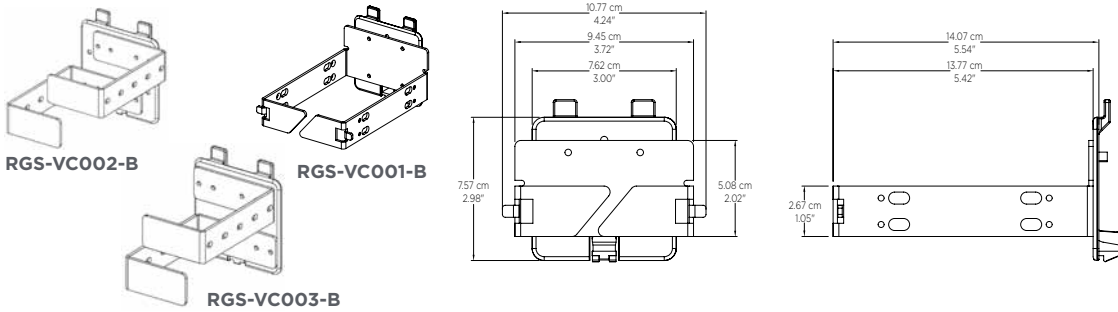


Installation

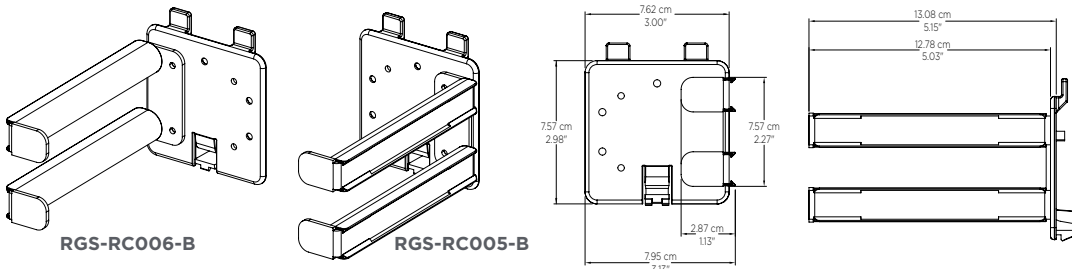
Removal

Specifications

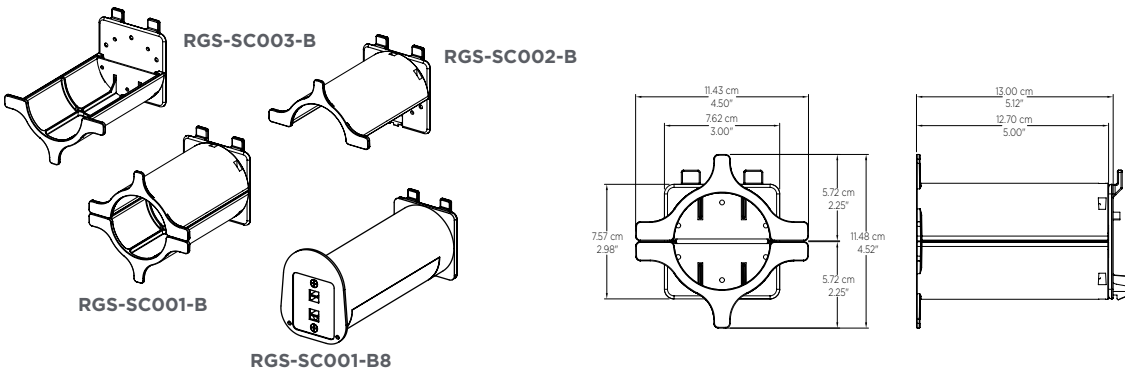
CABLE GUIDE BRACKET



EDGE PROTECTORS



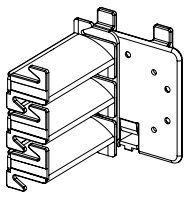
1.5 INCH BEND RADIUS SPOOLS



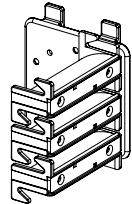
RiserGuide On-Demand Cable Management

Specifications

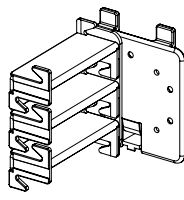
Radius Limiting Edge Protectors



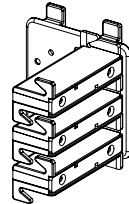
RGS-RC001-B



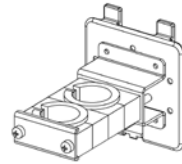
RGS-RC002-B



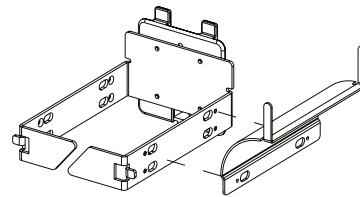
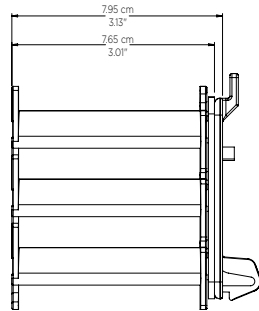
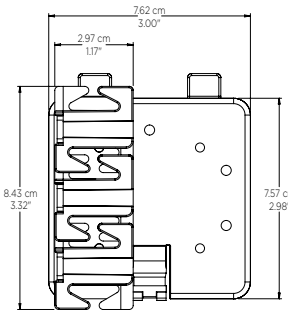
RGS-RC003-B



RGS-RC004-B



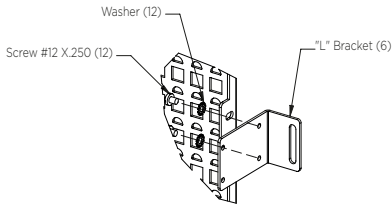
RGS-TC001-B



RGS-VC001-B
(For Reference Only)

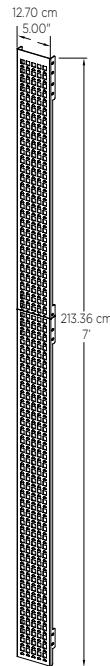
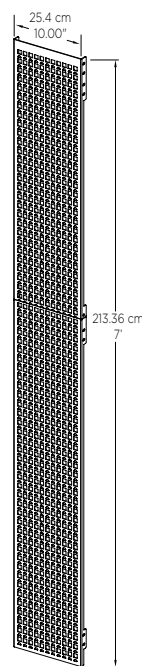
RGS-RA001-B

Vertical Riser Channel Pack



RGS-VRACC-CRKIT

Vertical Risers

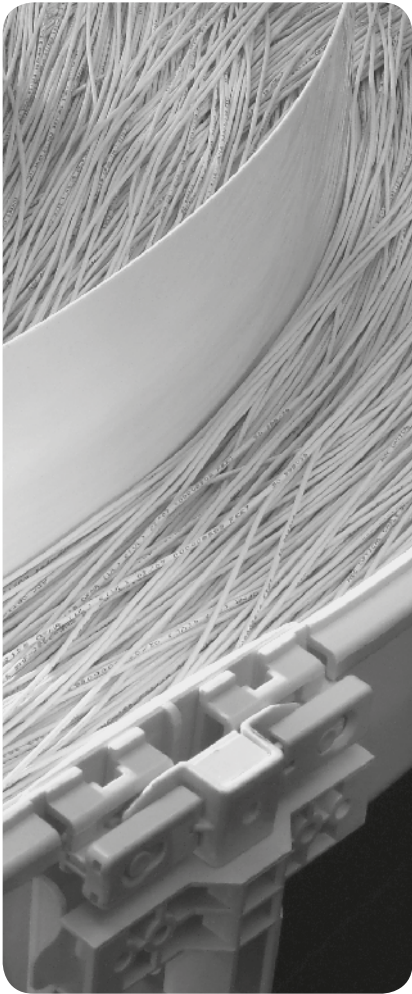


RiserGuide On-Demand Cable Management

Ordering Information

ORDERING INFORMATION

Description	Catalogue Number
Cable guide bracket	RGS-VC001-B
1.5" Radius limiter for cable guide bracket	RGS-RA001-B
Edge protectors	
Edge protector for left-hand cable entry/exit	RGS-RC005-B
Edge protector for right-hand cable entry/exit	RGS-RC006-B
1.5" Bend radius spool	
Full spool, 5" D	RGS-SC001-B
Full spool, 8" D	RGS-SC001-B8
Half spool - top, 5" D	RGS-SC002-B
Half spool - bottom, 5" D	RGS-SC003-B
Radius limiting edge protector	
Fiber exit - right/down	RGS-RC001-B
Fiber exit - left/down	RGS-RC002-B
Fiber exit - right/up	RGS-RC003-B
Fiber exit - left/up	RGS-RC004-B
Vertical risers	
7' x 10" riser (putty)	RGS-VOCX0A-P
7' x 5" riser (putty)	RGS-VOBX0A-P
8' x 10" riser (putty)	RGS-VOCX0B-P
8' x 5" riser (putty)	RGS-VOBX0B-P
Channel rack installation kit for vertical riser	
Putty	RGS-VRACC-CRKITP
Black	RGS-VRACC-CRKITB
Vertical Cable Guide	
2.75" wide	RGS-VC003-B
3.75" wide	RGS-VC002-B
Cable Clamp	RGS-TC001-B

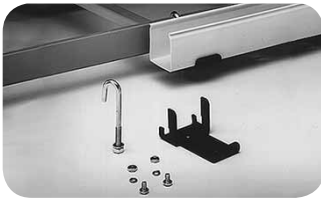


2x2 System Support Kits

2x2 System	82-83
Support Kit Drawings	84

2x2 System Support Kits

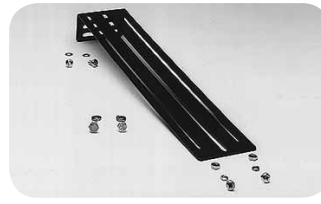
Direct Support Kits



Ladder Rack Support Kit
(FGS-HLR2-C shown alone and attached to ladder rack)



Bay Top Support Short L Bracket Kit
(FGS-BTBS-C)



Bay Top Support Long L Bracket Kit
(FGS-BTBL-C)



Digital Cableway Support Kit
(FGS-HDCB-C)



Under Floor Support Kit
(FGS-HUFB-C shown alone and attached to .62" round pipe)

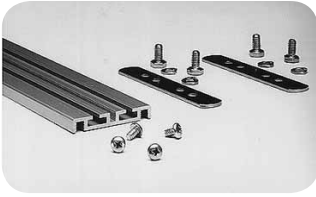
ORDERING INFORMATION

Description	Catalog Number
2x2 direct support kits	FMT-ACCWLMT01
Ladder rack support kit; <i>for use with 3.5" (maximum) ladder rack</i>	FGS-HLR2-C
Bay top support short L bracket kit	FGS-BTBS-C
Bay top support long L bracket kit	FGS-BTBL-C
Digital cableway support kit	FGS-HDCB-C
Under floor support kit; <i>can be secured to .62" to 1.2" round or square post</i>	FGS-HUFB-C

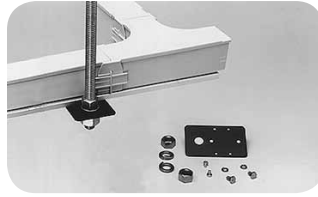
Note: Recommended spacing of direct support kits is every 2' to 3'.
Custom brackets are available, please contact TE Connectivity.

2x2 System Support Kits

Aluminum Track Support Kit



Aluminum Track Support Kit
(FGS-HASK-C)



New Threaded Rod Bracket Kit
(FGS-HTR2-XX shown alone and attached to aluminum track support)



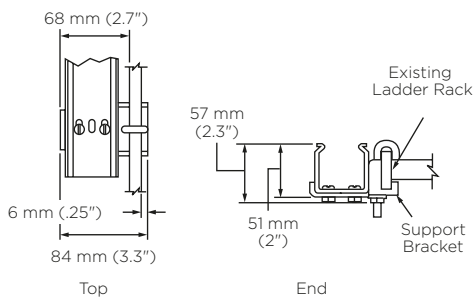
Existing Threaded Rod Bracket Kit
(FGS-HTR2-2-5/8)

ORDERING INFORMATION

Description	Catalog Number
2x2 aluminum track support kit; 6' long, track connecting bar kit included - aluminum track is self-supporting for spans up to 6'	FGS-HASK-C
2x2 bracket kits; used to support aluminum track kits	
New threaded rod bracket kit; 5/8"	FGS-HTR2-5/8
New threaded rod bracket kit; 1/2"	FGS-HTR2-1/2
Existing threaded rod bracket kit; 5/8" for up to two 2x2 FiberGuide® Systems	FGS-HTR2-2-5/8
Track connecting bar kit; used to join two aluminum track kits; order only if extras are needed	FGS-HAEJ-C

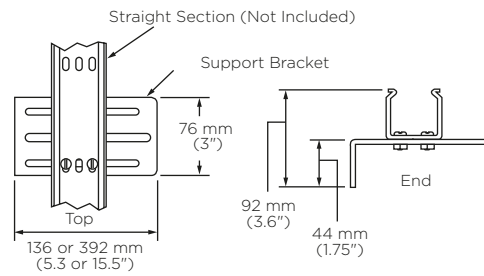
2x2 System Support Kits

Support Kit Drawings



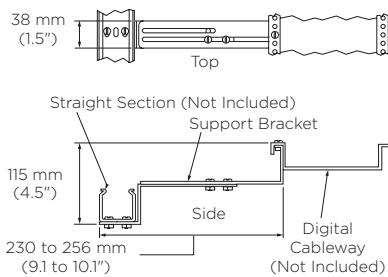
Ladder Rack Support Kit

(FGS-HLR2-C shown alone and attached to ladder rack)



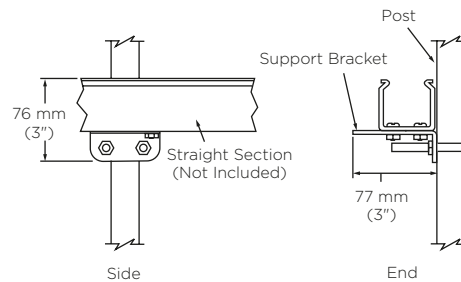
Bay Top Support Short L Bracket Kit

(FGS-BTBS-C, FGS-BTBL-C)



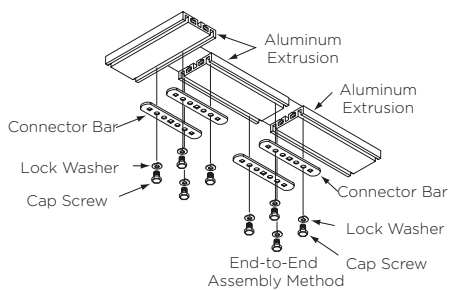
Digital Cableway Support Kit

(FGS-HDCB-C)



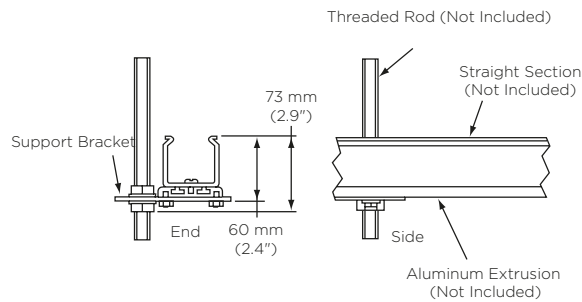
Under Floor Support Kit

(FGS-HUFB-C shown attached to .62" x 2" round pipe)



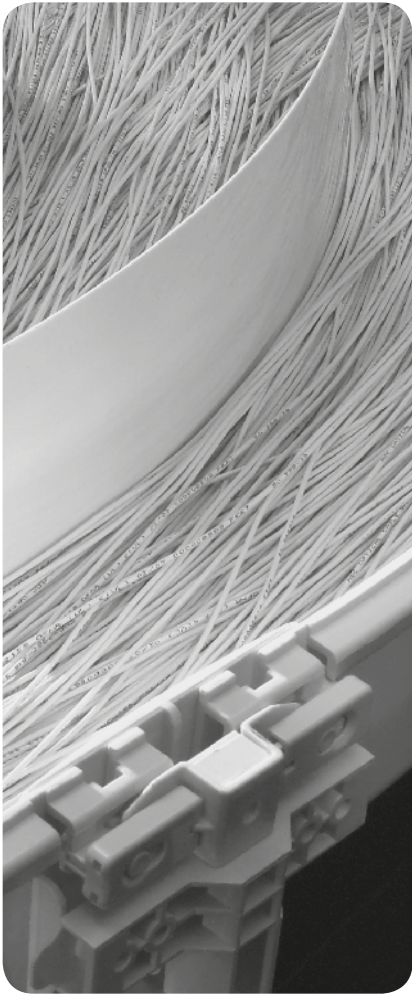
Aluminum Track Support Kit

(FGS-HASK-C)



New Threaded Rod Bracket Kit

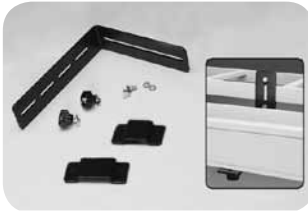
(FGS-HTR2 shown attached to aluminum track support)



2x6, 4x4, 4x6 System Support Kits

2x6, 4x4, 4x6 Systems.....	86
Support Kit Drawings.....	87-88

2x6, 4x4, 4x6 System Support Kits



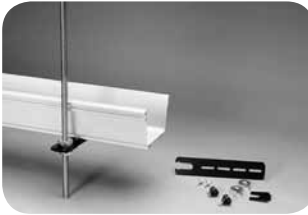
Ladder Rack Cantilever Support Bracket Kit
(FGS-HDLB-4)



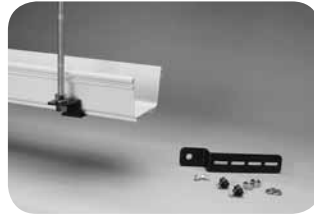
L Bay Support Bracket Kit
(FGS-HLBK shown alone and attached to 4x4 FiberGuide)



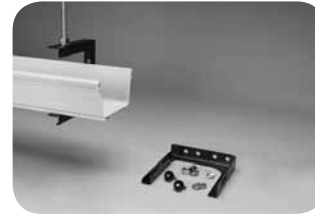
New Threaded Rod Bracket kit
(FGS-HNTR-XX shown alone and attached to threaded rod)



Existing Threaded Rod Bracket Kit
(FGS-HETR-XX shown alone and attached to threaded rod)



Modified New Threaded Rod Bracket Kit
(FGS-HNTR-5/8-A shown alone and attached to threaded rod)



Top Support Low Profile C-bracket Kit
(FGS-HNTS-XX-LP)



Top Support C-Bracket Kit
(FGS-HNTS-XX)



Modified Existing Threaded Rod Bracket Kit
(FGS-HETR-5/8-A shown alone and attached to threaded rod)



Center Support Bracket Kit
(FGS-HTUB-XX)

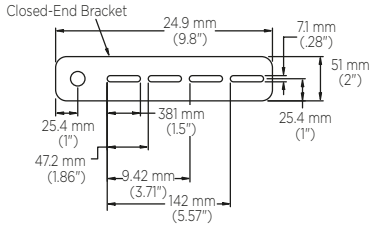
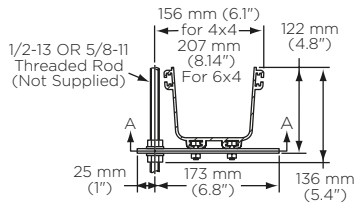
ORDERING INFORMATION

Description	Catalog Number
2x6, 4x4, 4x6 system support kits	
Ladder rack cantilever support bracket kit	FGS-HDLB-3
L bay support bracket kit	FGS-HLBK
New threaded rod bracket kit; (XX = size: 1/2", 5/8", 12 mm, 14 mm, 16 mm, 18 mm)	FGS-HNTR-XX
Existing threaded rod bracket kit; (XX = size: 1/2", 5/8", 12 mm, 14 mm, 16 mm)	FGS-HETR-XX
Modified new threaded rod bracket kit; 5/8"	FGS-HNTR-5/8-A
Top support low-profile C-bracket kit; (XX = size: 1/2", 5/8", 12 mm, 14 mm, 16 mm)	FGS-HNTS-XX-LP
Top support C-bracket kit; (XX = size: 1/2", 5/8", 12 mm, 14 mm, 16 mm)	FGS-HNTS-XX
Modified existing threaded rod bracket kit; 5/8"	FGS-HETR-5/8-A
Center support bracket kit; (XX = size: 1/2", 5/8", 12 mm, 14 mm, 16 mm, 20 mm)	FGS-HTUB-XX
Digital cableway bracket kit; 305 mm (12")	FGS-HCBL-12
Digital cableway bracket kit; 381 mm (15")	FGS-HCBL-15
Ladder rack center support bracket kit	FGS-HNLR-AB
OMX frame center support bracket kit; 16 mm (.63")	FGS-HOMX-16MM
Under floor support bracket kit	FGS-HUFB-A

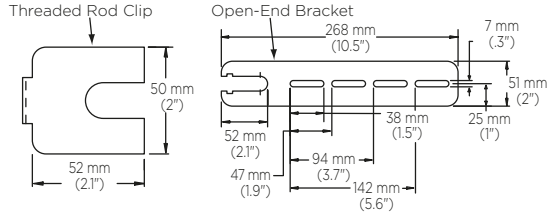
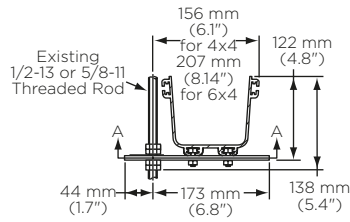
Custom brackets are available, please contact TE Connectivity.

2x6, 4x4, and 4x6 System Support Kits

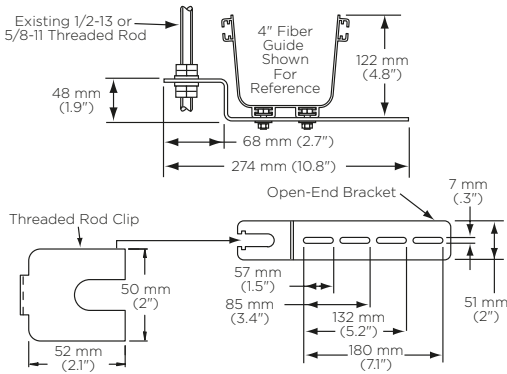
Support Kit Drawings



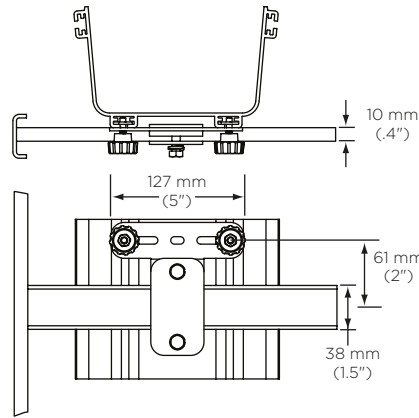
New Threaded Rod Bracket Kit
(FGS-HNTR-XX shown alone and attached to threaded rod)



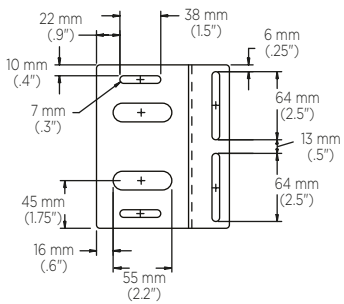
Existing Threaded Rod Bracket Kit
(FGS-HETR-XX shown alone and attached to threaded rod)



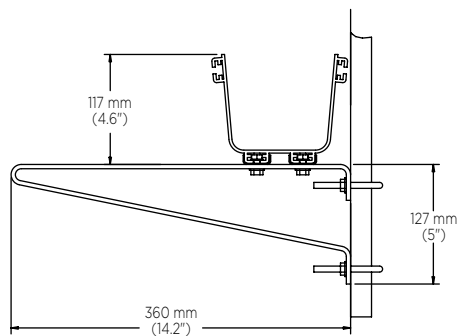
Modified Existing Threaded Rod Bracket Kit
(FGS-HETR-XX-A shown alone and attached to threaded rod)



Ladder Rack Center Support Bracket Kit
(FGS-HNLR-AB)



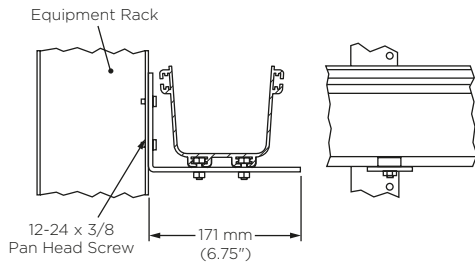
OMX Frame Center Support Bracket Kit
(FGS-HOMX-16MM)



Under Floor Support Bracket Kit
(FGS-HUFB-A)

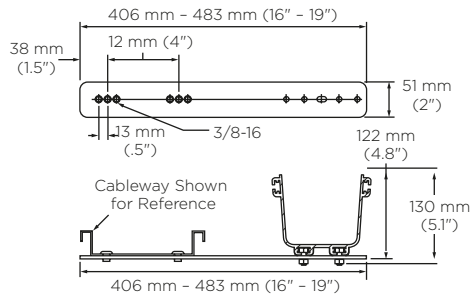
2x6, 4x4, and 4x6 System Support Kits

Support Kit Drawings



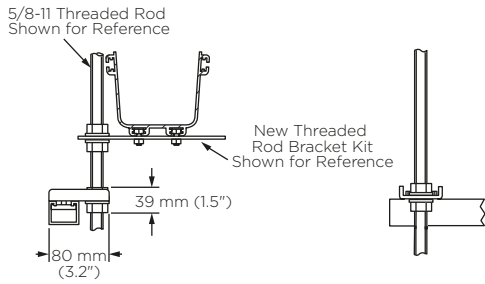
Support Bracket

(FGS-HLBK shown alone and attached to 4" FiberGuide)



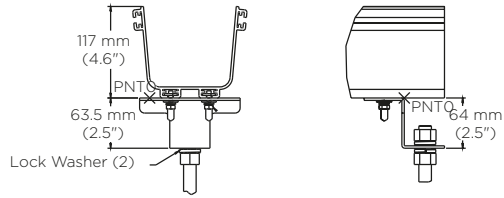
Digital Cableway Bracket Kit

(FGS-HCBL shown alone and attached to 4" FiberGuide®)



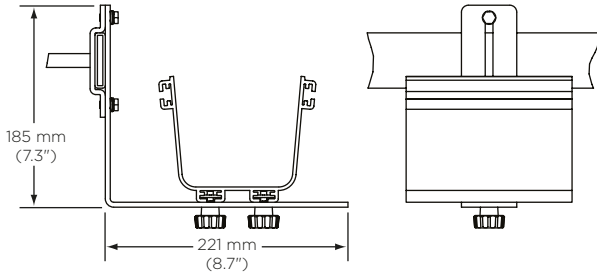
Unistrut Nut Kit

(FGS-HDGR)



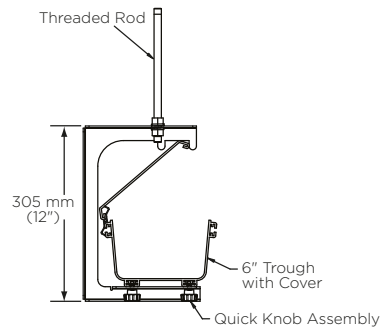
Center Support Bracket

(FGS-HTUB)



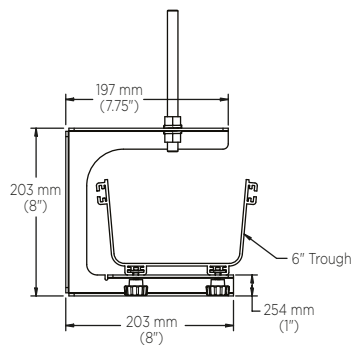
Ladder Rack Cantilever Support Bracket Kit

(FGS-HDLB-4)



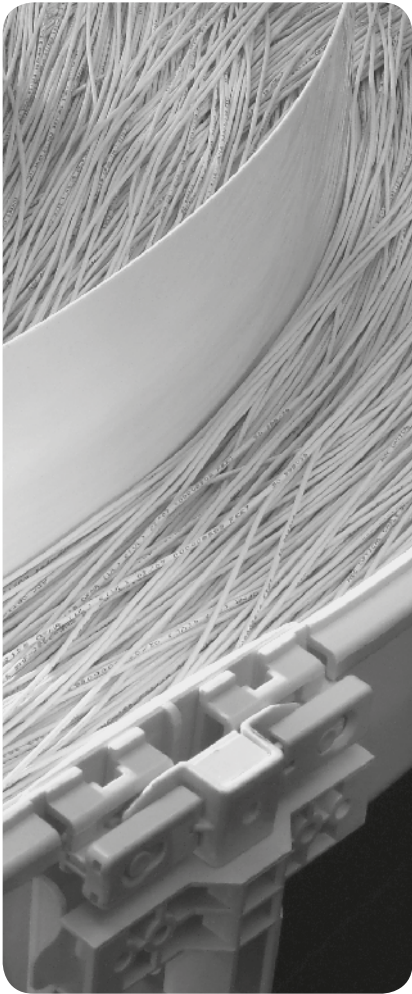
Top Support C-Bracket

(FGS-HNTS)



Top Support Low-Profile C-Bracket

(FGS-HNTS-LP)



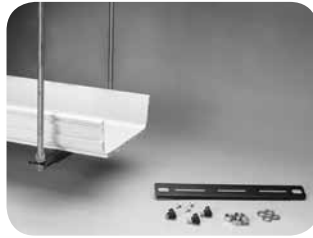
4x12 System Support Kits

4x12 System	90
Support Kit Drawings	91

4x12 System Support Kits



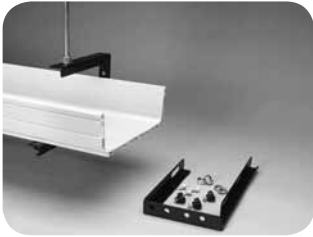
Existing Ladder Rack Center Support Bracket Kit
(FGS-HETP-F-XX)



Trapeze Bracket Kit
(FGS-HNTP-F-XX)



Center Support Threaded Rod Bracket Kit
(FGS-HTUB-F-XX shown alone and attached to threaded rod)



Top Support Low-Profile Threaded Rod Bracket Kit
(FGS-HNTS-F-XX-LP shown alone and attached to threaded rod)



Top Support Threaded Rod Bracket Kit
(FGS-HNTS-F-XX)



New Threaded Rod Bracket Kit
(FGS-HNTR-F-XX)



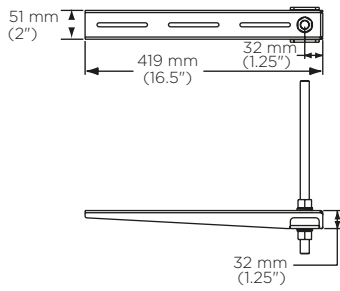
Existing Threaded Rod Bracket Kit
(FGS-HETR-F-XX)

ORDERING INFORMATION

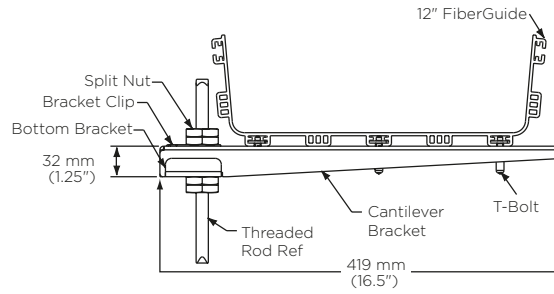
Description	Catalog Number
4x12 system support kits	
New ladder rack center support bracket kit	FGS-HNLR-F
Existing ladder rack center support bracket kit; (XX = size: 1/2", 5/8", 12 mm, 14 mm, 16 mm)	FGS-HETP-F-XX
Trapeze bracket kit; (XX = size: 1/2", 5/8", 12 mm, 14 mm, 16 mm)	FGS-HNTP-F-XX
Center support threaded rod bracket kit; (XX = size: 1/2", 5/8", 12 mm, 14 mm, 16 mm, 20 mm)	FGS-HTUB-F-XX
Top support low-profile threaded rod C-bracket kit; (XX = size: 1/2", 5/8", 12 mm, 14 mm, 16 mm)	FGS-HNTS-F-XX-LP
Top support threaded rod C-bracket kit; (XX = size: 1/2", 5/8", 12 mm, 14 mm, 16 mm)	FGS-HNTS-F-XX
New threaded rod bracket kit; (XX = size: 5/8", 14 mm, 16 mm, 18 mm)	FGS-HNTR-F-XX
Existing threaded rod bracket kit; (XX = size: 5/8", 14 mm, 16 mm)	FGS-HETR-F-XX

4x12 System Support Kits

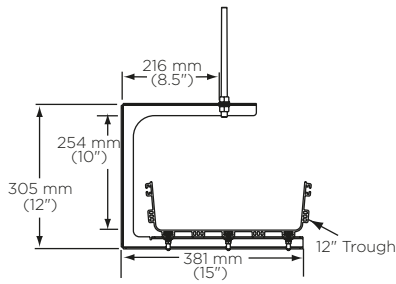
Support Kit Drawings



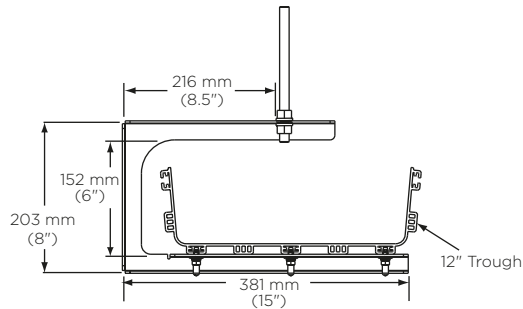
New Threaded Rod Bracket Kit
(FGS-HNTR-F-XX shown alone and attached to threaded rod)



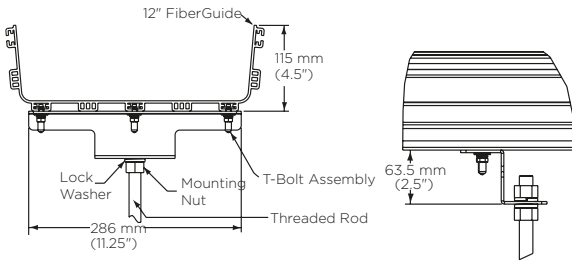
Existing Threaded Rod Bracket Kit
(FGS-HETR-F-XX)



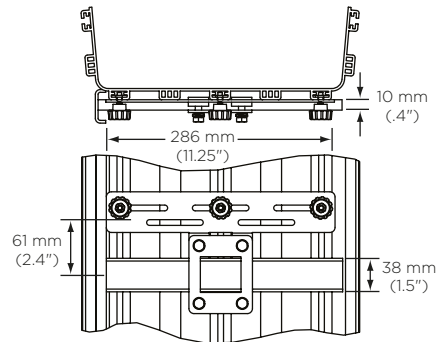
Top Support Threaded Rod C-Bracket Kit
(FGS-HNTS-F-XX shown attached to 4x12 straight section)



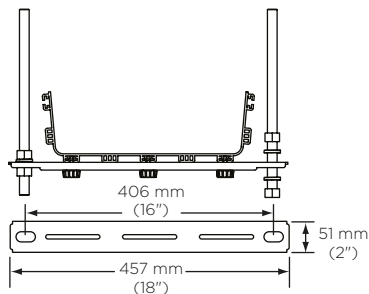
Top Support Low Profile Threaded Rod C-Bracket Kit
(FGS-HNTS-F-XX-LP shown attached to 4x12 straight section)



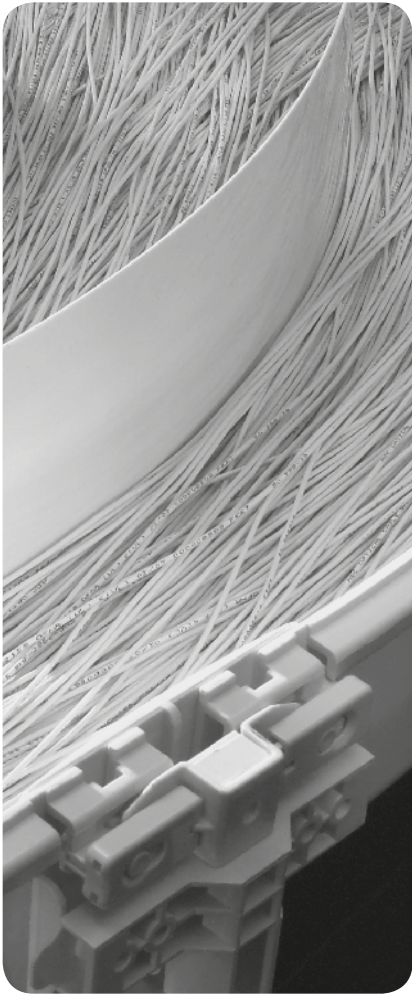
Center Support Threaded Rod Bracket Kit
(FGS-HTUB-F-XX shown attached to 4x12 straight section)



Ladder Rack Center Support Bracket
(FGS-HNLR-F)



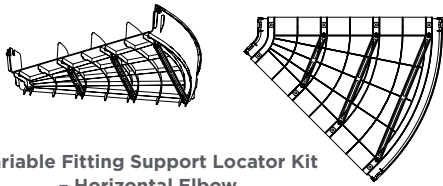
Trapeze Bracket Kit
(FGS-HNTP-F)



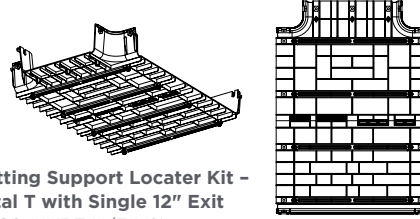
4x24 System Support Kits

4x24 System.....	94
Ordering Information.....	94

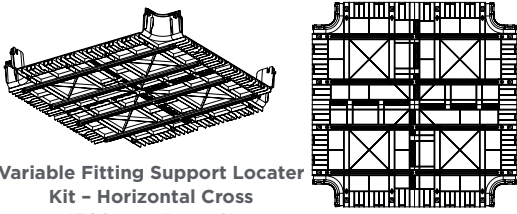
4x24 System Support Kits



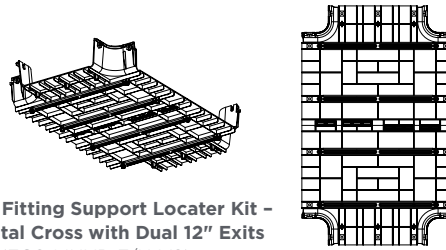
Variable Fitting Support Locator Kit - Horizontal Elbow
(FGS-MH4E-H-VS)



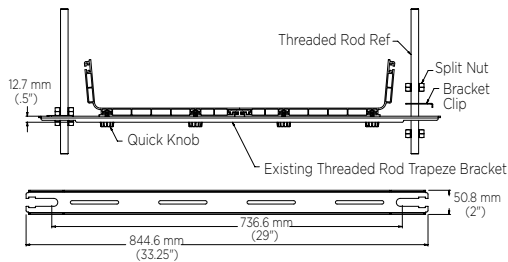
Variable Fitting Support Locator Kit - Horizontal T with Single 12" Exit
(FGS-MHRT-H/F-VS)



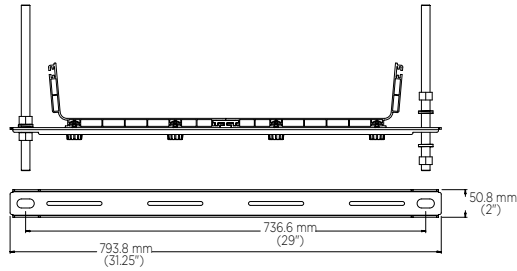
Variable Fitting Support Locator Kit - Horizontal Cross
(FGS-MHXP-H-VS)



Variable Fitting Support Locator Kit - Horizontal Cross with Dual 12" Exits
(FGS-MHXP-F/H-VS)



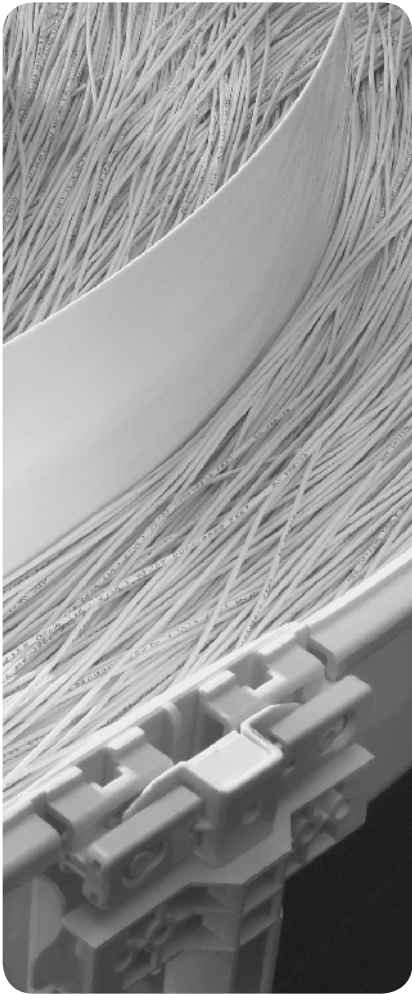
Existing 5/8" Threaded Rod Trapeze Bracket Kit
(FGS- HETP-H-5/8)



New 5/8" Threaded Rod Trapeze Bracket Kit
(FGS-HNTP-H-5/8)

ORDERING INFORMATION

Description	Catalog Number
4x24 System Support Kits	
Variable fitting support locator kit for;	
Horizontal elbow	FGS-MH4E-H-VS
Horizontal T with single 12" exit	FGS-MHRT-H/F-VS
Horizontal cross	FGS-MHXP-H-VS
Horizontal cross with dual 12" exits	FGS-MHXP-F/H-VS
Threaded rod trapeze bracket kit for;	
Existing; 5/8"	FGS-HETP-H-5/8
New; 5/8"	FGS-HNTP-H-5/8

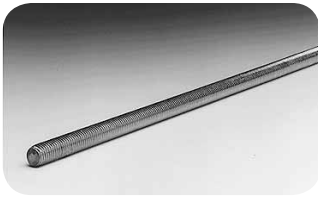


Accessories

Support Kit Accessories.....	96
System Accessories.....	97
Ordering Information.....	98

Support Kit Accessories

2x2, 2x6, 4x4, 4x6, 4x12, 4x24 Support Kit Accessories



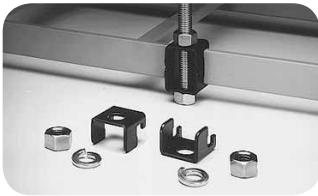
Threaded Rod
(FGS-HTHR)



Auxiliary Framing Kit
(FGS-HFCK)



Adjustable Angle Support Brackets
(FGS-HASB)



Ladder Rack Bracket Kit
FGS-HLDR shown alone and attached to ladder rack



Unistrut Nut Kit
(FGS-HDGR)

ORDERING INFORMATION

Description	Catalog Number
Threaded rod	
5/8" - 11 x 12"	FGS-HTHR-5/8-12
5/8" - 11 x 30"	FGS-HTHR-5/8-30
5/8" - 11 x 72"	FGS-HTHR-5/8-72
1/2" - 13 x 12"	FGS-HTHR-1/2-12
1/2" - 13 x 30"	FGS-HTHR-1/2-30
1/2" - 13 x 72"	FGS-HTHR-1/2-72
Threaded rod; (XX = size: 12 mm, 14 mm, 16 mm) (NN = length: 30 cm, 75 cm, 180 cm)	FGS-HTHR-XX-NN
Auxiliary framing kit	
2x 9/16" x 3/16" for 5/8" rod	FGS-HFCK-5/8
2x 9/16" x 3/16" for 1/2" rod	FGS-HFCK-1/2
Adjustable angle support brackets with 5/8" threaded rod	
11 x 36" rod	FGS-HASB-5/8-36
11 x 48" rod	FGS-HASB-5/8-48
Adjustable angle support brackets with 1/2" threaded rod	
13 x 36" rod	FGS-HASB-1/2-36
13 x 48" rod	FGS-HASB-1/2-48
Ladder rack bracket kit for radiused ladder racking	FGS-HLDR-A
Ladder rack bracket kit; (XX = size: 1/2", 5/8", 12 mm, 14 mm, 16 mm)	FGS-HLDR-XX
Unistrut nut kit; 5/8"	FGS-HDGR
Frame mounting hardware kit; (XX = size: 1/2", 5/8", 12 mm, 14 mm, 16 mm)	FGS-HKFM-XX

System Accessories



**2" Outer Diameter
Slotted Flex Tube**
(FGS-MIDY)



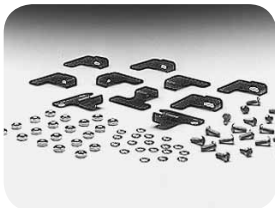
**7/8" Outer Diameter
Slotted Flex Tube**
(FGS-MFTY)



**Single Hinges for
4" and 6" Covers**
(FGS-HHGK)



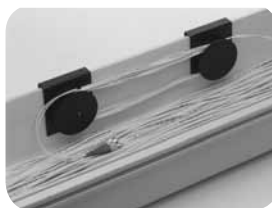
Retainer Rings
(FGS-HFRR-10)



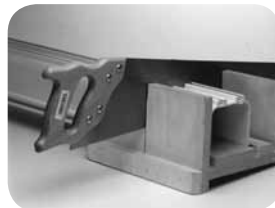
Flex Tube Clamp
(FGS-HHEC-10)



Storage Spools
(FGS-MSTOR-A/B/F)



Shown Installed
(FGS-MSTOR-A/B/F)



Mitre Box and Saw
(FGS-MKIT-ABF)



Retrofit Fin - Kit of 10
(FGS-MFIN-10)



Quick Knobs - Kit of 10
(FGS-KQKB)

System Accessories

ORDERING INFORMATION

Description	Catalog Number	
	Yellow System	Black System
Trough cover clip kit	FGS-KT09	FGS-KT09
Slotted and solid flex tubes		
(X = length: 5, 10, 15, 20, 25, 50, 75, 100, 125, 150, 200, 250)	FGS-MIDY-XF	FGSB-MIDY-XF
(X = length: 5, 10, 15, 20, 25, 50, 75, 100, 125, 150, 200, 250)	FGS-MLDY-XF	FGSB-MLDY-XF
(X = length: 5, 10, 15, 20, 25, 50, 75, 100, 125, 150, 200, 250)	FGS-MFTY-XF	FGSB-MFTY-XF
(X = length: 5, 10, 15, 20, 25, 50, 75, 100, 125, 150, 200, 250)	FGS-MISY-XF	FGSB-MISY-XF
Hinges; single hinges for 4x4 and 4x6 covers	FGS-HHGK	FGS-HHGK
Retainer rings; kit of 10 – used to retain fibers in 2" flex tube	FGS-HFRR-10	FGS-HFRR-10
Flex tube clamp; kit of 10 – used to secure 2" flex tube to 2" vertical ducts	FGS-HHEC-10	FGS-HHEC-10
Storage spools for dark fiber jumpers; kit of 2	FGS-MSTOR-A/B/F	FGS-MSTOR-A/B/F
Mitre box with saw		
Used to cut 2x2, 4x4, 4x6, and 4x12 FiberGuide® straight sections to size	FGS-MKIT-ABF	FGS-MKIT-ABF
Used to cut 2x2, 4x4, and 4x6 FiberGuide straight sections to size	FGS-MKIT	FGS-MKIT
IFC tie down for;		
4x4 system	FGS-HIFC-A	FGS-HIFC-A
4x6 system	FGS-HIFC-B	FGS-HIFC-B
4x12 system	FGS-HIFC-F	FGS-HIFC-F
Quick knobs with T-bolt and cover slip; kit of 10	FGS-KQKB	FGS-KQKB
Reverse junction adapter kit for 4x4, 4x6, and 4x12 systems; used to connect two parts rotated 180°	FGS-HRJA-A/B/F	FGS-HRJA-A/B/F
Retrofit fin; kit of 10	FGS-MFIN-10	FGS-MFIN-10

Other nonstandard colors available by request.

Index

F		
FGS-ACC063	71	
FGS-ASRI-5F	34, 44	
FGS-ASRI-10F	34, 44	
FGS-ASRI-15F	34, 44	
FGSB-ACC063	71	
FGSB-ASRI-5F	34, 44	
FGSB-ASRI-10F	34, 44	
FGSB-ASRI-15F	34, 44	
FGSB-DHHC	36, 46, 54	
FGSB-HMEC-C	20	
FGSB-ISLAND3-F	52	
FGSB-ISLAND-F	52	
FGSB-ISLAND-F-513	52	
FGSB-ISLAND-H/F	61	
FGSB-JUNC-G	28	
FGSB-KDH2-C	21	
FGSB-KT03-A	34, 44	
FGSB-KT03-A1	34, 44	
FGSB-KT03-A1-10F	34, 44	
FGSB-KT03-A1-15F	34, 44	
FGSB-KT03-A4-5F	34, 44	
FGSB-KT03-A4-10F	34, 44	
FGSB-KT03-A4-15F	34, 44	
FGSB-KT03-A10F	34, 44	
FGSB-KT03-A15F	34, 44	
FGSB-KT03-B	52	
FGSB-KT03-B-10F	52	
FGSB-KT03-B-15F	52	
FGSB-KT03-C	21, 67	
FGSB-KT03-C-10F	21, 67	
FGSB-KT03-C-15F	21, 67	
FGSB-KT03-G-5F	26	
FGSB-KT07-A4-5F	34, 44	
FGSB-KT07-A4-10F	34, 44	
FGSB-KT07-A4-15F	34, 44	
FGSB-KTW1-E	71	
FGSB-KTW1-JA	71	
FGSB-KTW1-JB	71	
FGSB-KTW1-JN	71	
FGSB-KTW2-J	71	
FGSB-KTW2-JN	71	
FGSB-KTW2-K	71	
FGSB-KTW2-R	71	
FGSB-KTW2-RN	71	
FGSB-KTW2-T	71	
FGSB-KTW2-TN	71	
FGSB-KTW4-E	71	
FGSB-MCDS-AB	34, 44	
FGSB-MCDS-EX-AB	34, 44	
FGSB-MD4A-C	20	
FGSB-MD4E-A	32	
FGSB-MD4E-B	42	
FGSB-MD4E-F	50	
FGSB-MD4E-G	26	
FGSB-MD4E-H	60	
FGSB-MD9A-C	20	
FGSB-MD9E-A	32	
FGSB-MD9E-B	42	
FGSB-MD9E-F	50	
FGSB-MD9E-G	26	
FGSB-MDRT-F	52	
FGSB-MDSA-AB	32, 42	
FGSB-MDSA-AC	20	
FGSB-MDSA-F2B	50	
FGSB-MDSA-FB	42, 50	
FGSB-MDSA-GA	26	
FGSB-MDSA-GB	26	
FGSB-MDSA-HF	60	
FGSB-MDSP-2B	44	
FGSB-MDSP-2B-IMP	44	
FGSB-MDSP-A	34	
FGSB-MDSP-A/I	34	
FGSB-MDSP-B	44	
FGSB-MDSP-B/I	44	
FGSB-MDSP-C	21	
FGSB-MDSP-EX-A	34	
FGSB-MDSP-EX-B	44	
FGSB-MDSP-F	52	
FGSB-MDSP-F/I	52	
FGSB-MDSP-G	26	
FGSB-MEX1-C-5F	21, 67	
FGSB-MEX1-C-10F	21, 67	
FGSB-MEX1-C-15F	21, 67	
FGSB-MEXC-E-A	66	
FGSB-MEXC-E-A/B/F	66	
FGSB-MEXC-E-B	66	
FGSB-MEXC-E-F	66	
FGSB-MEXP-A/B/F	67	
FGSB-MEXP-E-A/B/F	66	
FGSB-MEXP-LP-A/B/F	67	
FGSB-MEXP-LP-G	26	
FGSB-MFAW-A	36	
FGSB-MFAW-B	46	
FGSB-MFAW-F	55	
FGSB-MFAW-H	62	
FGSB-MFTY-XF	98	
FGSB-MH4A-C	20	
FGSB-MH4E-A	32	
FGSB-MH4E-B	42	
FGSB-MH4E-F	50	
FGSB-MH4E-G	26	
FGSB-MH4E-H	60	
FGSB-MH9A-C	20	
FGSB-MH9A-C-45/2	20	
FGSB-MH9E-A	32	
FGSB-MH9E-B	42	
FGSB-MH9E-F	50	
FGSB-MH9E-G	26	
FGSB-MHIS-A	32, 42, 50	
FGSB-MHIS-A/H	60	
FGSB-MHIS-B	32, 42, 50	
FGSB-MHIS-B/H	60	
FGSB-MHIS-F	32, 42, 50	
FGSB-MHIS-F/H	60	
FGSB-MHRT-A	32	
FGSB-MHRT-B	42	
FGSB-MHRT-F	50	
FGSB-MHRT-F/B	50	
FGSB-MHRT-G	26	
FGSB-MHRT-H	60	
FGSB-MHRT-H/F	60	
FGSB-MHTA-C	20	
FGSB-MHXP-A	32	
FGSB-MHXP-B	42	
FGSB-MHXP-B/F	50	
FGSB-MHXP-C	20	
FGSB-MHXP-F	50	
FGSB-MHXP-F/H	60	
FGSB-MHXP-G	26	
FGSB-MHXP-H	60	
FGSB-MIDY-XF	98	
FGSB-MISY-XF	98	
FGSB-MJWR-A	34, 44	
FGSB-MJWR-C	22	
FGSB-MJWR-D	73	
FGSB-MJWRM-C	72	
FGSB-MLDY-XF	98	
FGSB-MSDS-C	21	
FGSB-MSHA-C	22	
FGSB-MSHC-J	71	
FGSB-MSHC-K	71	
FGSB-MSHS-A	36	
FGSB-MSHS-B	46	
FGSB-MSHS-CB	71	
FGSB-MSHS-F	54	
FGSB-MSHS-G	28	
FGSB-MSHS-H	62	
FGSB-MSHS-K	71	
FGSB-MSHS-KF	71	
FGSB-MSHS-KN	71	
FGSB-MSHS-KS	71	
FGSB-MSHS-KT	71	
FGSB-MSHS-STOR-B	46	
FGSB-MSHS-STOR-F	54	
FGSB-MSNC-A	36	
FGSB-MSNC-B/G	28, 46	
FGSB-MSNC-F	54	
FGSB-MSSC-A	36	
FGSB-MSSC-B/G	28, 46	
FGSB-MSSC-F	54	
FGSB-MTRM-2B	44	
FGSB-MTRM-2B-IMP	44	
FGSB-MTRM-A	34, 44	
FGSB-MTRM-B	52	
FGSB-MTRM-C	21, 67	
FGSB-MTRM-D	71	
FGSB-MTRM-DS	71	
FGSB-MTRM-F	52	
FGSB-MTRM-G	26	
FGSB-MU4A-C	20	
FGSB-MU4E-A	32	
FGSB-MU4E-B	42	
FGSB-MU4E-F	50	
FGSB-MU4E-G	26	
FGSB-MU4E-H	60	
FGSB-MU9A-C	20	
FGSB-MU9E-A	32	
FGSB-MU9E-B	42	
FGSB-MVAR-A	32, 36	
FGSB-MVAR-B	42, 46	
FGSB-MVAR-F	50, 54	
FGSB-SD4E-A	32	
FGSB-SD4E-B	42	
FGSB-SD4E-F	50	
FGSB-SD9E-A	32	
FGSB-SD9E-B	42	
FGSB-SD9E-F	50	
FGSB-SDSA-AB	32, 42	

Index

FGSB-SDSA-F2B.....	50	FGS-HDSI-F/C.....	52	FGS-KDH2-C.....	21
FGSB-SDSA-FB.....	42, 50	FGS-HDSI-F/D.....	52	FGS-KQKB.....	98
FGSB-SDSP-F.....	52	FGS-HETP-F-XX.....	90	FGS-KT03-A.....	34, 44
FGSB-SH4E-A.....	32	FGS-HETP-H-5/8.....	94	FGS-KT03-A1.....	34, 44
FGSB-SH4E-B.....	42	FGS-HETR-5/8-A.....	86	FGS-KT03-A1-10F.....	34, 44
FGSB-SH4E-F.....	50	FGS-HETR-F-XX.....	90	FGS-KT03-A1-15F.....	34, 44
FGSB-SH9E-A.....	32	FGS-HETR-XX.....	86	FGS-KT03-A4-5F.....	34, 44
FGSB-SH9E-B.....	42	FGS-HFCK-1/2.....	96	FGS-KT03-A4-10F.....	34, 44
FGSB-SH9E-F.....	50	FGS-HFCK-5/8.....	96	FGS-KT03-A4-15F.....	34, 44
FGSB-SHRT-A.....	32	FGS-HFRR-10.....	98	FGS-KT03-A10F.....	34, 44
FGSB-SHRT-B.....	42	FGS-HHEC-10.....	98	FGS-KT03-A15F.....	34, 44
FGSB-SHRT-F.....	50	FGS-HHGK.....	98	FGS-KT03-B.....	52
FGSB-SHRT-F/B.....	50	FGS-HIFC-A.....	98	FGS-KT03-B-10F.....	52
FGSB-SHXP-A.....	32	FGS-HIFC-B.....	98	FGS-KT03-B-15F.....	52
FGSB-SHXP-B.....	42	FGS-HIFC-F.....	98	FGS-KT03-C.....	21, 67
FGSB-SHXP-B/F.....	50	FGS-HKFM-XX.....	96	FGS-KT03-C-10F.....	21, 67
FGSB-SHXP-F.....	50	FGS-HKW2-E.....	73	FGS-KT03-C-15F.....	21, 67
FGSB-SU4E-A.....	32	FGS-HLBC.....	86	FGS-KT03-G-5F.....	26
FGSB-SU4E-B.....	42	FGS-HLDR-A.....	96	FGS-KT07-A4-5F.....	34, 44
FGSB-SU4E-F.....	50	FGS-HLDR-XX.....	96	FGS-KT07-A4-10F.....	34, 44
FGSB-SU9E-A.....	32	FGS-HLR2-C.....	82	FGS-KT07-A4-15F.....	34, 44
FGS-BTBL-C.....	82	FGS-HMEC-A.....	32	FGS-KT09.....	98
FGS-BTBS-C.....	82	FGS-HMEC-B.....	42	FGS-KTW1-E.....	71
FGSB-TRMP42.....	71	FGS-HMEC-C.....	20	FGS-KTW1-JA.....	71
FGSB-TRMP44.....	71	FGS-HMEC-E.....	73	FGS-KTW1-JB.....	71
FGSB-V9E44.....	71	FGS-HMEC-F.....	50	FGS-KTW1-JN.....	71
FGS-CD4E-A.....	32	FGS-HMEC-G.....	26	FGS-KTW2-J.....	71
FGS-CD4E-B.....	42	FGS-HMEC-H.....	60	FGS-KTW2-JN.....	71
FGS-CD9E-A.....	32	FGS-HNLR-AB.....	86	FGS-KTW2-K.....	71
FGS-CD9E-B.....	42	FGS-HNLR-F.....	90	FGS-KTW2-R.....	71
FGS-CDSA-AB.....	32, 42	FGS-HNTP-F-XX.....	90	FGS-KTW2-RN.....	71
FGS-CH4E-A.....	32	FGS-HNTP-H-5/8.....	94	FGS-KTW2-T.....	71
FGS-CH4E-B.....	42	FGS-HNTR-5/8-A.....	86	FGS-KTW2-TN.....	71
FGS-CH9E-A.....	32	FGS-HNTR-F-XX.....	90	FGS-KTW4-E.....	71
FGS-CH9E-B.....	42	FGS-HNTR-XX.....	86	FGS-MCDS-AB.....	34
FGS-CHRT-A.....	32	FGS-HNTS-F-XX.....	90	FGS-MCDS-AB**.....	44
FGS-CHRT-B.....	42	FGS-HNTS-F-XX-LP.....	90	FGS-MCDS-EX-AB.....	34, 44
FGS-CHXP-A.....	32	FGS-HNTS-XX.....	86	FGS-MD4A-C.....	20
FGS-CHXP-B.....	42	FGS-HNTS-XX-LP.....	86	FGS-MD4E-A.....	32
FGS-CU4E-B.....	42	FGS-HOMX-16MM.....	86	FGS-MD4E-B.....	42
FGS-CU9E-B.....	42	FGS-HRJA-A/B/F.....	98	FGS-MD4E-F.....	50
FGS-DHCP.....	28, 36, 46, 54	FGS-HSHC-10.....	21	FGS-MD4E-G.....	26
FGS-DHHC.....	36, 46, 54	FGS-HTHR-1/2-12.....	96	FGS-MD4E-H.....	60
FGS-FD4E-H.....	62	FGS-HTHR-1/2-30.....	96	FGS-MD9A-C.....	20
FGS-FDSA-HF.....	62	FGS-HTHR-1/2-72.....	96	FGS-MD9E-A.....	32
FGS-FH4E-H.....	62	FGS-HTHR-5/8-12.....	96	FGS-MD9E-B.....	42
FGS-FHRT-H.....	62	FGS-HTHR-5/8-30.....	96	FGS-MD9E-F.....	50
FGS-FHRT-H/F.....	62	FGS-HTHR-5/8-72.....	96	FGS-MD9E-G.....	26
FGS-FHXP-F/H.....	62	FGS-HTHR-XX-NN.....	96	FGS-MDRT-F.....	52
FGS-FHXP-H.....	62	FGS-HTR2-1/2.....	83	FGS-MDSA-AB.....	32, 42
FGS-FSFC-H.....	62	FGS-HTR2-2-5/8.....	83	FGS-MDSA-AC.....	20
FGS-HAEJ-C.....	83	FGS-HTR2-5/8.....	83	FGS-MDSA-F2B.....	50
FGS-HASB-1/2-36.....	96	FGS-HTUB-F-XX.....	90	FGS-MDSA-FB.....	42, 50
FGS-HASB-1/2-48.....	96	FGS-HTUB-XX.....	86	FGS-MDSA-FB-L.....	50
FGS-HASB-5/8-36.....	96	FGS-HUFB-A.....	86	FGS-MDSA-FB-R.....	50
FGS-HASB-5/8-48.....	96	FGS-HUFB-C.....	82	FGS-MDSA-GA.....	26
FGS-HASK-C.....	83	FGS-HWMB-C.....	72	FGS-MDSA-GB.....	26
FGS-HCBL-12.....	86	FGS-HWMB-D.....	73	FGS-MDSA-HF.....	60
FGS-HCBL-15.....	86	FGS-ISLAND3-F.....	52	FGS-MDSP-2B.....	44
FGS-HDCB-C.....	82	FGS-ISLAND-F.....	52	FGS-MDSP-2B-IMP.....	44
FGS-HDGR.....	96	FGS-ISLAND-F-513.....	52	FGS-MDSP-A.....	34
FGS-HDLB-3.....	86	FGS-ISLAND-H/F.....	61	FGS-MDSP-A/I.....	34
FGS-HDSI-AB.....	34, 44	FGS-JUNC-G.....	28	FGS-MDSP-B.....	44

Index

FGS-MDSP-B/I.....	44	FGS-MHXP-F/H.....	60	FGS-SD4E-F.....	50
FGS-MDSP-C.....	21	FGS-MHXP-F/H-VS.....	94	FGS-SD9E-A.....	32
FGS-MDSP-EX-A.....	34	FGS-MHXP-F-VS.....	50	FGS-SD9E-B.....	42
FGS-MDSP-EX-B.....	44	FGS-MHXP-G.....	26	FGS-SD9E-F.....	50
FGS-MDSP-F.....	52	FGS-MHXP-H.....	60	FGS-SDSA-AB.....	32, 42
FGS-MDSP-F/I.....	52	FGS-MHXP-H-VS.....	94	FGS-SDSA-F2B.....	50
FGS-MDSP-F-VS.....	50	FGS-MIDY-XF.....	98	FGS-SDSA-FB.....	42, 50
FGS-MDSP-G.....	26	FGS-MISY-XF.....	98	FGS-SDSP-F.....	52
FGS-MEX1-C-5F.....	21, 67	FGS-MJWR-A.....	34, 44	FGS-SH4E-A.....	32
FGS-MEX1-C-10F.....	21, 67	FGS-MJWR-C.....	22	FGS-SH4E-B.....	42
FGS-MEX1-C-15F.....	21, 67	FGS-MJWR-D.....	73	FGS-SH4E-F.....	50
FGS-MEXC-E-A.....	66	FGS-MJWRM-C.....	72	FGS-SH9E-A.....	32
FGS-MEXC-E-A/B/F.....	66	FGS-MKIT.....	98	FGS-SH9E-B.....	42
FGS-MEXC-E-B.....	66	FGS-MKIT-ABF.....	98	FGS-SH9E-F.....	50
FGS-MEXC-E-F.....	66	FGS-MLDY-XF.....	98	FGS-SHRT-A.....	32
FGS-MEXP-A/B/F.....	67	FGS-MSDS-C.....	21	FGS-SHRT-B.....	42
FGS-MEXP-E-A/B/F.....	66	FGS-MSHA-C.....	22	FGS-SHRT-F.....	50
FGS-MEXP-LP-A/B/F.....	67	FGS-MSHC-J.....	71	FGS-SHRT-F/B.....	50
FGS-MEXP-LP-G.....	26	FGS-MSHC-K.....	71	FGS-SHXP-A.....	32
FGS-MFAW-A.....	36	FGS-MSHS-A.....	36	FGS-SHXP-B.....	42
FGS-MFAW-B.....	46	FGS-MSHS-B.....	46	FGS-SHXP-B/F.....	50
FGS-MFAW-F.....	55	FGS-MSHS-CB.....	71	FGS-SHXP-F.....	50
FGS-MFAW-H.....	62	FGS-MSHS-F.....	54	FGS-SU4E-A.....	32
FGS-MFIN-10.....	98	FGS-MSHS-G.....	28	FGS-SU4E-B.....	42
FGS-MFTY-XF.....	98	FGS-MSHS-H.....	62	FGS-SU4E-F.....	50
FGS-MH4A-C.....	20	FGS-MSHS-K.....	71	FGS-SU9E-A.....	32
FGS-MH4E-A.....	32	FGS-MSHS-KF.....	71	FGS-TRMP42.....	71
FGS-MH4E-B.....	42	FGS-MSHS-KN.....	71	FGS-TRMP44.....	71
FGS-MH4E-F.....	50	FGS-MSHS-KS.....	71	FGS-V9E44.....	71
FGS-MH4E-G.....	26	FGS-MSHS-KT.....	71	FGS-VDSA-FB-L.....	50
FGS-MH4E-H.....	60	FGS-MSHS-STOR-B.....	46	FGS-VDSA-FB-R.....	50
FGS-MH4E-H-VS.....	94	FGS-MSHS-STOR-F.....	54	FGS-VQE22.....	71
FGS-MH9A-C.....	20	FGS-MSNC-A.....	36	FGS-VQE44.....	71
FGS-MH9A-C-45/2.....	20	FGS-MSNC-B/G.....	28, 46		
FGS-MH9E-A.....	32	FGS-MSNC-F.....	54		
FGS-MH9E-B.....	42	FGS-MSSC-A.....	36	R	
FGS-MH9E-F.....	50	FGS-MSSC-B/G.....	28, 46	RGS-RA001-B.....	79
FGS-MH9E-F-VS.....	50	FGS-MSSC-F.....	54	RGS-RC001-B.....	79
FGS-MH9E-G.....	26	FGS-MSTOR-A/B/F.....	98	RGS-RC002-B.....	79
FGS-MHIS-A.....	32, 42, 50	FGS-MTRM-2B.....	44	RGS-RC003-B.....	79
FGS-MHIS-A/H.....	60	FGS-MTRM-2B-IMP.....	44	RGS-RC004-B.....	79
FGS-MHIS-B.....	32, 42, 50	FGS-MTRM-A.....	34, 44	RGS-RC005-B.....	79
FGS-MHIS-B/H.....	60	FGS-MTRM-B.....	52	RGS-RC006-B.....	79
FGS-MHIS-F.....	32, 42, 50	FGS-MTRM-C.....	21, 67	RGS-SC001-B.....	79
FGS-MHIS-F/H.....	60	FGS-MTRM-D.....	71	RGS-SC001-B8.....	79
FGS-MHIS-JIG-A/B/F.....	32, 42, 50	FGS-MTRM-DS.....	71	RGS-SC002-B.....	79
FGS-MHRT-A.....	32	FGS-MTRM-F.....	52	RGS-SC003-B.....	79
FGS-MHRT-B.....	42	FGS-MTRM-G.....	26	RGS-TC001-B.....	79
FGS-MHRT-F.....	50	FGS-MTRM-H.....	61	RGS-VOBX0A-P.....	79
FGS-MHRT-F/B.....	50	FGS-MU4A-C.....	20	RGS-VOBX0B-P.....	79
FGS-MHRT-F/B-VS.....	50	FGS-MU4E-A.....	32	RGS-VOCX0A-P.....	79
FGS-MHRT-F-VS.....	50	FGS-MU4E-B.....	42	RGS-VOCX0B-P.....	79
FGS-MHRT-G.....	26	FGS-MU4E-F.....	50	RGS-VC001-B.....	79
FGS-MHRT-H.....	60	FGS-MU4E-G.....	26	RGS-VC002-B.....	79
FGS-MHRT-H/F.....	60	FGS-MU4E-H.....	60	RGS-VC003-B.....	79
FGS-MHRT-H/F-VS.....	94	FGS-MU9A-C.....	20	RGS-VRACC-CRKITB.....	79
FGS-MHTA-C.....	20	FGS-MU9E-A.....	32	RGS-VRACC-CRKITP.....	79
FGS-MHXP-A.....	32	FGS-MU9E-B.....	42		
FGS-MHXP-B.....	42	FGS-MVAR-A.....	32, 36		
FGS-MHXP-B/F.....	50	FGS-MVAR-B.....	42, 46		
FGS-MHXP-B/F-VS.....	50	FGS-MVAR-F.....	50, 54		
FGS-MHXP-C.....	20	FGS-SD4E-A.....	32		
FGS-MHXP-F.....	50	FGS-SD4E-B.....	42		

TE Connectivity and TE connectivity (logo) are trademarks. Other logos, product and/or Company names might be trademarks of their respective owners

While Tyco Electronics has made every reasonable effort to ensure the accuracy of the information in this document, Tyco Electronics does not guarantee that it is error-free, nor does Tyco Electronics make any other representation, warranty or guarantee that the information is accurate, correct, reliable or current. Tyco Electronics reserves the right to make any adjustments to the information contained herein at any time without notice. Tyco Electronics expressly disclaims all implied warranties regarding the information contained herein, including, but not limited to, any implied warranties of merchantability or fitness for a particular purpose. The dimensions in this document are for reference purposes only and are subject to change without notice. Specifications are subject to change without notice. Consult Tyco Electronics for the latest dimensions and design specifications.

4TH EDITION

Tyco Electronics Ltd.
Rheinstrasse 20
CH-8200 Schaffhausen
Switzerland
Tel: +41 (0)52 633 66 61

www.te.com / www.te.com/adckrone

© 2011 Tyco Electronics Corporation, a TE Connectivity Ltd. Company.
All Rights Reserved.

104892BE Revision 8/11 © 2011

