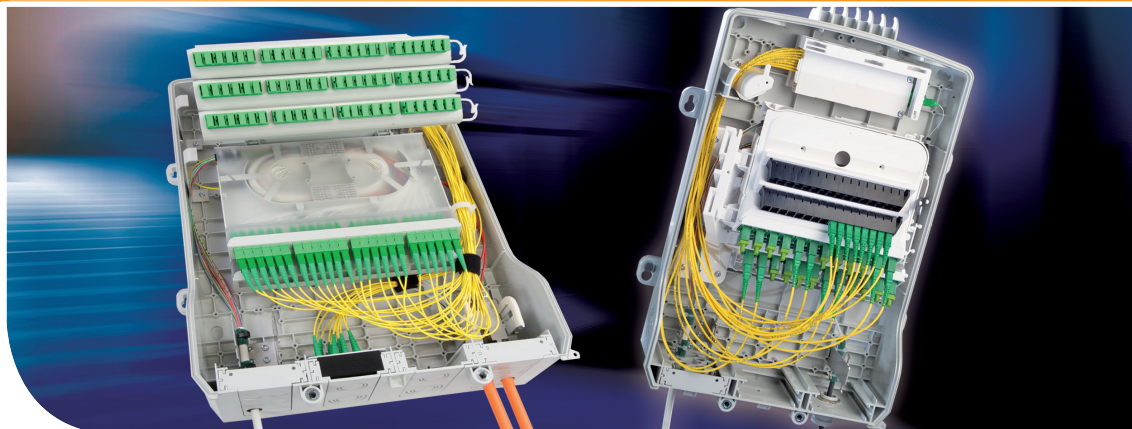


BUDI Plug-and-Play

Building Distribution Enclosure for Connectorized Applications



What is BUDI?

BUDI is a product range of compact, wall mountable fiber enclosures for indoor and outdoor use. They are specifically designed for fast deployment and easy customer connection.

The BUDI Plug-and Play speeds up FTTH deployments and is therefore especially suited for PON and point-to-point networks.

Available with splicing and/or patching capabilities, high connector density, small and larger footprints, the BUDI product range offers flexible solutions for a wide range of applications in the access network.

Benefits

- Plug-and-play solution
- Reduced installation time
- Fast customer connection
- Compact and flexible design
- Extensive product range

Features

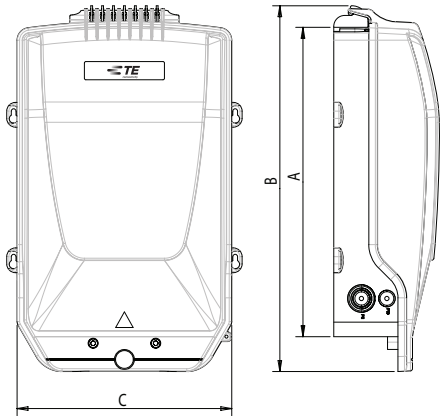
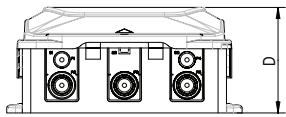
- Designed to operate in category C (controlled), category G (outdoor ground level) and category A (aerial) as characterized by IEC 61753-1
- Fire retardant, LSZH materials
- UV stable material for outdoor above ground use
- Multiple cable ports available
- Bottom cable seal blocks are wrap-around
- Accommodates SC, LC and other connectors
- Compatible with pre-connectorized Mini-Breakout cable
- Allows integration of passive optical components
- Small and large footprints
- Multiple accessories on cable termination and connectorization (PON, P2P)
- Can serve as demarcation between residential and business customers
- Removable enclosure lid
- QUAREO Scan Assist compatible

Features	Type of BUDI		
	BUDI-S-TB	BUDI-M-TB	BUDI-M-TH
PON network			
SC connections	24	48	96
LC connections	48	96	96
Cable loop	no	yes	yes
OCM6 splitters	4	6	3
Parking	32	32	24
Point-to-point network			
PtP connections	8	8	0
QUAREO Scan Assist compatibility	yes	yes	yes

BUDI Plug-and-Play

Building Distribution Enclosure for Connectorized Applications

Dimensions



Size	BUDI-S	BUDI-M
A: Height box (mm)	425	480
B: Height cover (mm)	500	550
C: Width (mm)	295	360
D: Depth (mm)	145	175

Ordering Information

BUDI-X-TB-X

Size

S
M

Lock

A No lock
B TE lock

Please refer to dimensions above.

Accessories required to complete BUDI-X-TB-X

	BUDI-PON-24S1-S	BUDI-PON-24S2-S	BUDI-PON-24L1-S	BUDI-PON-24L2-S	BUDI-PON-48S1-S	BUDI-PON-48S2-S	BUDI-PON-48L1-S	BUDI-PON-48L2-S	BUDI-PON-96L1-S	BUDI-PON-96L2-S
Kit content/PON application kit										
Patch trays (SMOUV splice holder)	2	2	1	1	4	4	2	2	4	4
Covers	1	1	no	no	3	3	1	1	3	3
Cover to contain connector parking lots	1	1	1	1	1	1	1	1	1	1
OCM6 splitter holder tower for 2 splitter modules	1	1	1	1	1	1	1	1	1	1
OCM6 splitter extension	no	no	no	no	2	2	2	2	2	2
SC parking array	1	1	no	no	2	2	no	no	no	no
LC parking array	no	no	1	1	no	no	2	2	2	2
# S1 ADKs	24	no	no	no	48	no	no	no	no	no
# S2 ADKs	no	24	no	no	no	48	no	no	no	no
# L1 duplex ADKs	no	no	12	no	no	no	24	no	48	no
# L2 duplex ADKs	no	no	no	12	no	no	no	24	no	48
# S1/S2 for splitter input connection	2	2	2	2	4	4	4	4	4	4
Pigtail management tower	no	no	no	no	1	1	1	1	1	1
Tray riser cable fixation	yes	yes	yes	yes	yes	yes	yes	yes	yes	yes

BUDI Plug-and-Play

Building Distribution Enclosure for Connectorized Applications

BUDI-M-TH-X-X XX XX X

Lock

- A No Lock
- B TE lock and key No. 1

Configuration

- A Adapters only
- P Pigtailed and adapters

Splice holder

- S SMOUV
- A ANT

Type of adapter and/or pigtail

- S1 SC/UCP
- S2 SC/APC 8°
- L1 LC/UPC
- L2 LC/APC
- NN No adapters

Number of connections

- 72
- 96

DATA SHEET



Tyco Electronics Raychem bvba

Diestsesteenweg 692
3010 Kessel-Lo, Belgium
Tel 32-16 351 011
Fax 32-16 351 697

www.te.com
www.te.com/telecomnetworks

TE Connectivity, TE connectivity (logo), Tyco Electronics, and TE (logo) are trademarks of the TE Connectivity Ltd. family of companies and its licensors. All other logos, products and/or company names referred to herein might be trademarks of their respective owners.

The information given herein, including drawings, illustrations and schematics which are intended for illustration purposes only, is believed to be reliable. However, TE Connectivity makes no warranties as to its accuracy or completeness and disclaims any liability in connection with its use. TE Connectivity's obligations shall only be as set forth in TE Connectivity's Standard Terms and Conditions of Sale for this product and in no case will TE Connectivity be liable for any incidental, indirect or consequential damages arising out of the sale, resale, use or misuse of the product. Users of TE Connectivity products should make their own evaluation to determine the suitability of each such product for the specific application.

Tyco Electronics Corporation, a TE Connectivity Ltd. Company. All Rights Reserved.

TC 1161/DS/4 01/14 Original © 2013