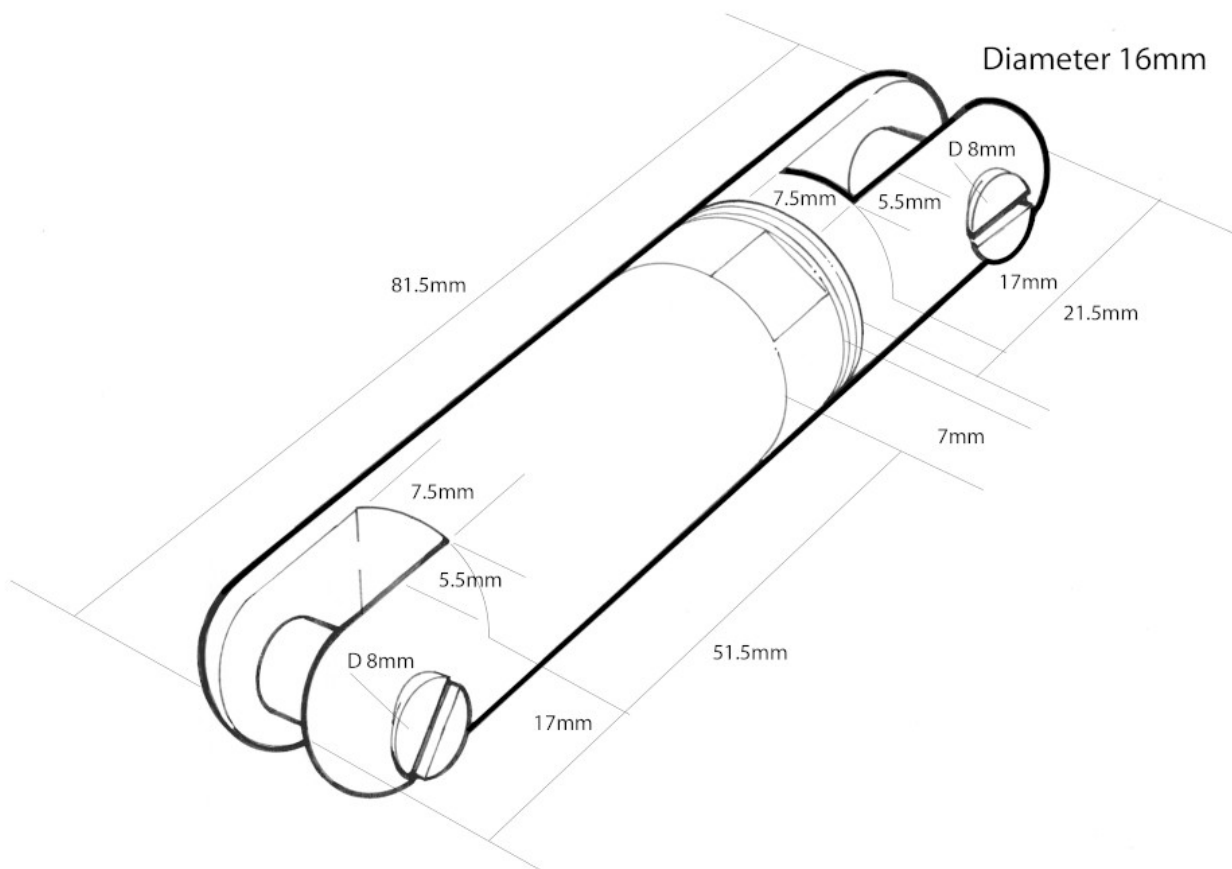


# Mills 16mm Connector Fused Swivel Set (1kN, 1.5kN, 2kN, 3kN)

Product Images

Product Code: S83-1864





## Short Description

Fused swivels, available in 16mm and 22mm diameters and specially designed for the safe installation of fibre optic cables and featuring a patented shear bolt design which gives breaking accuracy of +/- 5% ensuring the cable is not subjected to excessive pulling forces. The precision machined body is manufactured from hardened steel and featured two precision thrust races to reduce cable twist.

These connector fused swivels are also available individually in a choice of 4 popular breaking strains, covering 1kN, 1.5kN, 2kN and 3kN. The different breaking strains of the swivel are easily identified by colour coded washers as follows.

Yellow 1kN.

Green 1.5kN

2

Blue 2kN

Red 3kN

These connector swivels are also available in sets with a swivel body, colour identification washers and 2 of each shear pins covering 1kN, 1.5kN, 2kN and 3kN breaking strains

## Description

---

Fused swivels, available in 16mm and 22mm diameters and specially designed for the safe installation of fibre optic cables and featuring a patented shear bolt design which gives breaking accuracy of +/- 5% ensuring the cable is not subjected to excessive pulling forces. The precision machined body is manufactured from hardened steel and featured two precision thrust races to reduce cable twist.

These connector fused swivels are also available individually in a choice of 4 popular breaking strains, covering 1kN, 1.5kN, 2kN and 3kN. The different breaking strains of the swivel are easily identified by colour coded washers as follows.

Yellow 1kN.

Green 1.5kN

Blue 2kN

Red 3kN

These connector swivels are also available in sets with a swivel body, colour identification washers and 2 of each shear pins covering 1kN, 1.5kN, 2kN and 3kN breaking strains