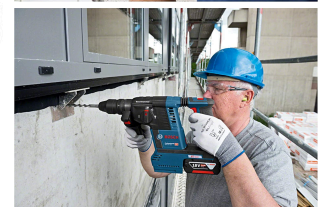


# Bosch GBH18-26F 18V SDS Cordless Rotary Hammer Drill with 2 x 5.0Ah Batteries

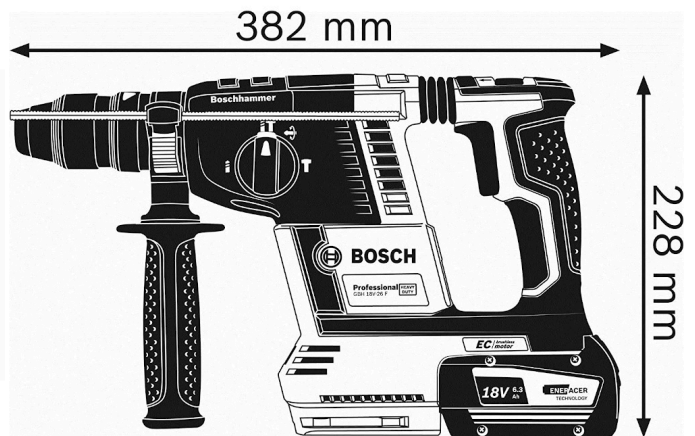
Product Images

Product Code: P09-5555





x2



## Short Description

---

The GBH 18V-26 F Professional with quick-change chuck is the universal performer in Bosch's SDS plus cordless rotary hammer category, making it perfect for daily use.

An optional GDE 18V-16 Professional dust extraction unit integrates with the hammer, providing a self-contained HEPA dust solution for maximum mobility.

The rotary hammer also features KickBack Control and Electronic Precision Control (EPC) for better tool handling and increased user protection. Its powerful motor delivers 2.6 J of impact energy for fast material removal rates.

### Equipment & Application

This tool is intended for drilling and chiselling in concrete, masonry, wood, and metal. It is compatible with various dust attachments as well as all Bosch Professional 18 V batteries and chargers (Professional 18V System).

### Additional Information

The GBH 18V-26 F Professional also includes various additional features such as Constant Speed, a Brushless Motor, Electronic Motor Protection (EMP), as well as an LED light, Rotation Control Clutch, Variable Speed, Vario Lock, and Vibration Control.

### Includes

Auxiliary handle  
Depth stop 210 mm  
Quick charger  
L-BOXX with inlay  
Machine cloth  
Quick change chuck 13 mm  
SDS plus quick-change chuck  
2 x battery GBA 18V 5.0Ah

### Technical Information

Impact energy (according to EPTA 05/2016)\* 2.6 J  
Impact rate at rated speed\* 0 – 4,350 bpm  
Rated speed\* 0 – 980 rpm  
Battery voltage\* 18.0 V  
Tool holder SDS plus

### Drilling range

Drilling dia. in concrete with hammer drill bits 4 – 26 mm  
Opt. app. range in concrete with hammer drill bits 8 – 16 mm  
Max. drilling diameter in metal 13 mm  
Max. drilling diameter in wood 30 mm

#### Total vibration values ( Hammer drilling in concrete )

Vibration emission value ah 13 m/s<sup>2</sup>

Uncertainty K 1.5 m/s<sup>2</sup>

#### Total vibration values ( Drilling in metal )

Vibration emission value ah 1.5 m/s<sup>2</sup>

Uncertainty K 2.5 m/s<sup>2</sup>

#### Total vibration values ( Screwdriving )

Vibration emission value ah 1.5 m/s<sup>2</sup>

Uncertainty K 2.5 m/s<sup>2</sup>

#### Noise/vibration information

Sound pressure level 102 dB(A)

Sound power level 91 dB(A)

Uncertainty K 3 dB

## Description

---

The GBH 18V-26 F Professional with quick-change chuck is the universal performer in Bosch's SDS plus cordless rotary hammer category, making it perfect for daily use.

An optional GDE 18V-16 Professional dust extraction unit integrates with the hammer, providing a self-contained HEPA dust solution for maximum mobility.

The rotary hammer also features KickBack Control and Electronic Precision Control (EPC) for better tool handling and increased user protection. Its powerful motor delivers 2.6 J of impact energy for fast material removal rates.

#### Equipment & Application

This tool is intended for drilling and chiselling in concrete, masonry, wood, and metal. It is compatible with various dust attachments as well as all Bosch Professional 18 V batteries and chargers (Professional 18V System).

#### Additional Information

The GBH 18V-26 F Professional also includes various additional features such as Constant Speed, a Brushless Motor, Electronic Motor Protection (EMP), as well as an LED light, Rotation Control Clutch, Variable Speed, Vario Lock, and Vibration Control.

#### Includes

Auxiliary handle

Depth stop 210 mm

Quick charger

L-BOXX with inlay

Machine cloth

4

Quick change chuck 13 mm  
SDS plus quick-change chuck  
2 x battery GBA 18V 5.0Ah

#### Technical Information

Impact energy (according to EPTA 05/2016)\* 2.6 J  
Impact rate at rated speed\* 0 – 4,350 bpm  
Rated speed\* 0 – 980 rpm  
Battery voltage\* 18.0 V  
Tool holder SDS plus

#### Drilling range

Drilling dia. in concrete with hammer drill bits 4 – 26 mm  
Opt. app. range in concrete with hammer drill bits 8 – 16 mm  
Max. drilling diameter in metal 13 mm  
Max. drilling diameter in wood 30 mm

Total vibration values ( Hammer drilling in concrete )  
Vibration emission value ah 13 m/s<sup>2</sup>  
Uncertainty K 1.5 m/s<sup>2</sup>

Total vibration values ( Drilling in metal )  
Vibration emission value ah 1.5 m/s<sup>2</sup>  
Uncertainty K 2.5 m/s<sup>2</sup>

Total vibration values ( Screwdriving )  
Vibration emission value ah 1.5 m/s<sup>2</sup>  
Uncertainty K 2.5 m/s<sup>2</sup>

Noise/vibration information  
Sound pressure level 102 dB(A)  
Sound power level 91 dB(A)  
Uncertainty K 3 dB