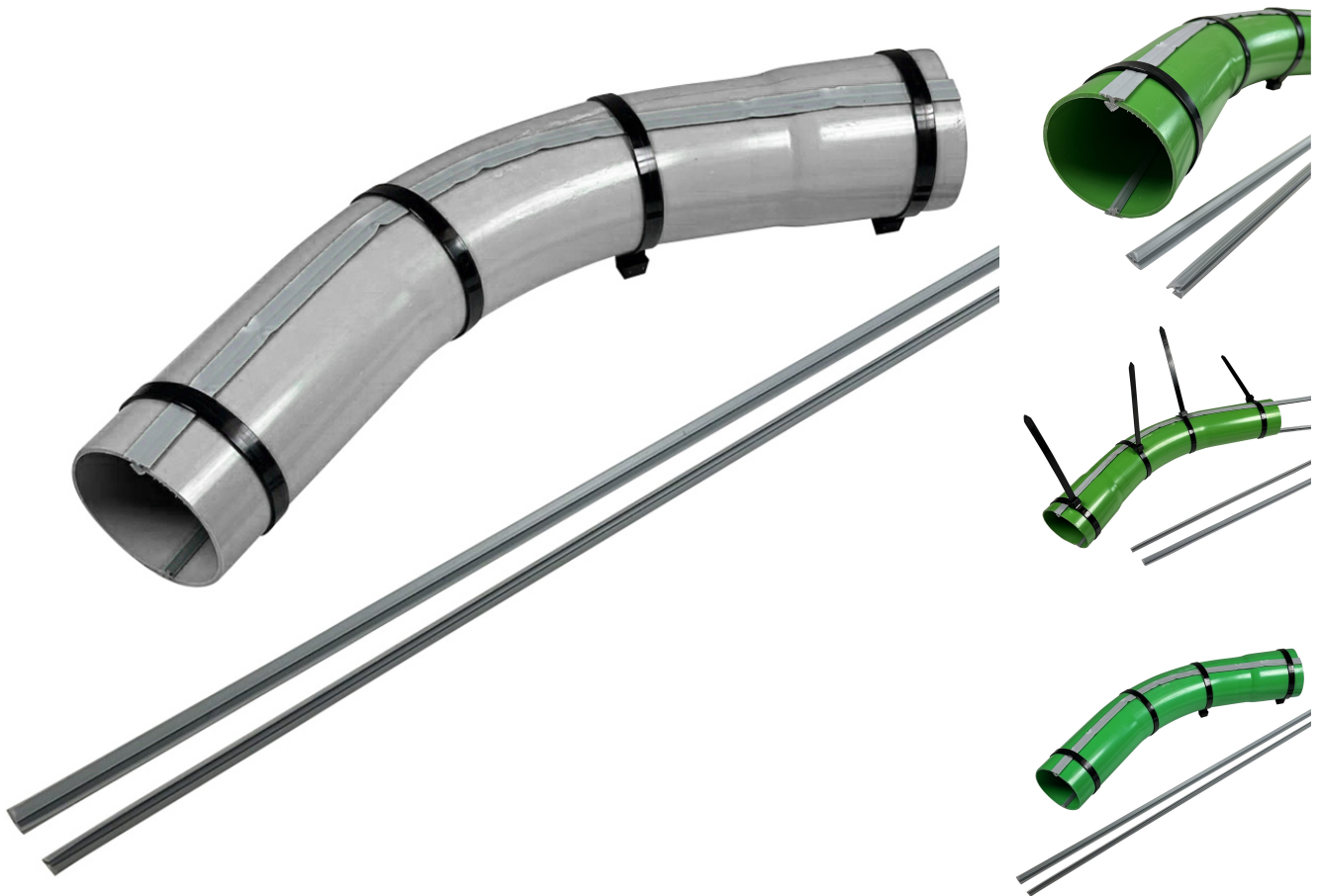
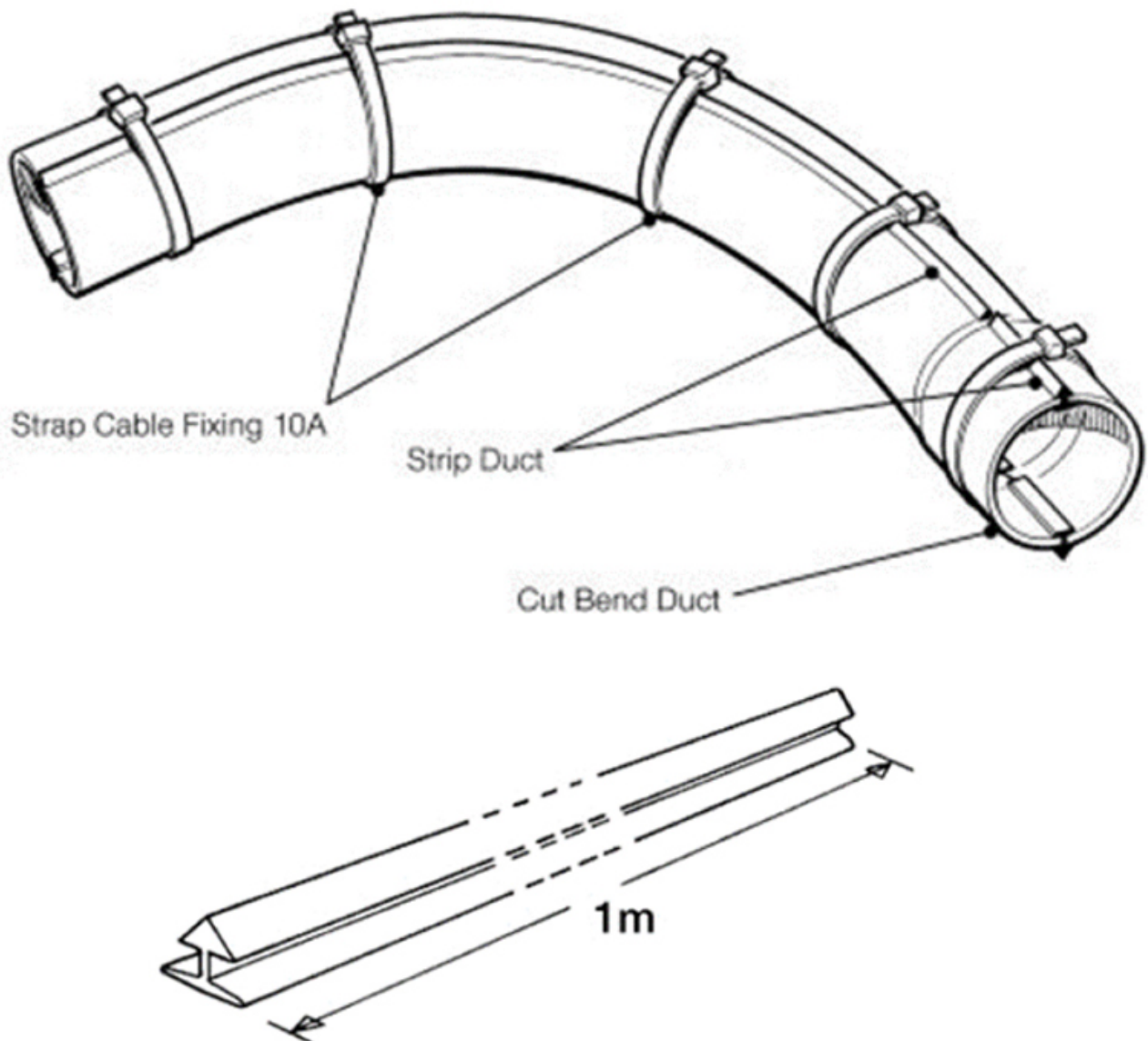


Strip Duct 54D - Pack of 20

Product Images

Product Code: S83-6050





Short Description

An H section PVC extruded strip to join together the two edges of a Bend Duct 54 when cut longitudinally for placing around cables, for in situ renewals.

Supplied in a pack of 20.

Ref 094979 (FTE0331)

Description

An H section PVC extruded strip to join together the two edges of a Bend Duct 54 when cut longitudinally for placing around cables, for in situ renewals.

A Split Duct Bend can be produced by cutting a standard Bend Duct along its length.

The split bend can then be placed around the cables, and the edges held together with two lengths of Strip Duct 54D.

The two halves can then be held together with S83-0896 Straps Cable Fixing 10A.

For a more secure fixing , the bend and Strip Duct also may be bonded with S83-2750 Compound 21.

Length: 1 metre

Supplied in a pack of 20.

Ref 094979 (FTE0331)