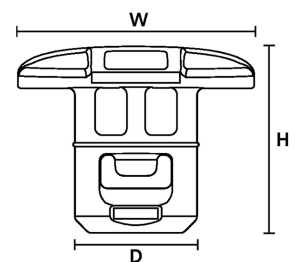
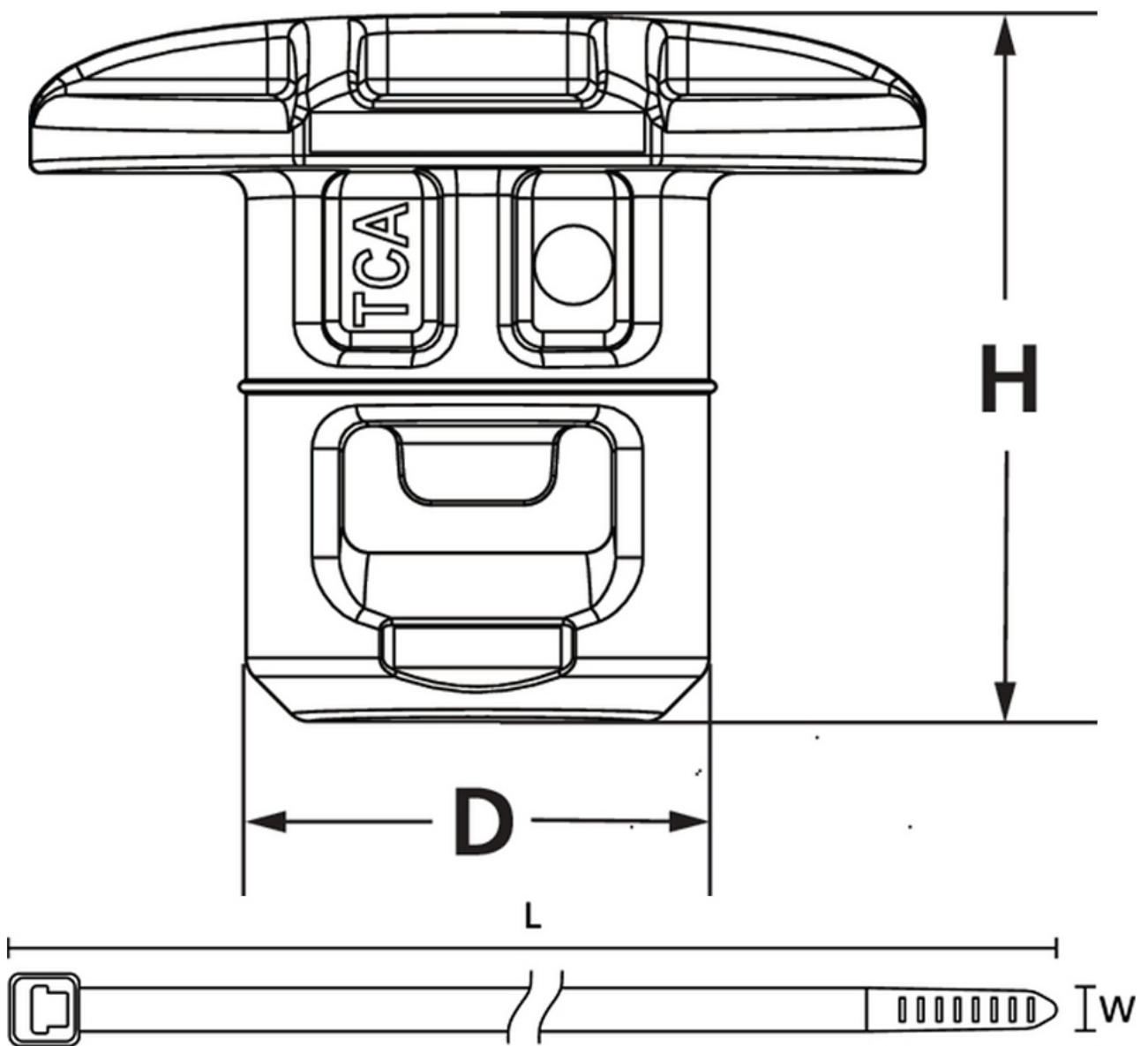


Fixing Tie UV-Resistant with Button Mount Pk500

Product Images

Product Code: R02-1950





Short Description

UV-Resistant Fixing Tie with Button Mount supplied in a pack of 500.

Material Polyamide 6.6, high impact modified, heat and UV-stabilised (PA66HIRHSUV)

Releasable Closure (Yes/No) No

Tie Closure plastic pawl

Bundle Ø max. 50.0mm

Bundle Ø min. 4.0mm

For Hole Ø 9.0 x 12.0 mm, 9.0 x 14.0 mm

For Panel Thickness min - max - 3

Height (H) 13.40mm

Length (L) 203.2mm

<https://www.millsLtd.com/default/fixing-tie-uv-resistant-with-button-mount-pk500.html>

27/04/2024

Min.Tensile Strength 225.0N

Width (W) 17.0mm

Ø (D2) 17.0mm

Ø D2 (imperial) 0.67"

ELV compliant Dir. Art. 4 (2) YES

Flammability UL 94 HB

Halogen free Yes

Operating Temperature - °C -40 °C to +105 °C, (+105 °C for 500 h)

Pack size 500

HellermannTyton Art.-No. 156-02512 | T50RPBM9SET-PA66HIRHSUV-BK

Description

UV-Resistant Fixing Tie with Button Mount supplied in a pack of 500.

Specifications

Material Polyamide 6.6, high impact modified, heat and UV-stabilised (PA66HIRHSUV)

Releasable Closure (Yes/No) No

Tie Closure plastic pawl

Bundle Ø max. 50.0mm

Bundle Ø min. 4.0mm

For Hole Ø 9.0 x 12.0 mm, 9.0 x 14.0 mm

For Panel Thickness min - max - 3

Height (H) 13.40mm

Length (L) 203.2mm

Min.Tensile Strength 225.0N

Width (W) 17.0mm

Ø (D2) 17.0mm

Ø D2 (imperial) 0.67"

ELV compliant Dir. Art. 4 (2) YES

Flammability UL 94 HB

Halogen free Yes

Operating Temperature - °C -40 °C to +105 °C, (+105 °C for 500 h)

Pack size 500

HellermannTyton Art.-No. 156-02512 | T50RPBM9SET-PA66HIRHSUV-BK