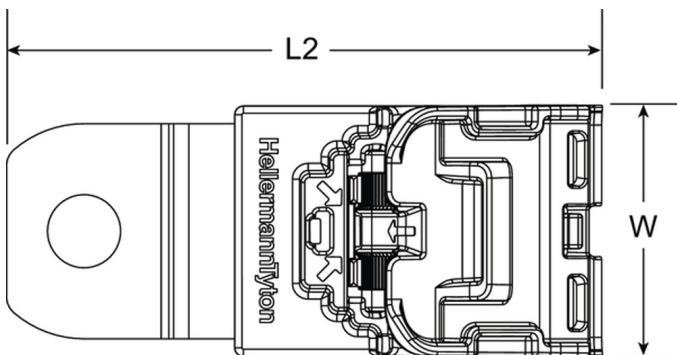
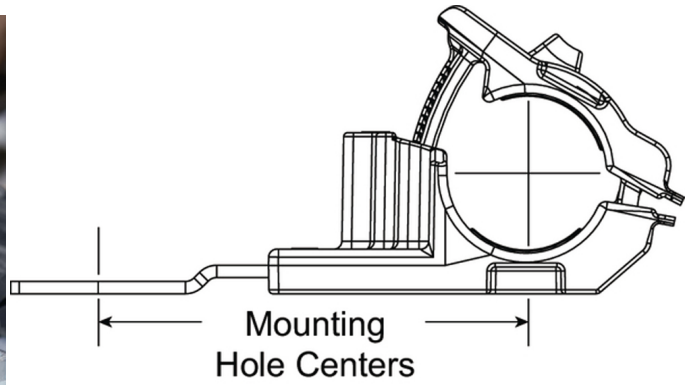


# HellermannTyton Ratchet P- Clamp UV-Resistant Max Bundle 19.5mm Pk280

Product Images

Product Code: R02-1968





## Short Description

The Ratchet P-Clamp family offers versatility when managing wires, cables and hoses. The robust design and durable materials make it ideal for heavy duty applications, both in- and outdoors.

The one-piece adjustable clamp can be closed by hand to the desired diameter. The release feature provides easy and nondestructive removal of cables simply by using a flat-head screwdriver. This nondestructive release allows the clamp to be reused without removing or replacing any bolts or screws. The Ratchet P-Clamp is offered in four sizes and multiple mounting configurations.

### Features

- One-piece ratchet closure design allows for easy installation during pre- or final assembly
- Multiple configurations handle a wide range of diameters and applications, reducing part inventory
- Clamp interior is designed to guide and center bundle to reduce pinching
- Easy release feature allows for quick adjustments and maintenance
- Impact modified, heat and UV stabilized PA66 provides long-term durability, in- and outdoors
- Steel mounting plate tolerates high torque mounting and is treated to resist chemicals and salt spray

CE Certification No

2

<https://www.millsstd.com/default/hellermannnyton-ratchet-p-clamp-uv-resistant-max-bundle-19-5mm-pk280.html>

24/04/2024

CSA Certified No  
ELV compliant Dir. Art. 4 (2) YES  
Flammability UL 94 HB  
Halogenfree Yes  
Operating Temperature - °C -40 °C to +105 °C, (+105 °C for 500 h)  
Plenum Rating AH-2  
Stamping Material Steel (ST)  
UL Listed (US and Canada) Yes  
UL Recognized (US and Canada) No  
UL-File Number E64139  
UV-Resistant (Yes/No) Yes

Fixing Hole M10

Bundle min 12.7mm

Bundle max 19.5mm

Dimensions 34.9 x 83.1mm

Supplied in a pack of 280

HellermannTyton Art.-No. 151-01390 | RCB180SM10-PA66HIRHSUV/ST/ZN-BK

## Description

---

The Ratchet P-Clamp family offers versatility when managing wires, cables and hoses. The robust design and durable materials make it ideal for heavy duty applications, both in- and outdoors.

The one-piece adjustable clamp can be closed by hand to the desired diameter. The release feature provides easy and nondestructive removal of cables simply by using a flat-head screwdriver. This nondestructive release allows the clamp to be reused without removing or replacing any bolts or screws. The Ratchet P-Clamp is offered in four sizes and multiple mounting configurations.

### Features

- One-piece ratchet closure design allows for easy installation during pre- or final assembly
- Multiple configurations handle a wide range of diameters and applications, reducing part inventory
- Clamp interior is designed to guide and center bundle to reduce pinching
- Easy release feature allows for quick adjustments and maintenance
- Impact modified, heat and UV stabilized PA66 provides long-term durability, in- and outdoors
- Steel mounting plate tolerates high torque mounting and is treated to resist chemicals and salt spray

CE Certification No

CSA Certified No

ELV compliant Dir. Art. 4 (2) YES

Flammability UL 94 HB

Halogenfree Yes

Operating Temperature - °C -40 °C to +105 °C, (+105 °C for 500 h)

Plenum Rating AH-2

Stamping Material Steel (ST)

UL Listed (US and Canada) Yes

UL Recognized (US and Canada) No

UL-File Number E64139

UV-Resistant (Yes/No) Yes

Fixing Hole M10

Bundle min 12.7mm

Bundle max 19.5mm

Dimensions 34.9 x 83.1mm

Supplied in a pack of 280

HellermannTyton Art.-No. 151-01390 | RCB180SM10-PA66HIRHSUV/ST/ZN-BK